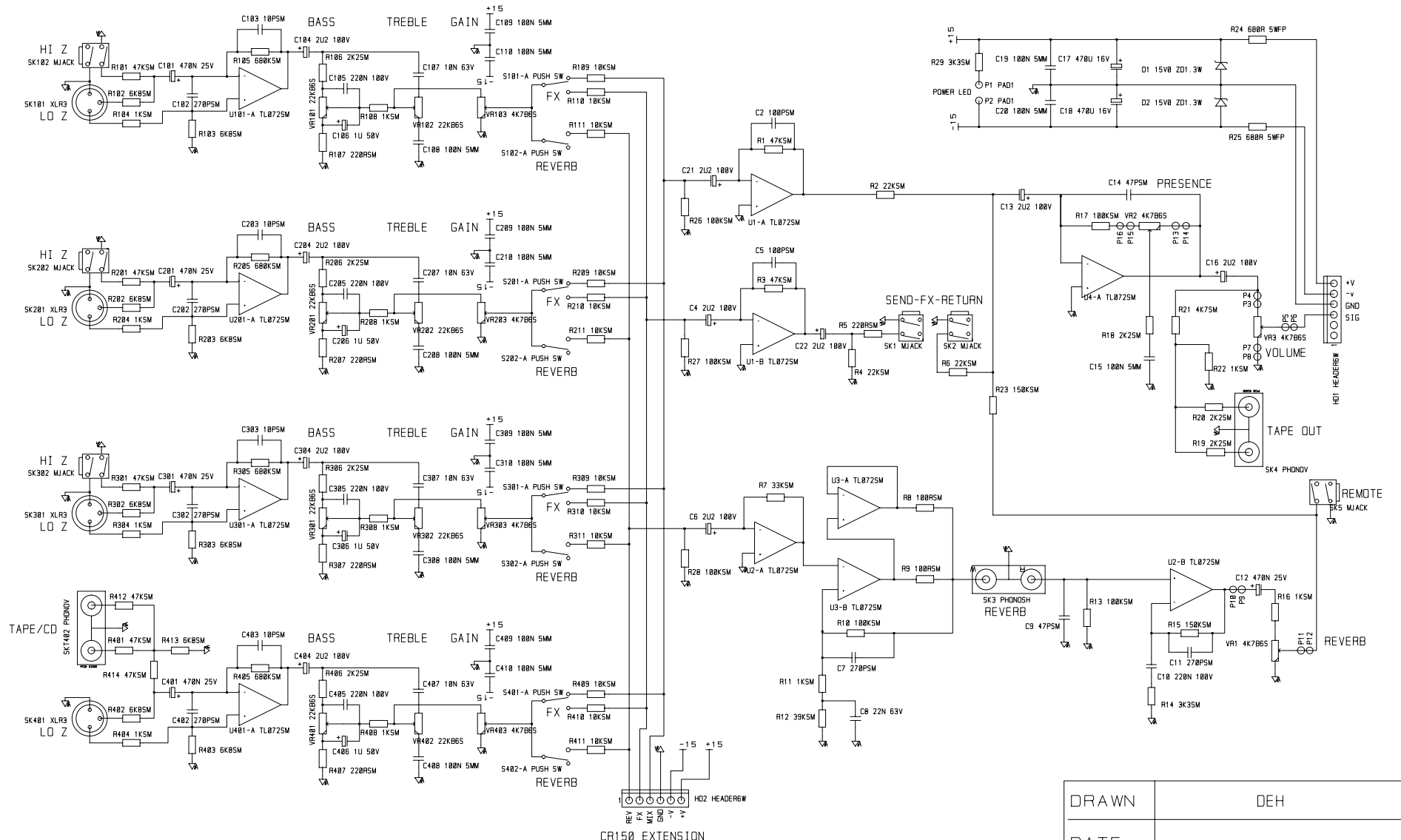


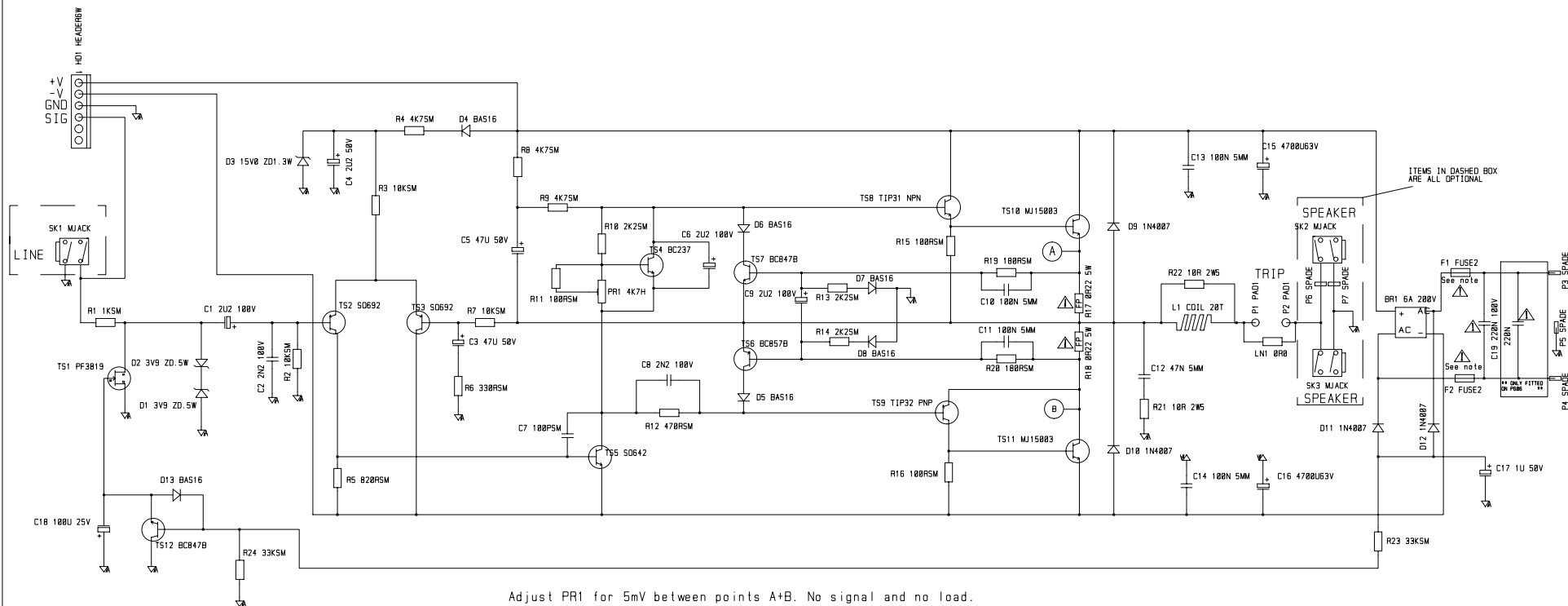
Laney

Service Diagrams



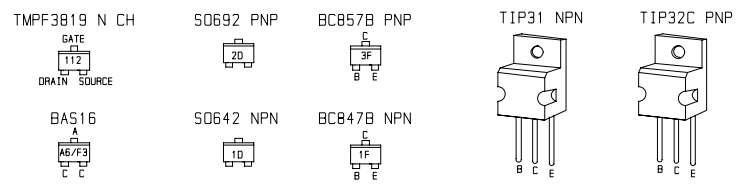
DRAWN	DEH
DATE	13/11/96
TITLE	4 Channel PA Pre-amp
DRW. NO.	9108_2

ISSUE	Used In	Used In
TYPE	CR120 P304M CR150 P304MR	P606S P606SR



Adjust PRI for 5mV between points A+B. No signal and no load.

NOTE: FUSE VALUES FOR F1 & F2.
 100-120 WATT = F3.15A
 150 WATT = F4A



INDICATES SAFETY CRITICAL COMPONENT.
 MUST ONLY BE REPLACED WITH APPROVED COMPONENT.

FLAMEPROOF RESISTOR. MUST ONLY BE REPLACED WITH SAME TYPE AND RATING.

DRAWN	DEH
DATE	17/10/96
TITLE	100/120/150 OUTPUT

ISSUE	3	3	4	4		
TYPE	LAYOUT CHANGE 22/01/97	R8 & R9 CHANGED FROM 2K2 TO 4K7 - 7/4/97 SEE CHANGE NOTE No.96	SPEAKER SPADE TERMINALS ADDED 08/04/98	1 off 220nF 100V ADDED ACROSS C19 P6065 ONLY		DRW. NO. 9115