

# Laney

Concept



## **CR410 Mixer/Amplifier Service Information**

**A new Concept  
for a new millennium**

**Part Number - SM3037**

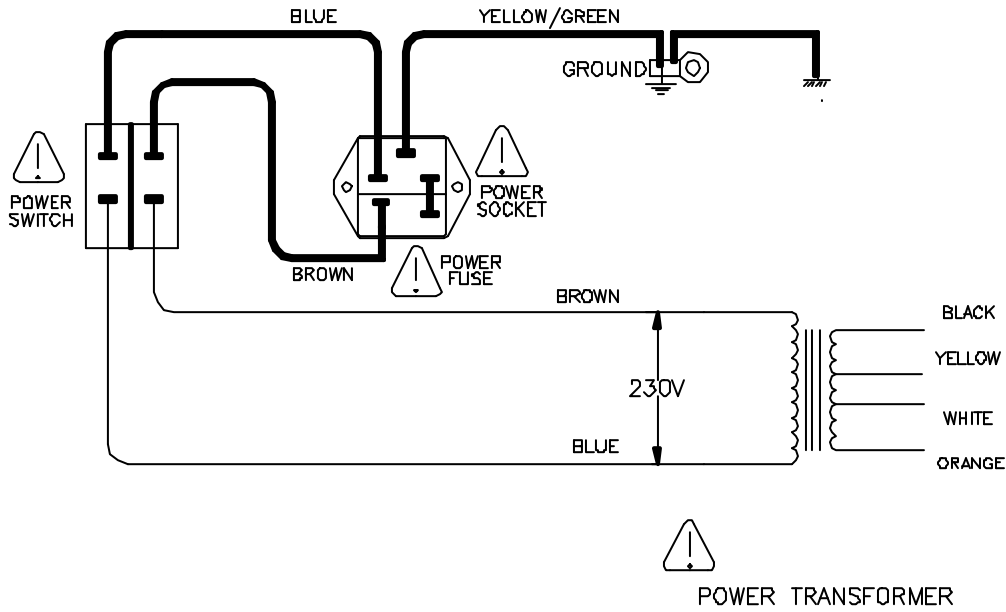
# Laney

Concept

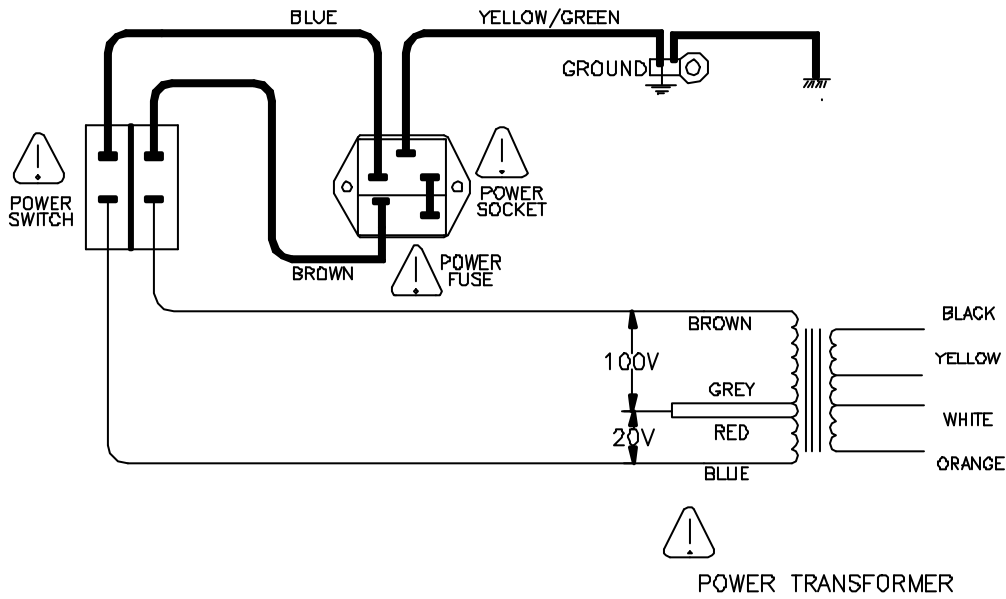
## Contents

- 1.DWG 3042 Service Schematic
- 2.DWG 2615 Mains Wiring
- 3.DWG 3021 Block Diagram
- 4.DWG 9318A Preamp Diagram (Issue 2)
- 5.DWG 9318A Preamp Diagram (Issue 3)
- 6.DWG 9318B Power Amp Diagram (Issue 2)
- 7.DWG 9318B Power Amp Diagram (Issue 3)
- 8.PCB Assembly List
- 9.Final Assembly List
- 10.Cabinet Assembly List
- 11.Contact





POWER TRANSFORMER



POWER TRANSFORMER

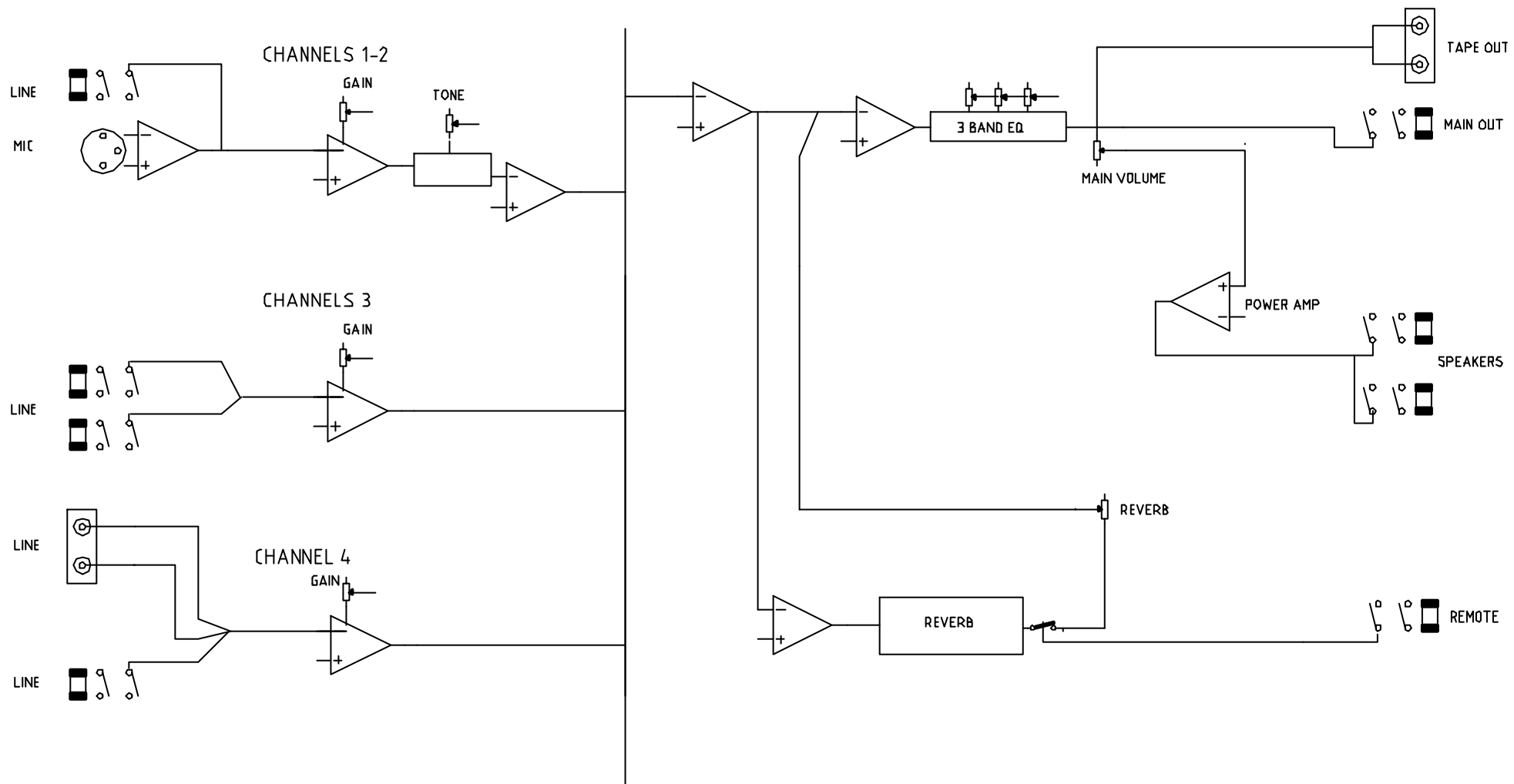
⚠ = ONLY REPLACE WITH SAME TYPE AND RATING

ISSUE	DESCRIPTION	APPD.	DATE

**BLT**  
Industries Ltd.

**TITLE**  
MAINS WIRING FOR  
TRANSFORMER  
PART No

DRAWN	TRACED	CHECKED	APPROVED	DATE
R.J.F				28/03/97
DRAWING No.		2615		

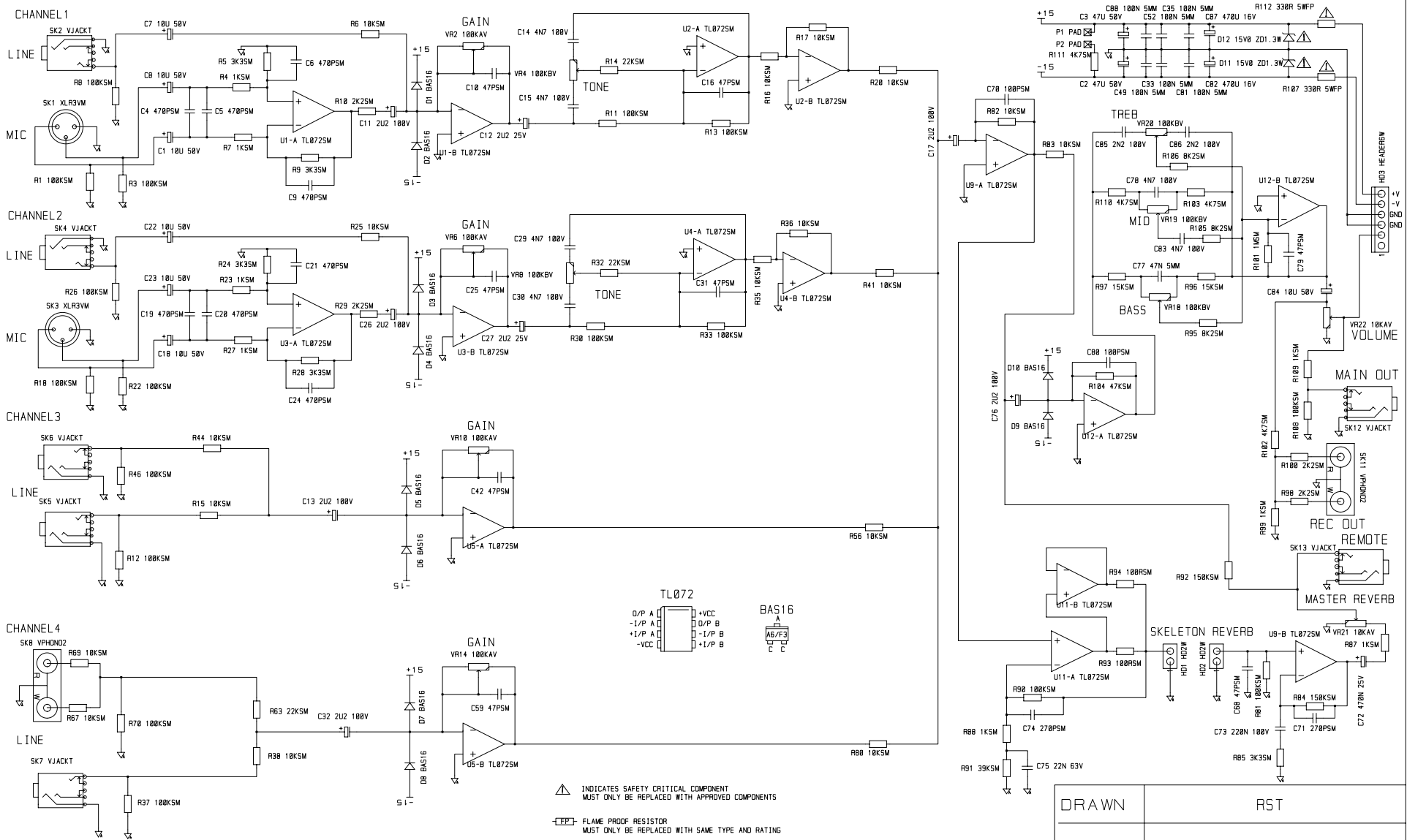


*Return To Contents*

ISSUE	DESCRIPTION	APPD.	DATE	TITLE	DRAWN	TRACED	CHECKED	APPROVED	DATE
				<b>CR410</b> <b>BLOCK DIAGRAM</b> PART No	DEH				10/09/99
					DRAWING No.		3021		

**BLT**  
Industries Ltd.





△ INDICATES SAFETY CRITICAL COMPONENT  
MUST ONLY BE REPLACED WITH APPROVED COMPONENTS

⊞ FLAME PROOF RESISTOR  
MUST ONLY BE REPLACED WITH SAME TYPE AND RATING

ISSUE 3  
FIXED MAIN OUT, POST VOL

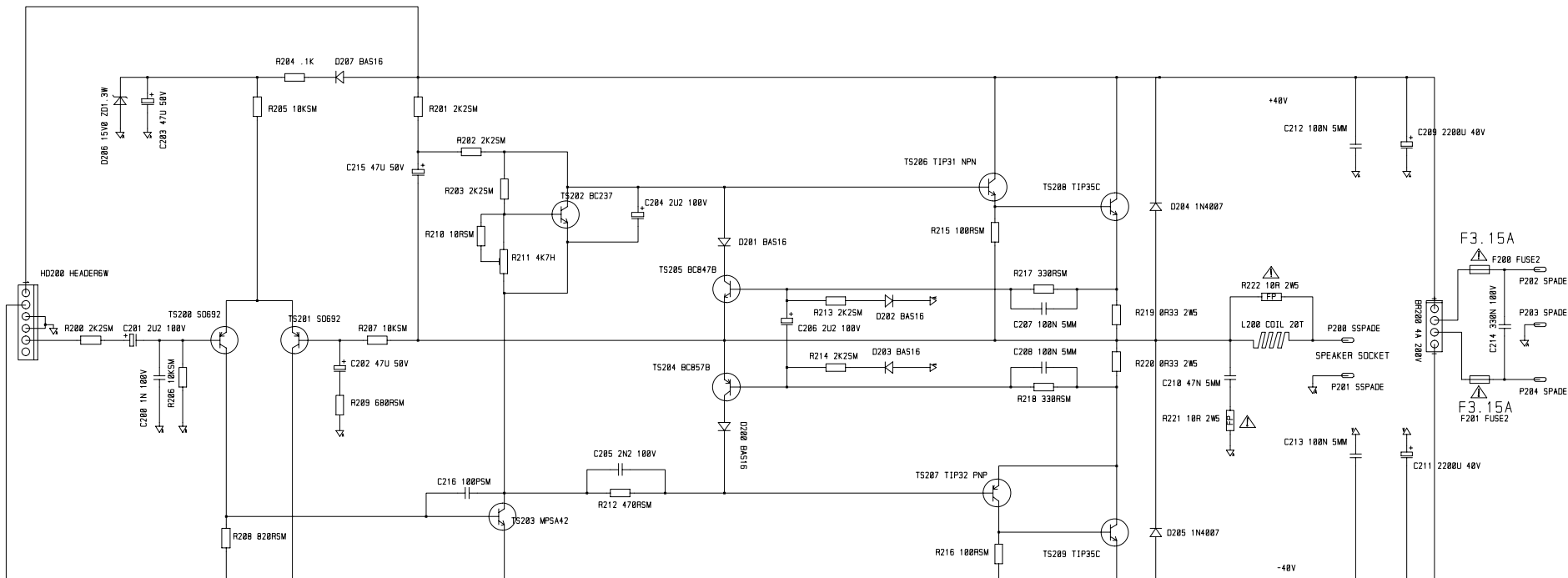
*Return To Contents*

DRAWN	RST
DATE	22/02/00
TITLE	CR410 PREAMP
DRW. NO.	9318A_3

TYPE

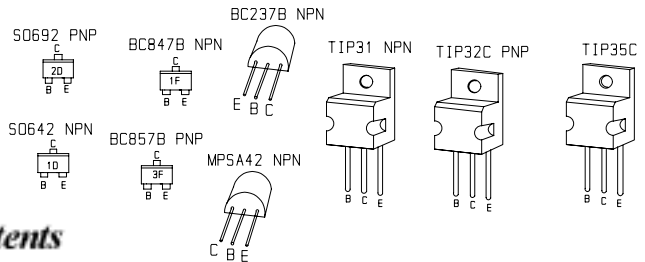






PLEASE NOTE:  
THIS PCB IS A SNAP OFF FROM THE MAIN PREAMP PCB 9318

***Return To Contents***



INDICATES SAFETY CRITICAL COMPONENT  
MUST ONLY BE REPLACED WITH APPROVED COMPONENTS

FLAMEPROOF RESISTOR  
MUST ONLY BE REPLACED WITH SAME TYPE AND RATING

ISSUE							
TYPE							

DRAWN	R. S. T
DATE	22/02/00
TITLE	CR410 OUTPUT PCB
DRW. NO.	9318B_3

Assembly List For ( 006349 ) PCB Assembly

Stock Code	Item	Qty Req
1003	1K .25W RESISTOR	1
1300	ORO SHORTING LINK	23
1301	10R 5% RESISTOR	1
1303	100R 5% RESISTOR	4
1304	820R 5% RESISTOR	1
1305	2K2 5% RESISTOR	10
1306	10K 5% RESISTOR	21
1309	1M 5% RESISTOR	3
1310	100K 5% RESISTOR	15
1311	470R 5% RESISTOR	1
1312	4K7 5% RESISTOR	5
1314	8K2 5% RESISTOR	5
1316	22K 5% RESISTOR	1
1317	39K 5% RESISTOR	1
1326	3K3 5% RESISTOR	7
1327	1K 5% RESISTOR	8
1329	330R 5% RESISTOR	3
1334	150K 5% RESISTOR	1
1500	10R 2.5W RESISTOR	2
1706	330R 5W RESISTOR	2
1717	0R33 2.5W RESISTOR	2
1920	ZERO OHM RESISTOR	1
2004	47UF 50V RADIAL	5
2013	10UF 50V CAPACITOR	7
2020	470UF 16V RADIAL	2
2024	2.2UF 63V RADIAL	9
2026	.47UF 63V RADIAL	3
2034	2200UF 40V RADIAL	2
2200	220NF 100V 10MM	1
2405	330NF 100V 15MM	1
2413	1N5 100V 5mm	1
2415	2.2NF 100V 5mm	8
2419	100NF 63V 5mm	10
2420	22NF 100V 5mm	1
2425	47NF 100V 5mm	2
2426	15NF 100V 5mm	1
2602	47PF 50V 10% COG	5
2603	100PF 50V 10% COG	5
2604	270PF 50V 10% COG	2
2605	470PF 50V 10% COG	8
3000	1N4007 DIODE	2
3014	15V 1.3W ZENER	3
3025	BRIDGE 4A200V INLINE	1
3405	BC237 TRANSISTOR	1
3411	MPSA42/43 TRANSISTOR	1
3500	BAS16 TRANSISTOR	15
3502	SO692 TRANSISTOR	2

3503	BC847B TRANSISTOR	1
3504	BC857B TRANSISTOR	1
3508	34072 IC (SMD TL072)	8
3610	TIP31C TRANSISTOR	1
3611	TIP32C TRANSISTOR	1
3618	TIP35C TRANSISTOR	2
4018	4K7 HORIZ PRESET	1
4105	B100K 37.5mm POT	5
4106	A100K 37.5mm POT	4
4107	A10K 37.5mm POT	2
5006	20 TURN COIL	1
5011	TO3P WASHER	2
5022	PCB FUSE CARRIER	2
5036	6 WAY LOCKING HEADER	2
5066	2 WAY LOCKING HEADER	2
5306	DUAL PHONO VERT PC	2
5307	X902-03 XLR	2
5309	6.3MM PHONE JACK	7
5527	20mm F3.15A FUSE	2
5686	NEW SPADE TERMINAL	5
9150	3mm HEX NUT	2
9151	3mm INT SHAKEPROOF	2
9154	3*12mm Z/B PAN POZI	2
9318	CR410 PREAMP	1
588006	POP RIVET (BLACK)	2
8P-8646	CP10 SINK BRACKET	1

Assembly List For ( 007654 ) Final Assembly

Stock Code	Item	Qty Req
5005	NEW TYPE MAINS SOCKT	1
5511	5MM SOLDER TAG	1
5530	20mm T1A FUSE	1
5558	100mm TIE WRAP	10
5658	LONG BOARD SPACER	2
5666	RED P402 KNOB	4
5667	BLUE P402 KNOB	5
5668	BEIGE P402 KNOB	1
6349	PCB Assembly	1
8321	CR410 REAR LABEL	1
8701	MXA100 SHORT LOOM	1
9171	M5 INT SHAKEPROOF	2
9181	5mm BRASS HEX NUT	1
9187	NO. 8 SPIRE FASTENER	6
9189	5mm CAGE NUT	1
9204	NO 4*1/4 PLASTITE	7
9214	6*50mm CUP SQUARE	1
9229	8*3/8 FH POZI	2
10004	MONO JACK SOCKET	2
10010	2 SPRING MEDIUM	1
530027	DPST EQ MAINS SWITCH	1
540038	EARTH WARNING LABEL	1
541004	HC25/50 4.8 FASTON	12
580006	REFER 9234	2
584063	6mm SPLIT WASHER	1
588006	POP RIVET (BLACK)	2
8P-8841	CR410 FACIA	1
8P-8842	CR410 REAR	1
8P-8843	CR410 CHASSIS	1
8T-6140	CR410 MAINS	1

Assembly List For ( 20463 ) Cabinet Assembly

Stock Code	Item	Qty Req
10039	PENN CORNER C1839K	8
10055	PLASTIC CABINET FOOT	4
10100	STRAP HANDLE	1
10200	M5 x 10mm TEENUT	2
10202	5mm X 25mm CSK POZI	2
10209	5*35mm PAN POZI	4
10224	35mm FINISHED NAILS	12
10225	STAPLES 97/12	3
10234	No 8 X 3/4 CSK POZI	16
10301	18mm CHIPBOARD	0
10321	DB CARPET 1.5M WIDTH	0
10455	CARTON CR410	1
10600	32/18 STAPLES	10
10621	POLY. BAG 30(0) X 36	1
10629	MASKING TAPE 1.5"	1
584000	NO6*1/2 FLANGE POZI	4
8P-8857	VENT	1

# Concept

## Laney

**Newlyn Road  
Cradley Heath  
West Midlands  
B64 6BE  
U.K.**

**<http://www.laney.co.uk>**