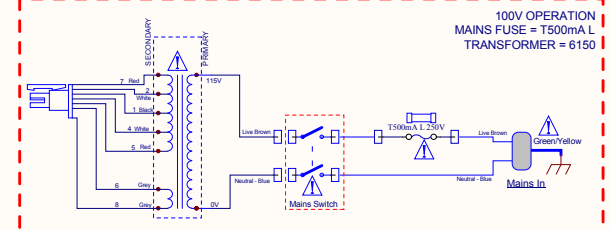
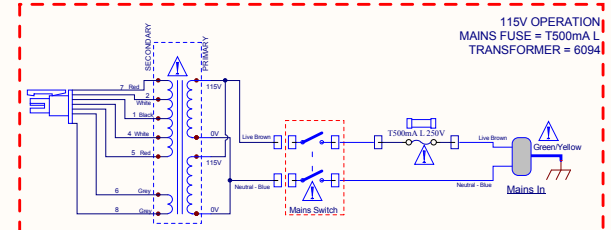
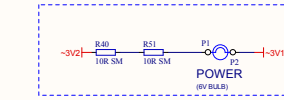
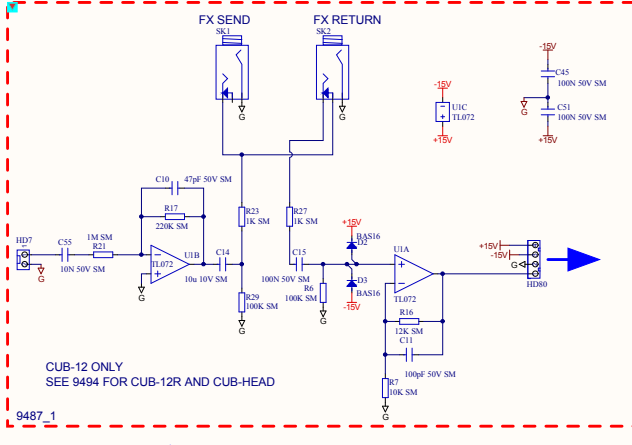
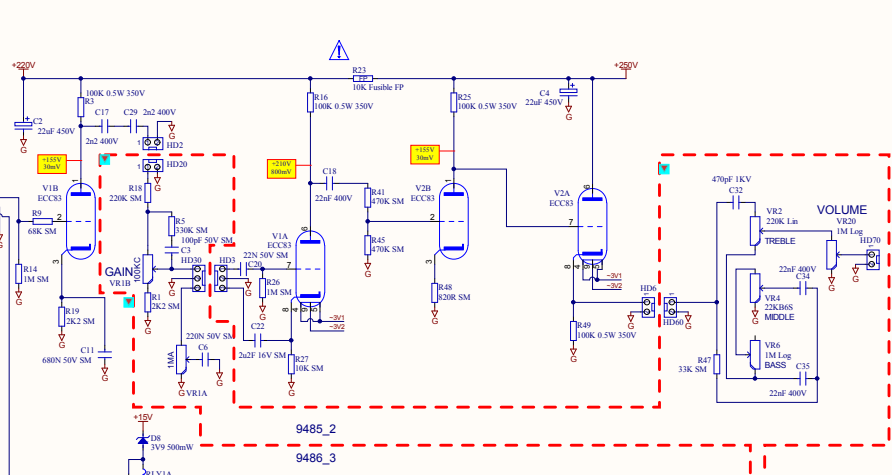
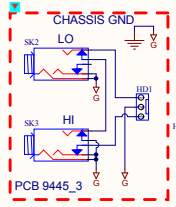


CUB-12R

Service Information

Laney
POWER TO THE MUSIC
www.laney.co.uk

Input Sensitivity: Hi 500mV, Lo 1mV
Gain: EQ at 10, Volume at 5, Typical levels



ADJUST TO -12.5V WITH TR1

BIAS ADJUST

WIRE LINK (DOUBLE INSULATED)

HUM ADJUST

EXTERNAL SPEAKER

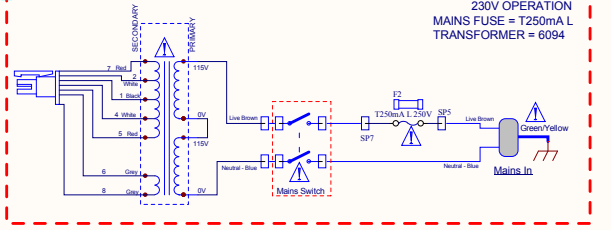
INTERNAL LOUSPEAKER

NOT CUB-HEAD, SEE 9495

OUTPUT FX = 6093

Cub-12	Cub-12R	Cub-Head
470R 3W	100R 3W	100R 3W

F1, F2 = RXEF030 POLYSWITCH



Indicates safety critical component
Must only be replaced with approved type
FRP = Flame Proof Resistor
Must only be replaced with same type and rating.

MAE-7T MAE-7T
MAE-7T MAE-7T

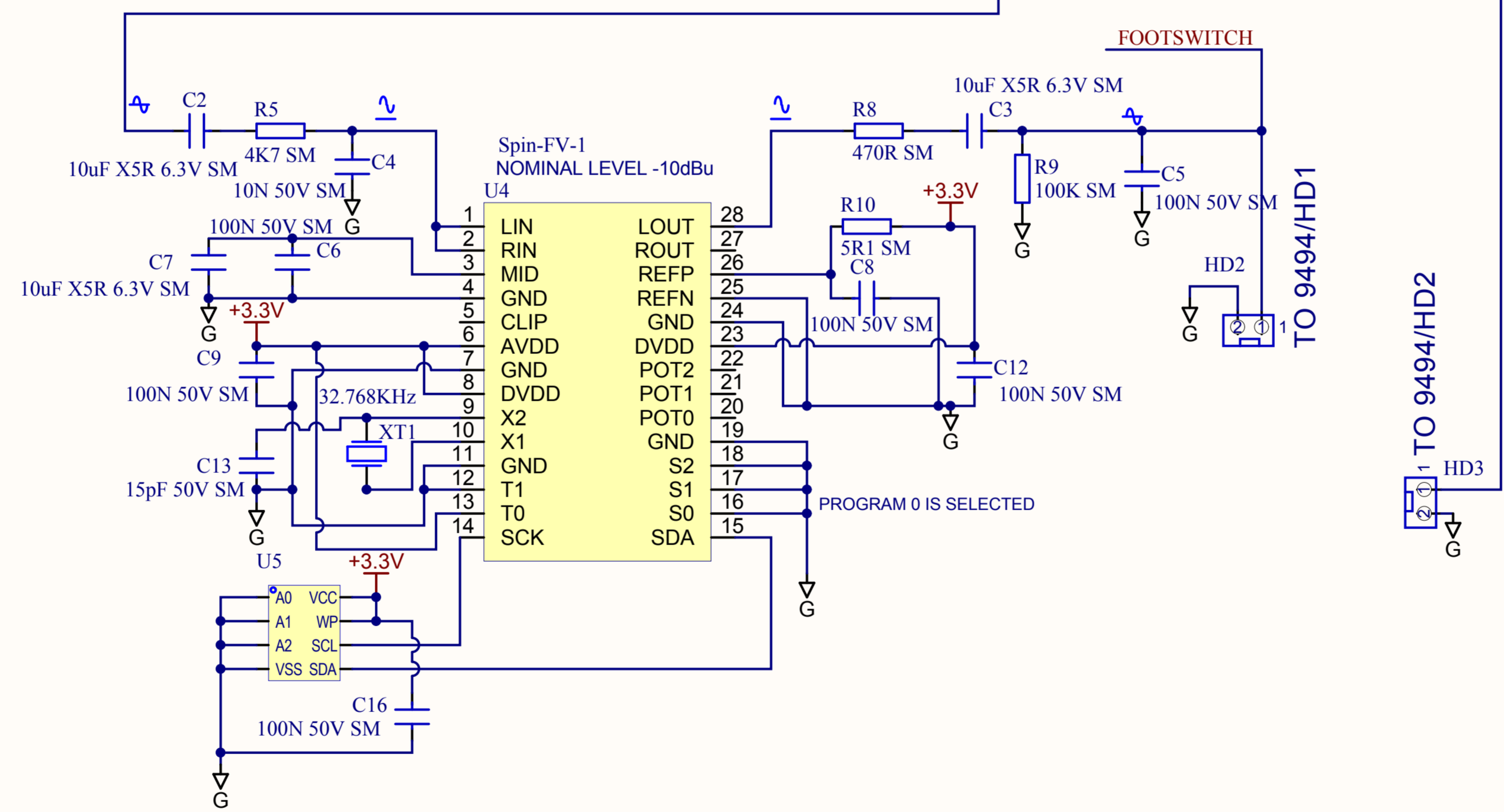
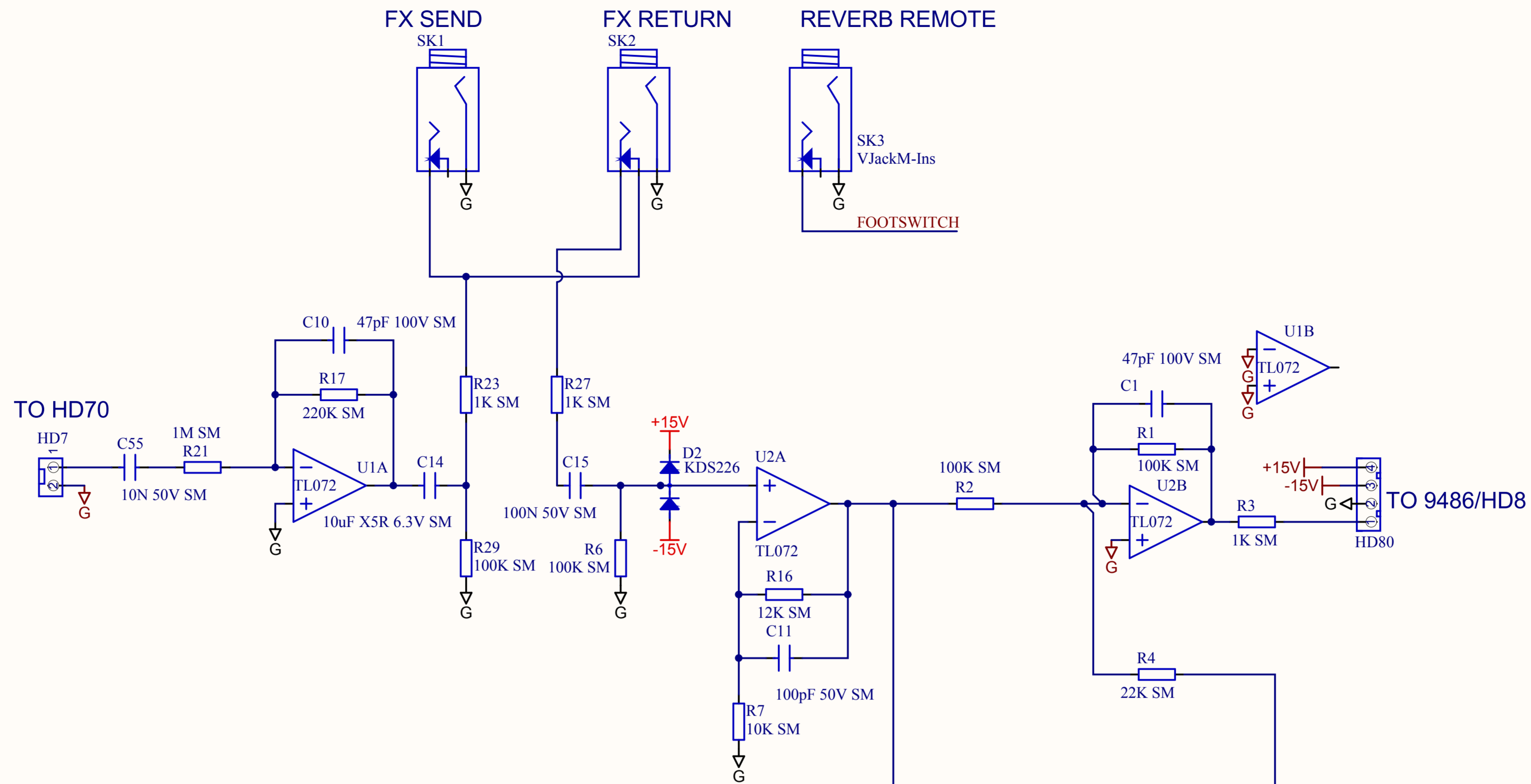
Title: CUB-12/R/HEAD SYSTEM SCHEMATIC
Size: A3 Number: 1 Revision: 3
Date: 09/08/2011 Time: 14:09:57 Sheet 1 of 1
Original File: 9485.SchDoc

Steelark Road
Coombs Wood
Industrial Estate West
Halesowen
UK
www.laney.co.uk

Laney
POWER TO THE MUSIC

ADJUST BIAS ON JUNCTION OF R13/R28 TO -12.5V USING TR1
ADJUST HEATER BALANCE USING TR2

PCB-12-M4



Title: CUB-12R/HEAD FX LOOP / REV PCB		
Size: A3	Number: 9493	Revision: 2
Date: 16/02/2010	Time: 15:30:21	Sheet 1 of 1
Original File: 9493.SchDoc		

Steelpark Road
 Coombs Wood
 Industrial Estate West
 Halesowen
 UK
www.laney.co.uk



CUB-12R SPARE PARTS LIST



Model No. CUB-12R (2010)					
SPARES ITEM	DESCRIPTION			PART No.	ty. in Chassis Assy
Transformers	100V	6150 15W Tube Mains Transformer 100V		006150	1
	120V	6094 15W Tube Mains Transformer 115/230V		006094	1
	230V	6094 15W Tube Mains Transformer 115/230V		006094	1
	O/P	15W Tube Output Transformer		006093	1
Switch	Power	R13-428 DPST Toggle Switch		007658	1
	Lamp	Red Jewel Bulb Holder		007684	1
Wiring Looms	4 Way Ribbon Loom 150mm			007498	1
	3 Way Ribbon Cable 150mm			007706	1
	3 Way Screened Loom 300mm			007757	1
	3 Way Screened Loom 200mm			007519	1
	2 Way Screened Loom 125mm			007977	1
	2 Way Screened Loom 200mm			007518	3
	2 Way Screened Loom 250mm			007491	2
PCB s	9482 - Cub-Range 2010 Speaker Output PCB Complete			007687	1
	6.3 Horizontal Jack Socket-Mono			005002	1
	9445 - Dual Input Jack PCB Complete			007751	1
	6.3 Vert Phone Jack Stereo Gold Plated - Non Insulated Body			007591	2
	9485 - Cub-12 2010 Fascia Control PCB Complete			007763	1
	VR1	Gain	1M / 100K Antilog Dual 6mm Spline (A1M Front/C100K Back)	004116	1
	VR2	Treble	220K Lin Pot 6mm Spline	004065	1
	VR3	Tone	220K Lin Pot 6mm Spline	004065	1
			Bracket	005127	1
	VR4	Mid	22K Lin Pot 6mm Spline	004061	1
	VR6	Bass	1M Log Pot 6mm Spline	004070	1
	VR20	Volume	1M Log Pot 6mm Spline	004070	1
	9486 - Cub-12/R/Head 2010 Tube / PSU PCB Complete			007764	1
	1000uF 25V Radial Electrolytic Capacitor			002009	2
	100 F 450V Radial Electrolytic Capacitor			002030	1
	22 F 450V Radial Electrolytic Capacitor			007204	3
	220R 2.5W Cement Wire Wound Resistor			001501	2
	0.3A Poly Switch JK60-030			007603	2
	DPCO 2A 12V DC Relay Omron G5V-2-H1			007205	1
	9493 - Cub-12R FX Loop + Digital Reverb PCB Complete			007767	1
	6.3mm Jack Socket Vertical (Mono, Gold, Insulated Body)			007374	2
	6.3mm Jack Socket Vertical (Mono, Insulated Body)			007527	1
	9494 - Cub-12R/Head Reverb Pot PCB Complete			007768	1
VR1	Reverb	220K Log Pot 6mm Spline	004078	1	
		Bracket	005127	1	
Tubes Bases	Preamp	ECC83 Tube		005550	3
		B9A Valve Base PCB Mount		007531	3
	O/P	EL84 Tube		005563	2
		Octal Valve Base PCB Mount		007551	2
Cabinet	Cub-12/R 2010 covered cabinet (NO Fittings)			007758	1
	Cub-12/R 2010 Covered Baffle			007759	1
	Medium White Chicken Head Knob (Spline)			007208	6
	Cub-12R 2010 Painted Printed Fascia Metalwork			007771	1
	Rubber Handle Clips Assembly. Drg Ref: 4203			007693	1
	Cub-12/R 2010 Rear Grille. Drg Ref: 4248			007766	1
	Laney Badge (Plastic) (Standard Font) 116mm Drg Ref:4169			007725	1
	90 degree Plastic Corner (Front) 35mm			010052	4
	90 degree Plastic Corner (Rear) 35mm			010053	4
	Rocket 50 8 Ohm			51204	1
	38mm X 15mm Rubber Foot with Steel Insert			007473	4
	Cub-12/R 2010 Tilt Mechanism Drg Ref:4293			007772	1
	Cub-12/R 2010 Carton			007761	1
	Cub-12R 2010 User Manual			007763	1