

Laney

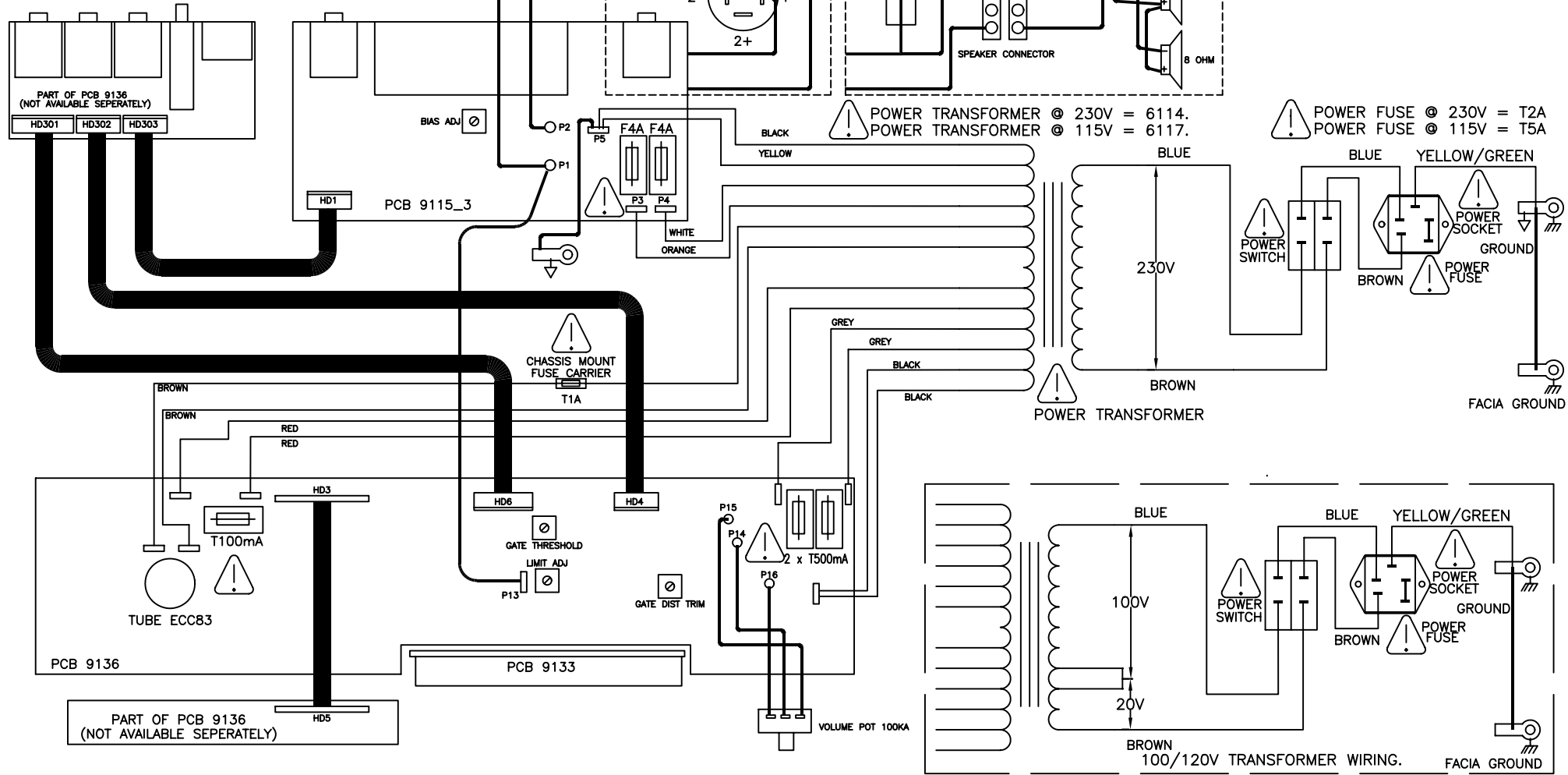
Service Diagrams

WARNING:-
TO AVOID THE RISK OF FIRE
AND ELECTRIC SHOCK
REPLACE ALL FUSES WITH THE
CORRECT TYPE AND RATING ONLY

 = ONLY REPLACE WITH
SAME TYPE AND RATING.

WARNING:-
THIS APPARATUS CONTAINS HIGH VOLTAGES
EVEN AFTER TURNING OFF.
ENSURE HIGH VOLTAGE CAPACITORS ARE DISCHARGED
BEFORE SERVICING

NOTE: WHEN CHANGING THE POWER TRANSFORMER
OR ANY PRIMARY CIRCUIT COMPONENTS
REWIRING MUST BE CARRIED OUT CONFORMING TO IEC65/EN6065



DB150C ONLY

DB150H ONLY

SPEAKON OUTPUT SOCKET

HORN SWITCH

SPEAKER CONNECTOR

POWER TRANSFORMER @ 230V = 6114.
POWER TRANSFORMER @ 115V = 6117.

POWER FUSE @ 230V = T2A
POWER FUSE @ 115V = T5A

CHASSIS MOUNT
FUSE CARRIER
T1A

POWER TRANSFORMER

100V
20V
BROWN
100/120V TRANSFORMER WIRING.

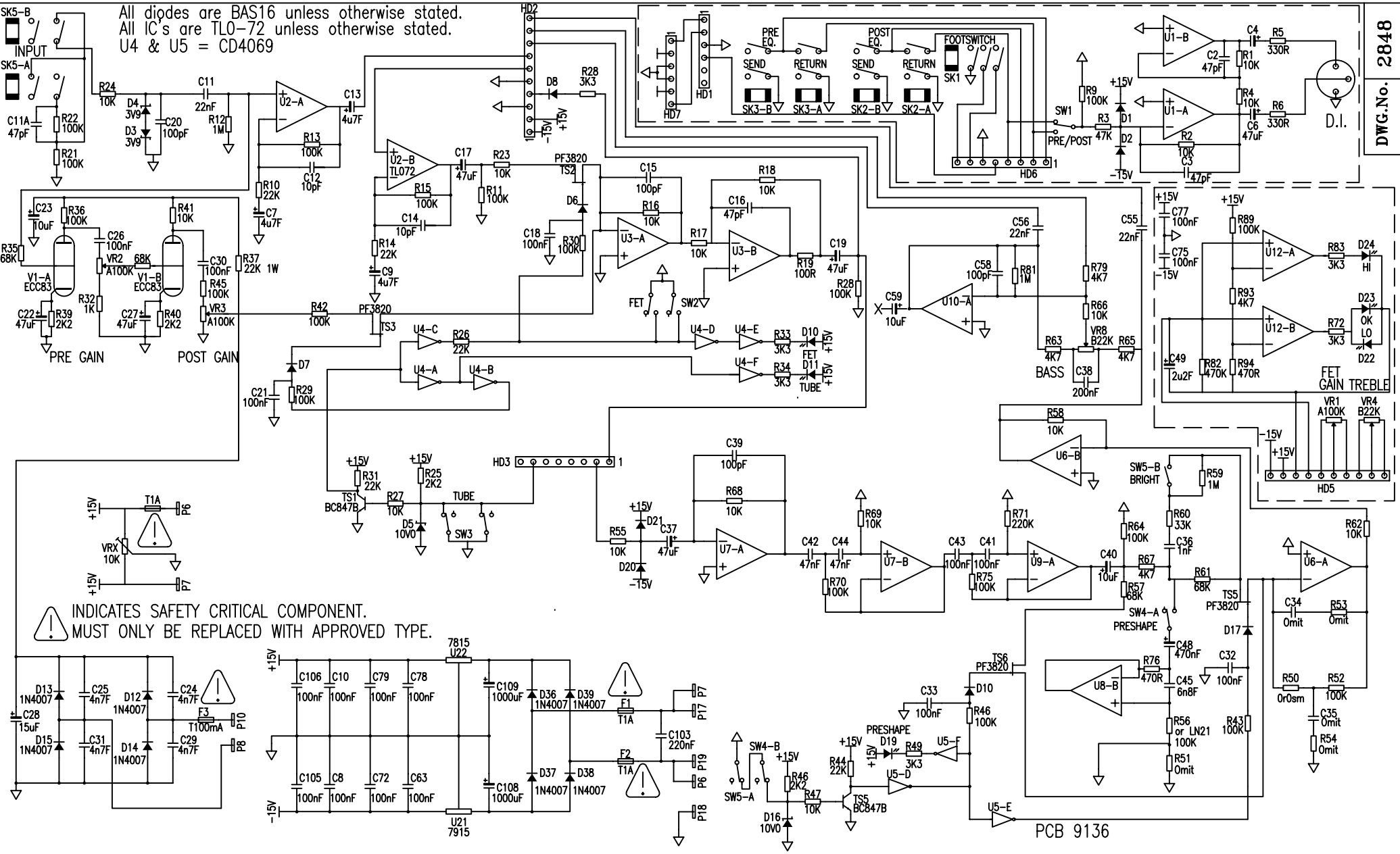
DWG.No. 2676

ISSUE	DESCRIPTION	APPD.	DATE

BLT
Industries Ltd.

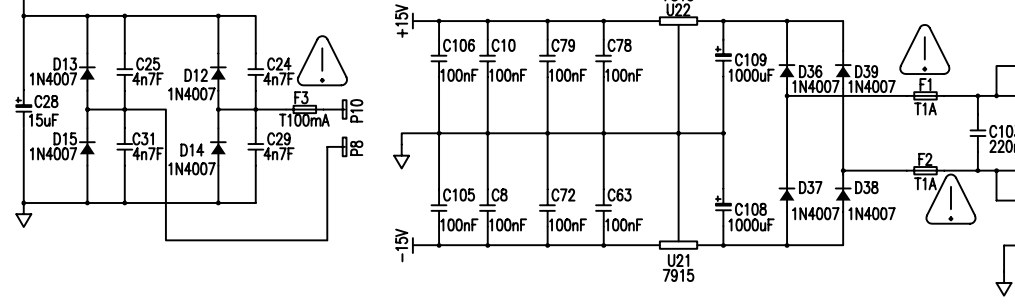
TITLE
DB150/150C
SERVICE DIAGRAM
PART No

DRAWN	TRACED	CHECKED	APPROVED	DATE
DEH				17/09/97
DRAWING No.		2676		



All diodes are BAS16 unless otherwise stated.
 All IC's are TL0-72 unless otherwise stated.
 U4 & U5 = CD4069

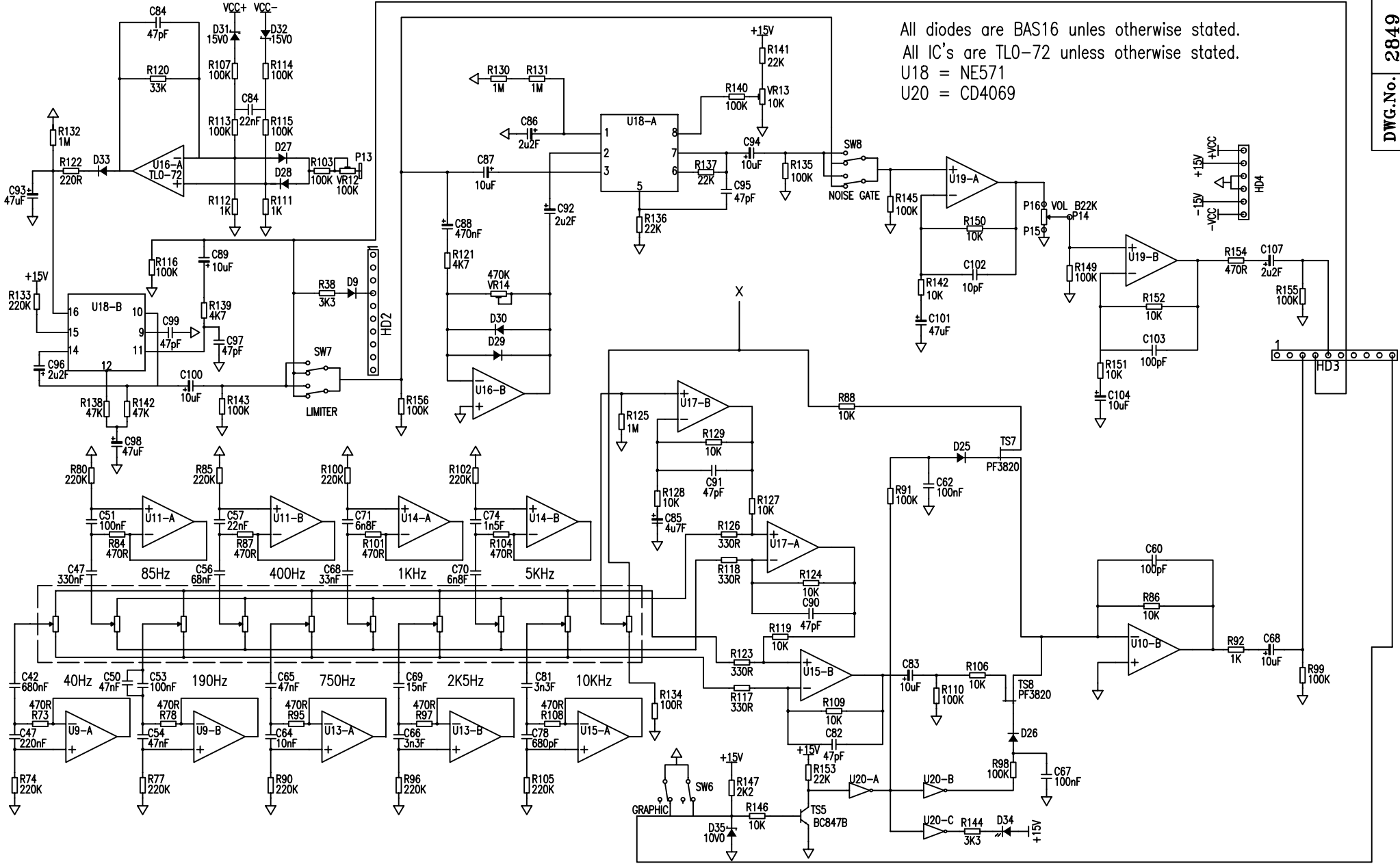
INDICATES SAFETY CRITICAL COMPONENT.
 MUST ONLY BE REPLACED WITH APPROVED TYPE.



PCB 9136

ISSUE	DESCRIPTION	APPD.	DATE	TITLE	DRAWN	TRACED	CHECKED	APPROVED	DATE
				DB150	S.L.				6/8/98
3	See Change Note 250	R.J.F		PREAMP (1 of 2)					
2	R42 10K TO 100K, C38 47n TO 220n, C98 10u TO 47u	S.L.	5/9/97	PART No	DRAWING No. 2848				

BLT
 Industries Ltd.



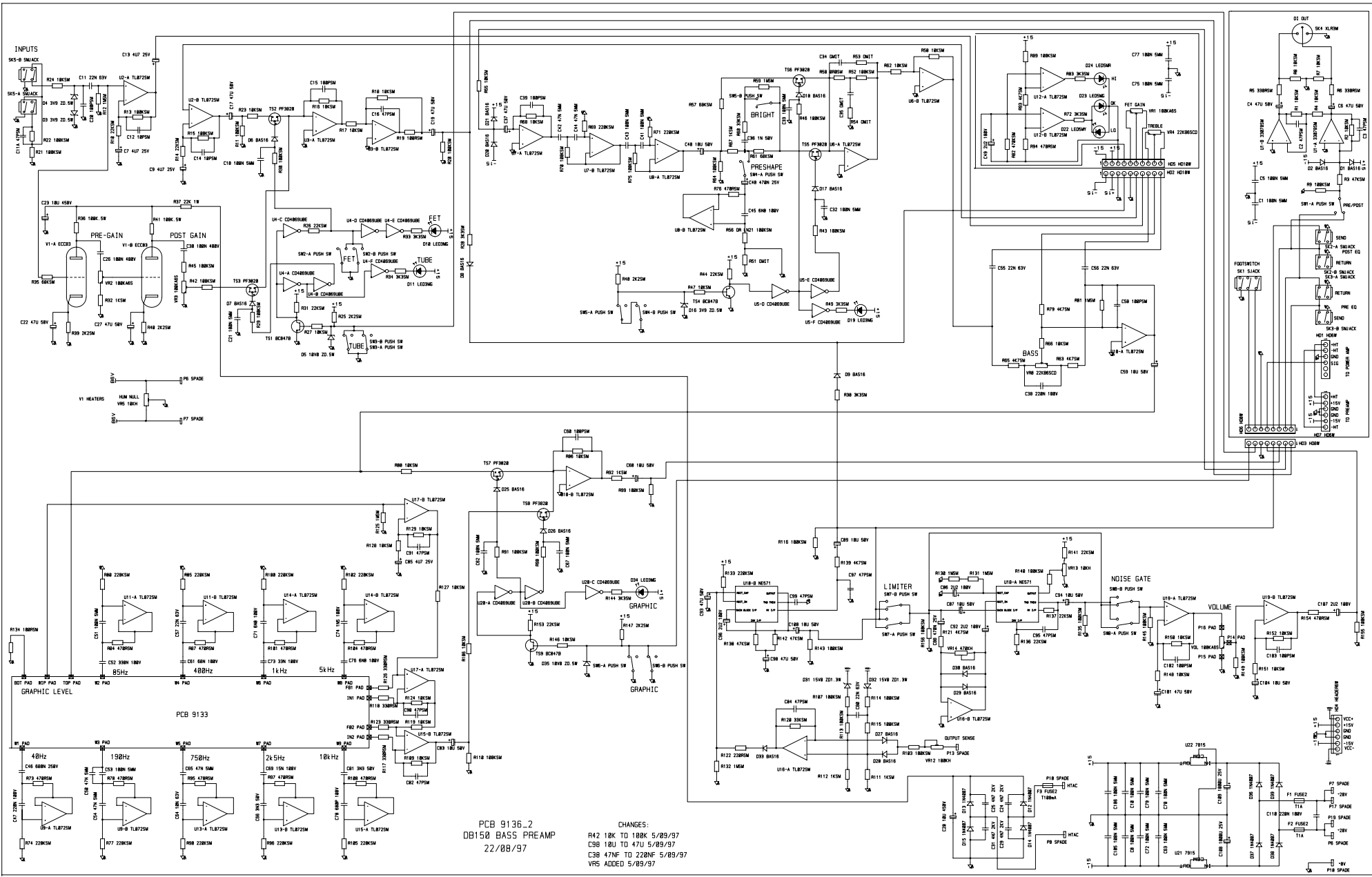
All diodes are BAS16 unless otherwise stated.
 All IC's are TL0-72 unless otherwise stated.
 U18 = NE571
 U20 = CD4069

ISSUE	DESCRIPTION	APPD.	DATE
3	See change Note 250	R.J.F	28/04/99
2	R42 10K TO 100K, C30 47n TO 220n, C98 10U TO 47U	S.L.	5/9/97

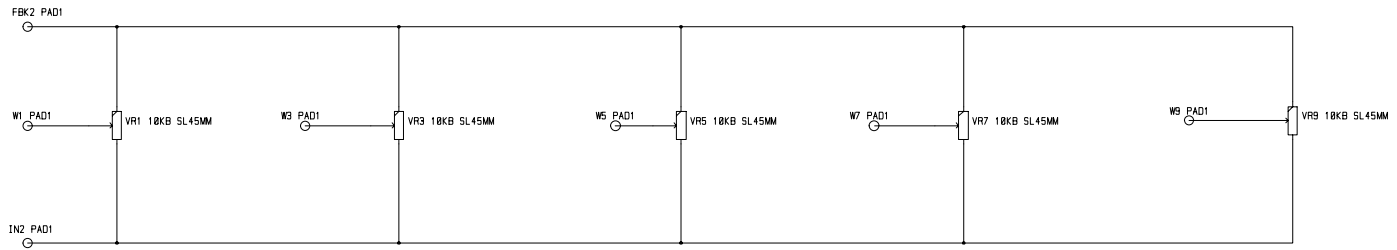
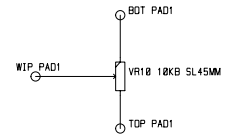
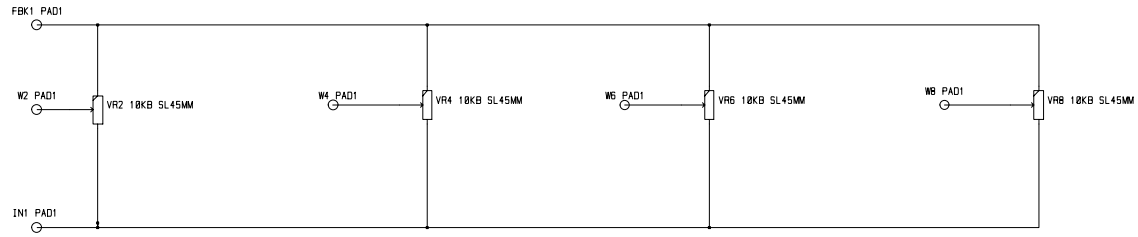
BLT
 Industries Ltd.

TITLE
DB150 PREAMP (2 of 2) PART No

DRAWN	TRACED	CHECKED	APPROVED	DATE
S.L.				17/8/98
DRAWING No.		2849		

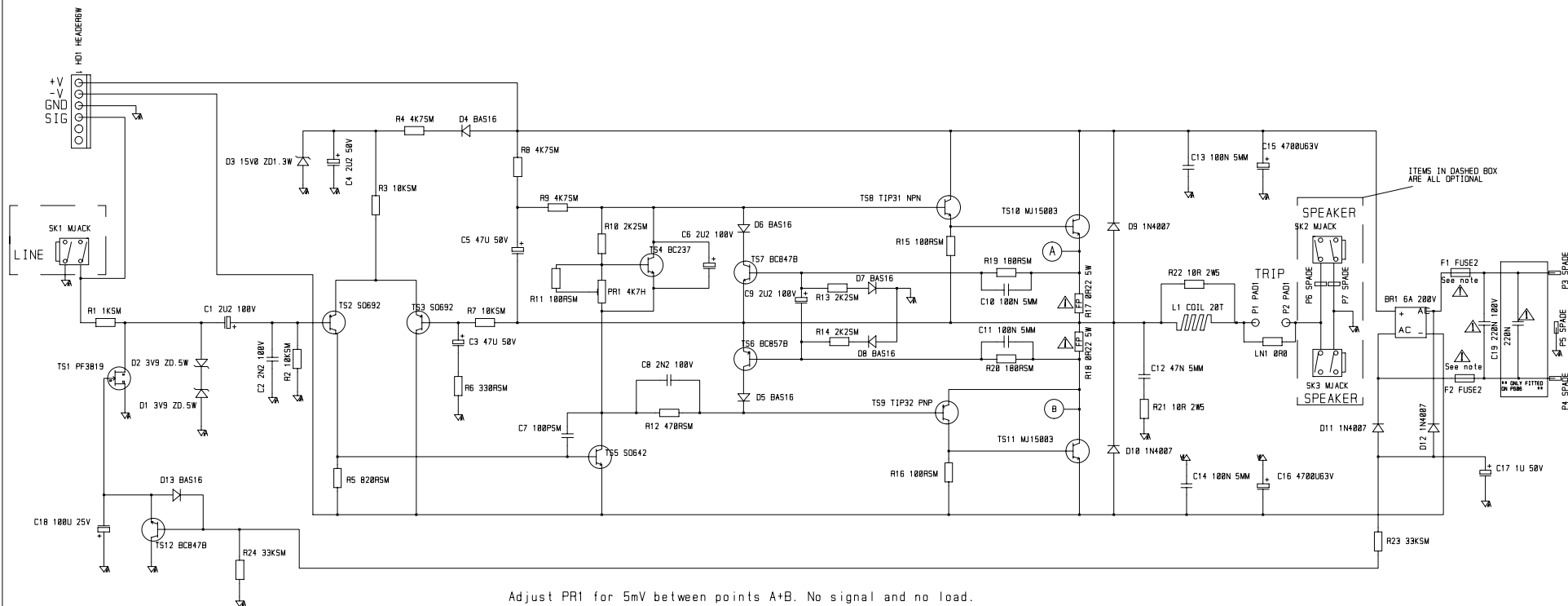


See Change Note 250
 Various changes to pre-shapes , treble , flat eq and gain



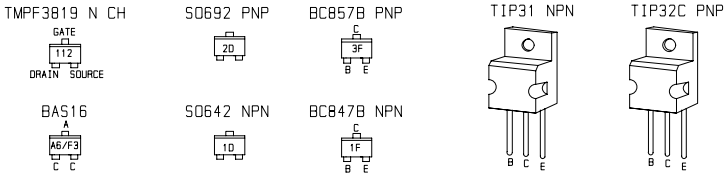
DRAWN	R. J. F
DATE	26/06/97
TITLE	DB SLIDER BOARD
DRW. NO.	PCB 9133

ISSUE							
TYPE							



Adjust PRI for 5mV between points A+B. No signal and no load.

NOTE: FUSE VALUES FOR F1 & F2.
 100-120 WATT = F3.15A
 150 WATT = F4A



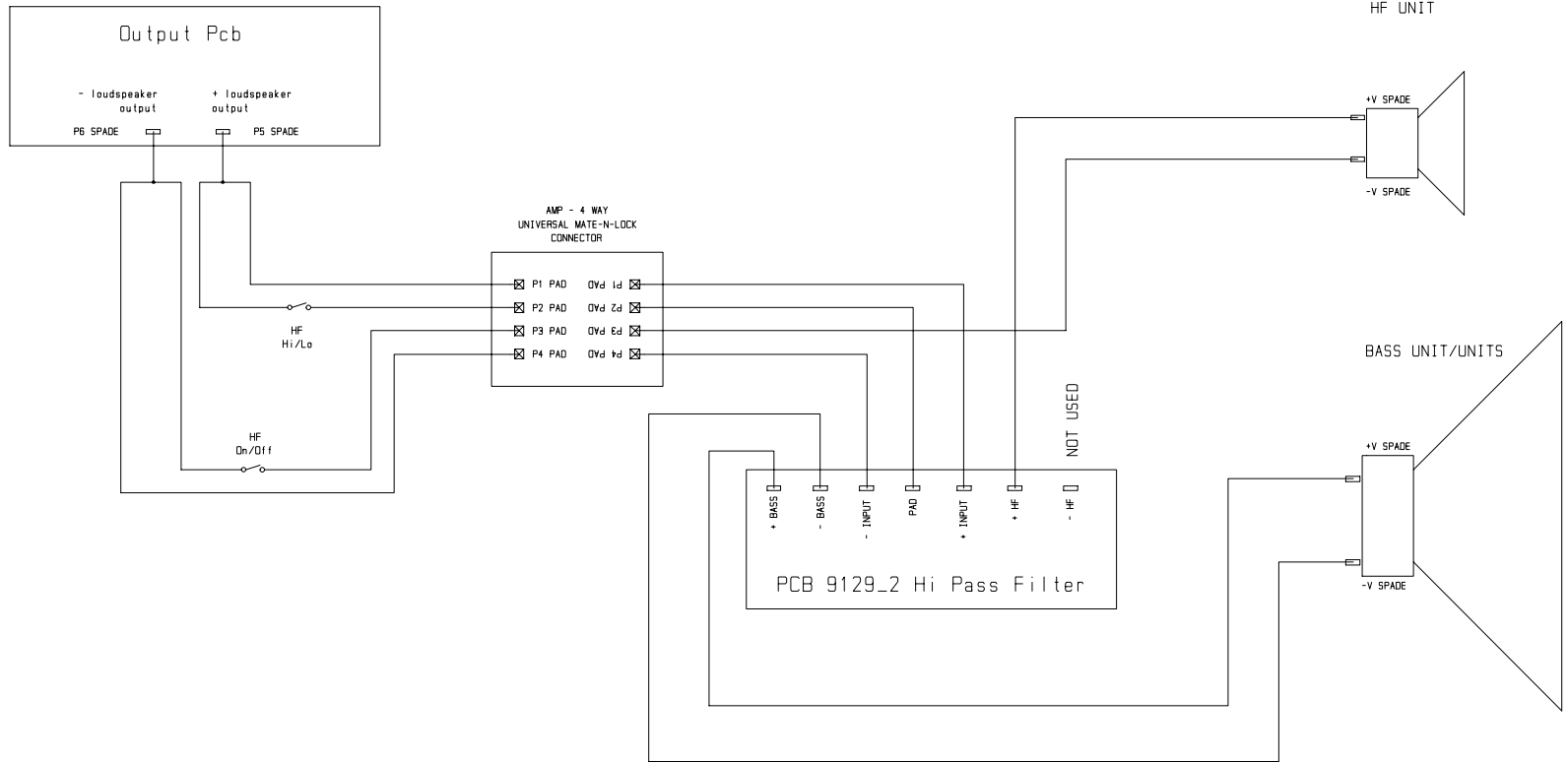
INDICATES SAFETY CRITICAL COMPONENT.
 MUST ONLY BE REPLACED WITH APPROVED COMPONENT.

FLAMEPROOF RESISTOR. MUST ONLY BE REPLACED WITH SAME TYPE AND RATING.

DRAWN	DEH
DATE	17/10/96
TITLE	100/120/150 OUTPUT
DRW. NO.	9115

ISSUE	3	3	4	4
TYPE	LAYOUT CHANGE 22/01/97	R8 & R9 CHANGED FROM 2K2 TO 4K7 - 7/4/97 SEE CHANGE NOTE No.96	SPEAKER SPADE TERMINALS ADDED 08/04/98	1 off 220nF 100V ADDED ACROSS C19 P6065 ONLY

REFER TO DBPORT.DOC FOR DRIVE UNIT / PORT INFORMATION



DRAWN	R. J. F
DATE	29/08/97
TITLE	DB COMBO - AMP/CABINET INTERCONNECTION WIRING
DRW. NO.	9137

ISSUE							
TYPE							

IMPORTANT - All resistors to be 10W flame proof cement type

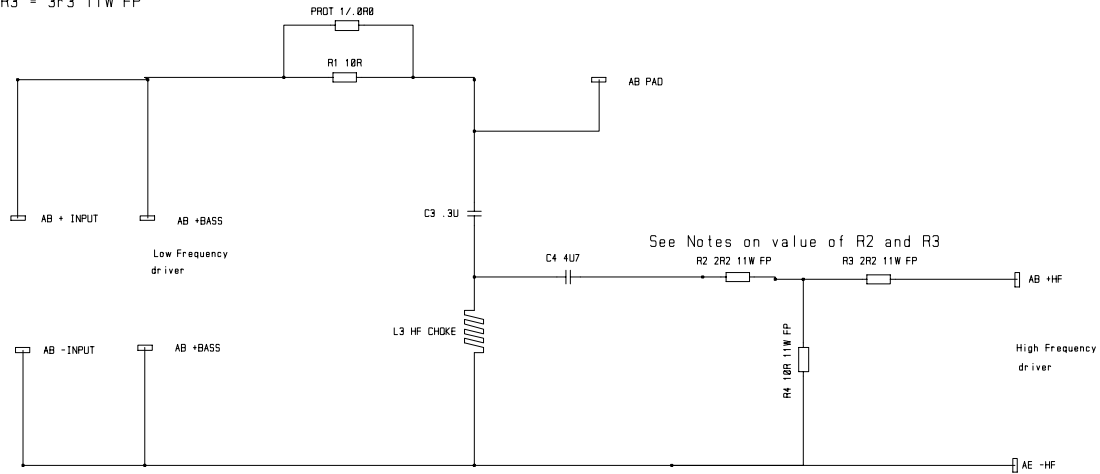
IMPORTANT - All capacitors to be low loss polypropylene type

R + D Information Only

H.F. Inductor = 0.3mH

See 9137.csd for Combo/Amp wiring

For DB amplifiers - R2 = R3 = 3r3 11W FP



DRAWN	R. J. F
DATE	26/01/00
TITLE	2 WAY X-OVER
DRW. NO.	9129

ISSUE	09/09/97	30/9/97	26/01/00		
TYPE	DB and Vector 10 Hi Pass Filter made identical (Change note 140)	Changes for CTX10 added	ISSUE 5 LAYOUT DETAIL		