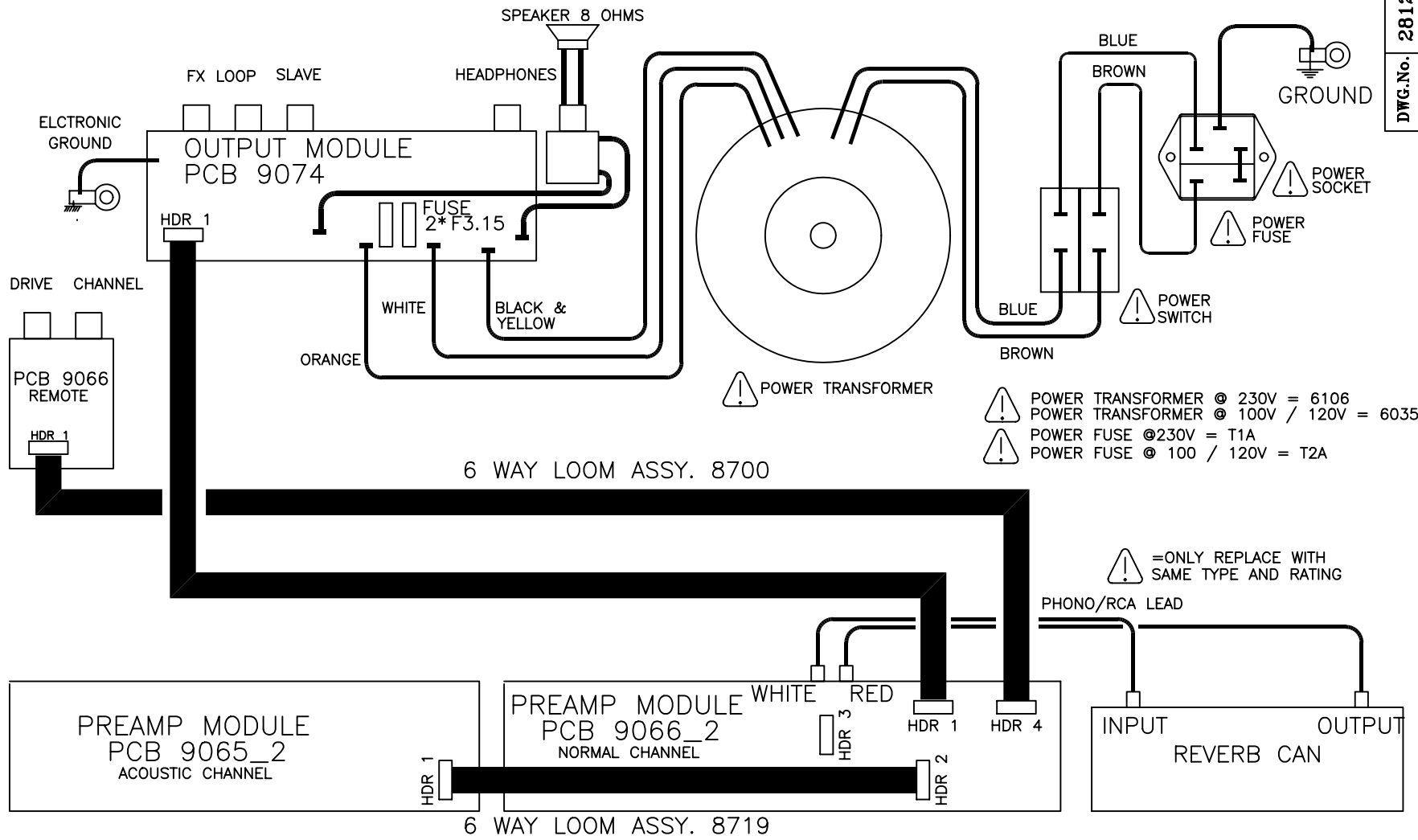


# Laney

**Service Diagrams**



ISSUE	DESCRIPTION	APPD.	DATE

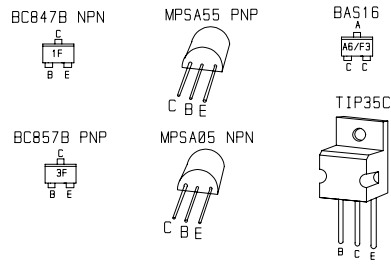
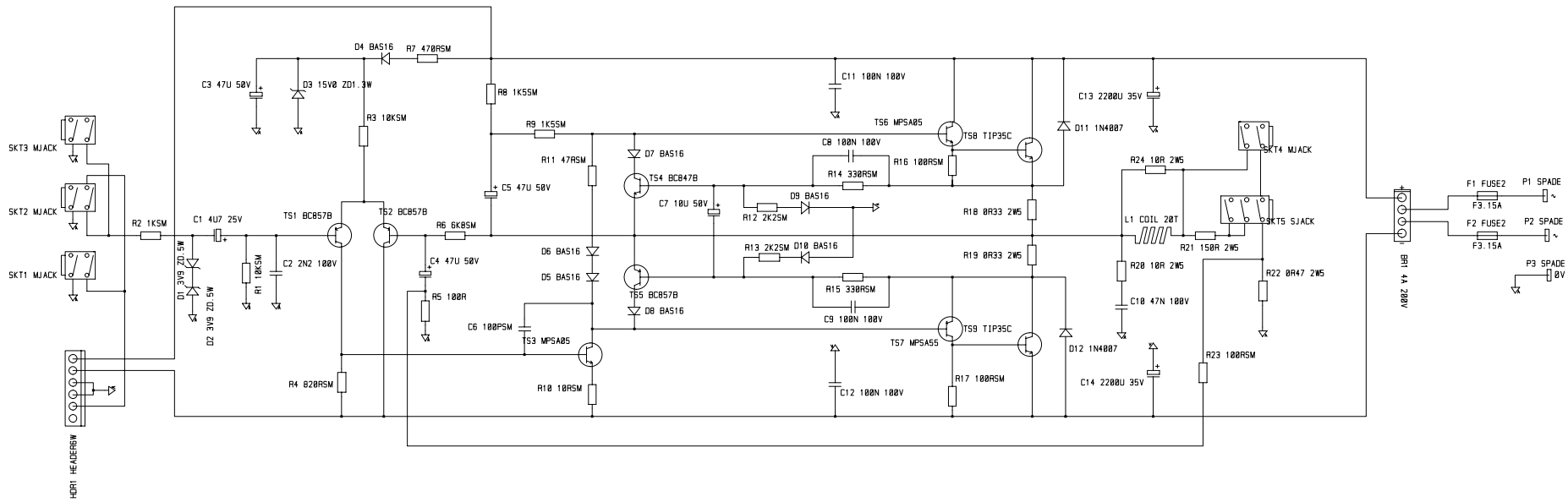
**BLT**  
*Industries Ltd.*

**TITLE**  
 EA65 SERVICE  
 DIAGRAM  
 PART No

DRAWN	TRACED	CHECKED	APPROVED	DATE
S.L.				22/04/98
DRAWING No.		2812		



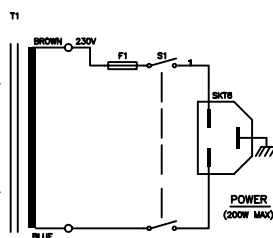
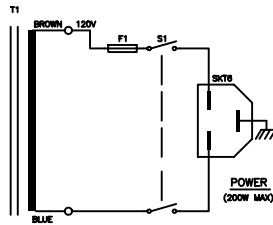
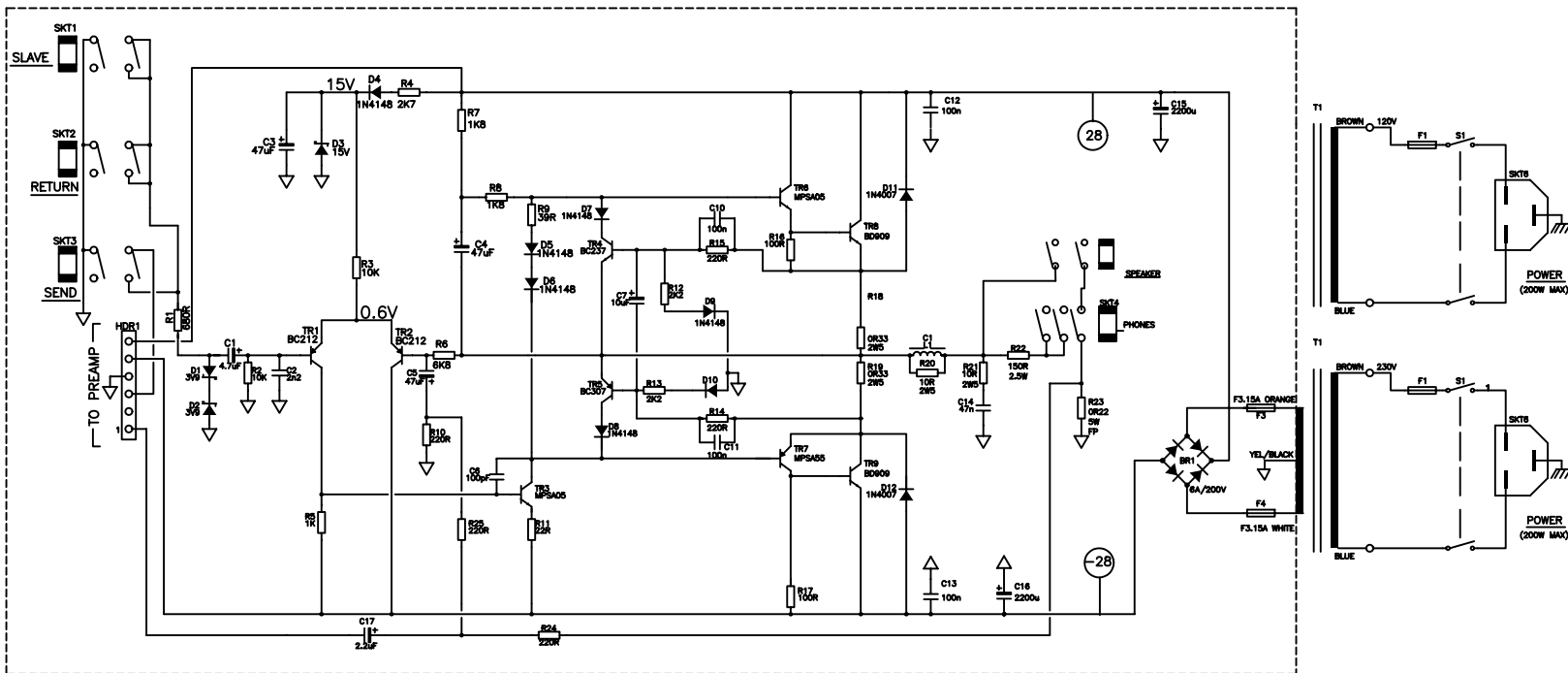




NOTE: - BASS VERSION R5=220R R22=LINK C13/14=3300U

DRAWN	DEH
DATE	15/3/99
TITLE	50-65W OUTPUT MODULE
DRW. NO.	9074_2

ISSUE							
TYPE							



ISSUE	DESCRIPTION	APPD.	DATE

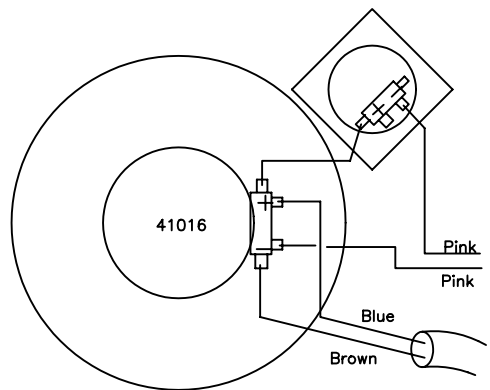
**LANEY**

**TITLE**  
 50 - 65 WATT OUTPUT  
 BOARD No.9010  
 PART No

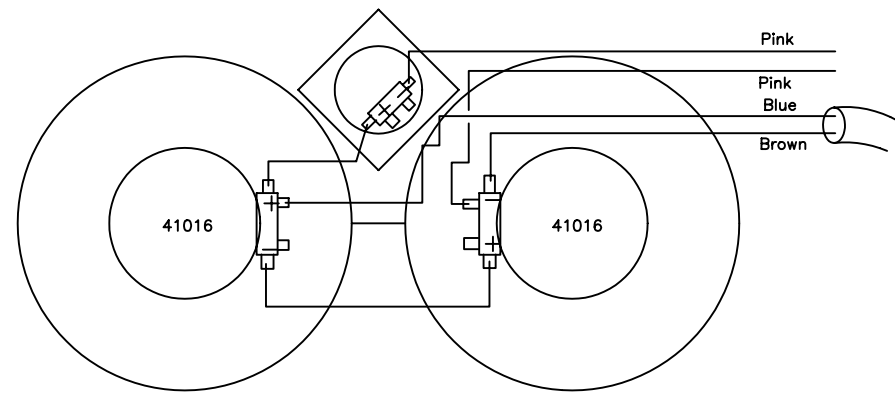
DRAWN	TRACED	CHECKED	APPROVED	DATE
S.L.				30/08/94
DRAWING No.		2316		

Pink wires terminate at HF Driver Switch. Pass through same hole as connection to reverb.

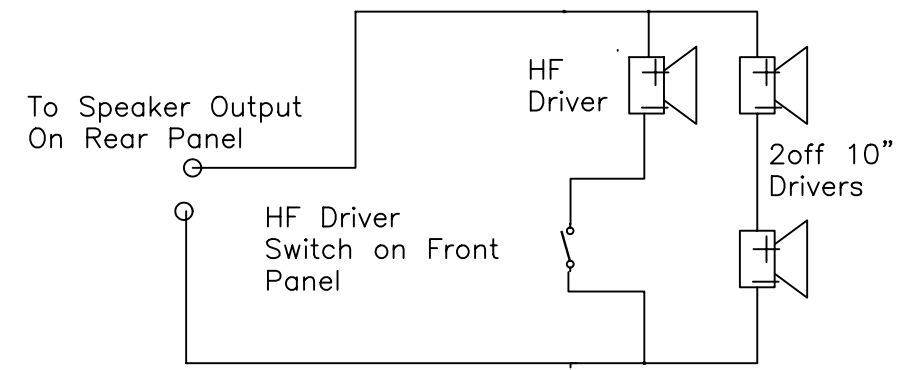
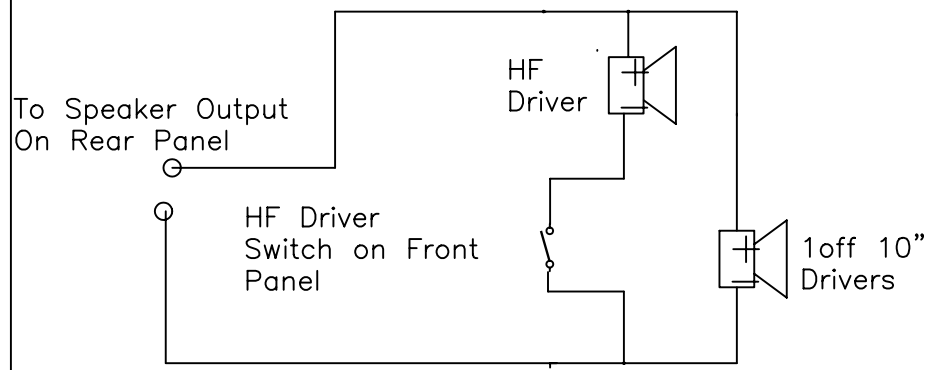
Blue/Brown terminates in Jack connector – which plugs into loudspeaker output on amplifier rear panel.



EA65 series 2 Cabinet Wiring



EA120 series 2 Cabinet Wiring



ISSUE	DESCRIPTION	APPD.	DATE

**BLT**  
Industries Ltd.

**TITLE**  
EA65B/EA120B  
Cabinet Wiring  
PART No

DRAWN	TRACED	CHECKED	APPROVED	DATE
R.J.F				2/03/99
<b>DRAWING No.</b>		<b>2927</b>		