

CHANNEL B
(HIGH PASS)
MINIMUM
TOTAL LOAD
4ohms

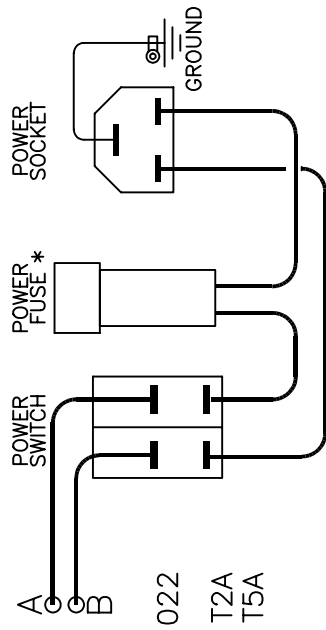
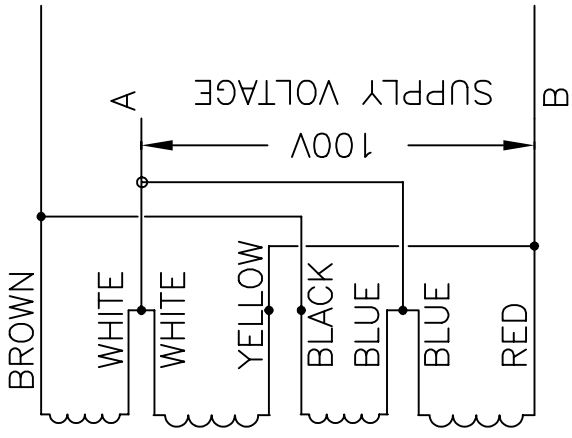
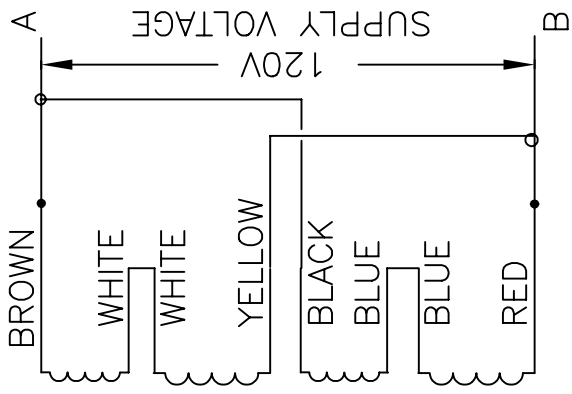
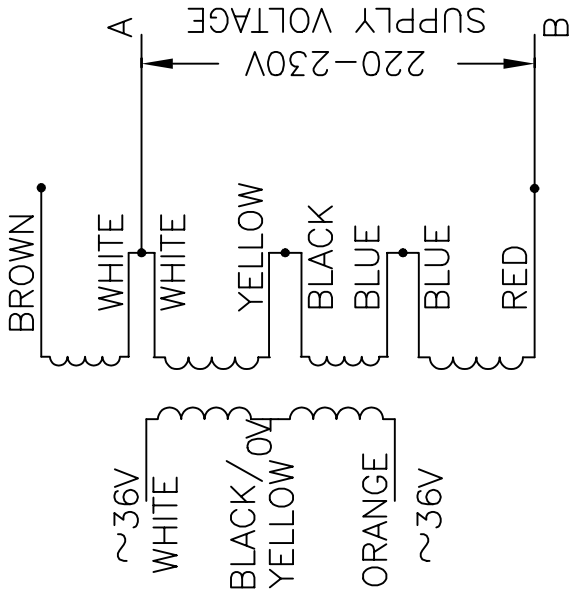
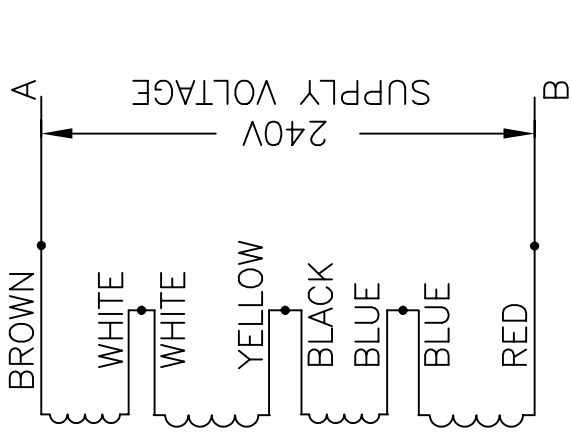
PCB No. 9023
QUIESCENT CURRENT ADJUSTMENT :- SET P1 FOR 10-20mV BETWEEN POINTS A&B.

PCB No. 9023
QUIESCENT CURRENT ADJUSTMENT :- SET P1 FOR 10-20mV BETWEEN POINTS A&B.

FOR TRANSFORMER
WIRING SEE
DWG.2338

FS101
150/200V-15A
220/240V-12A
MAXIMUM POWER CONSUMPTION
40WATTS @50/60Hz

ISSUE	DESCRIPTION	APPD. DATE	TITLE	DRAWN	TRACED	CHECKED	APPROVED	DATE
			G300H POWER MODULE CIRCUIT PART No	D.E.H				9/6/92
				DRAWING No.				2011A



POWER TRANSFORMER = 571022
 * POWER FUSE 220 - 240V = T2A
 100 - 120V = T5A

MAXIMUM POWER CONSUMPTION
 400 WATTS ~ 50/60HZ

ISSUE	DESCRIPTION	APPD. DATE	TITLE	DRAWN	TRACED	CHECKED	APPROVED	DATE
			G300 TRANSFORMER WIRING DETAIL PART No	S.L.				20/10/94
				DRAWING No.				2338

LANEY