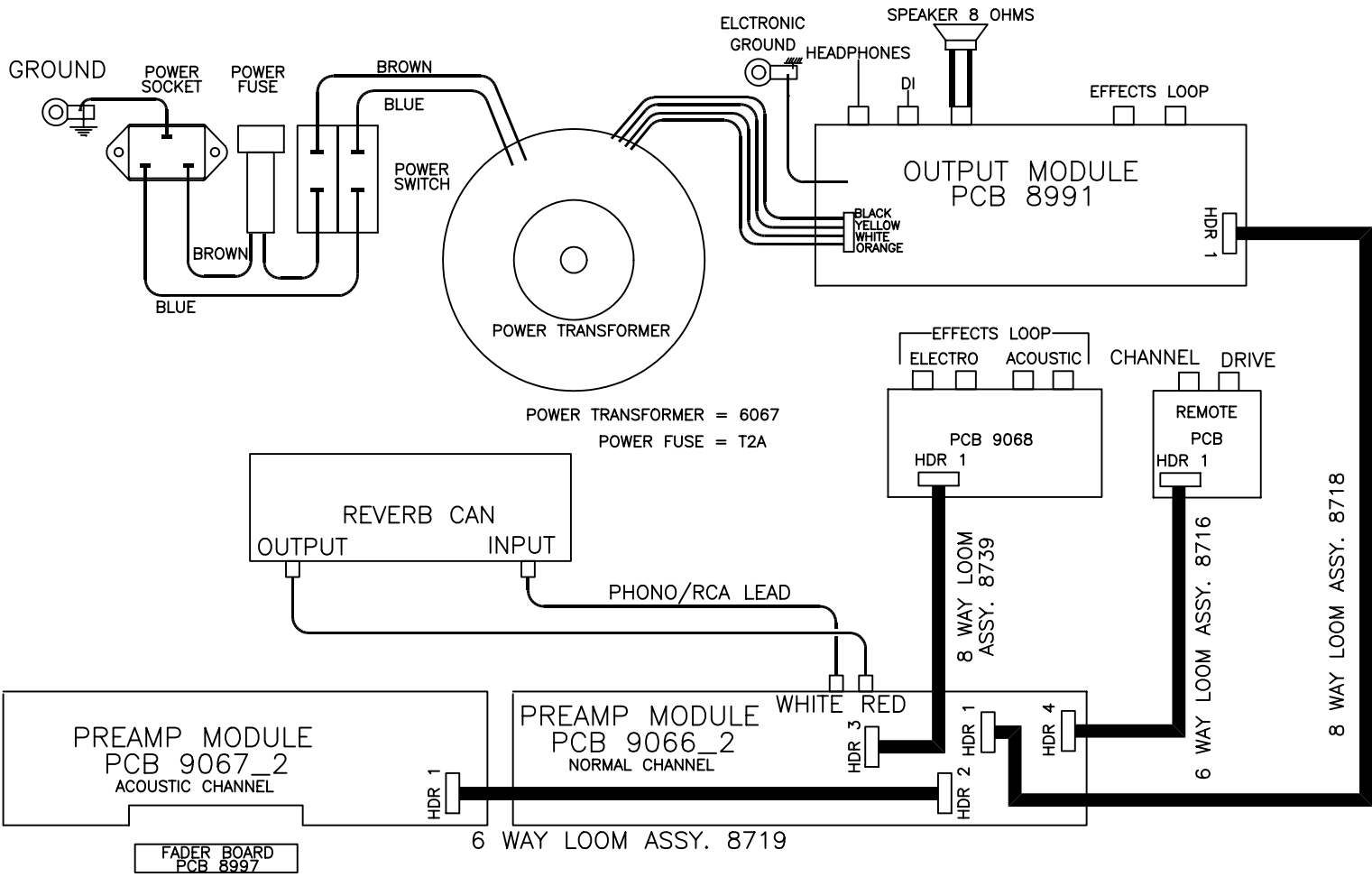


# Laney

**Service Diagrams**

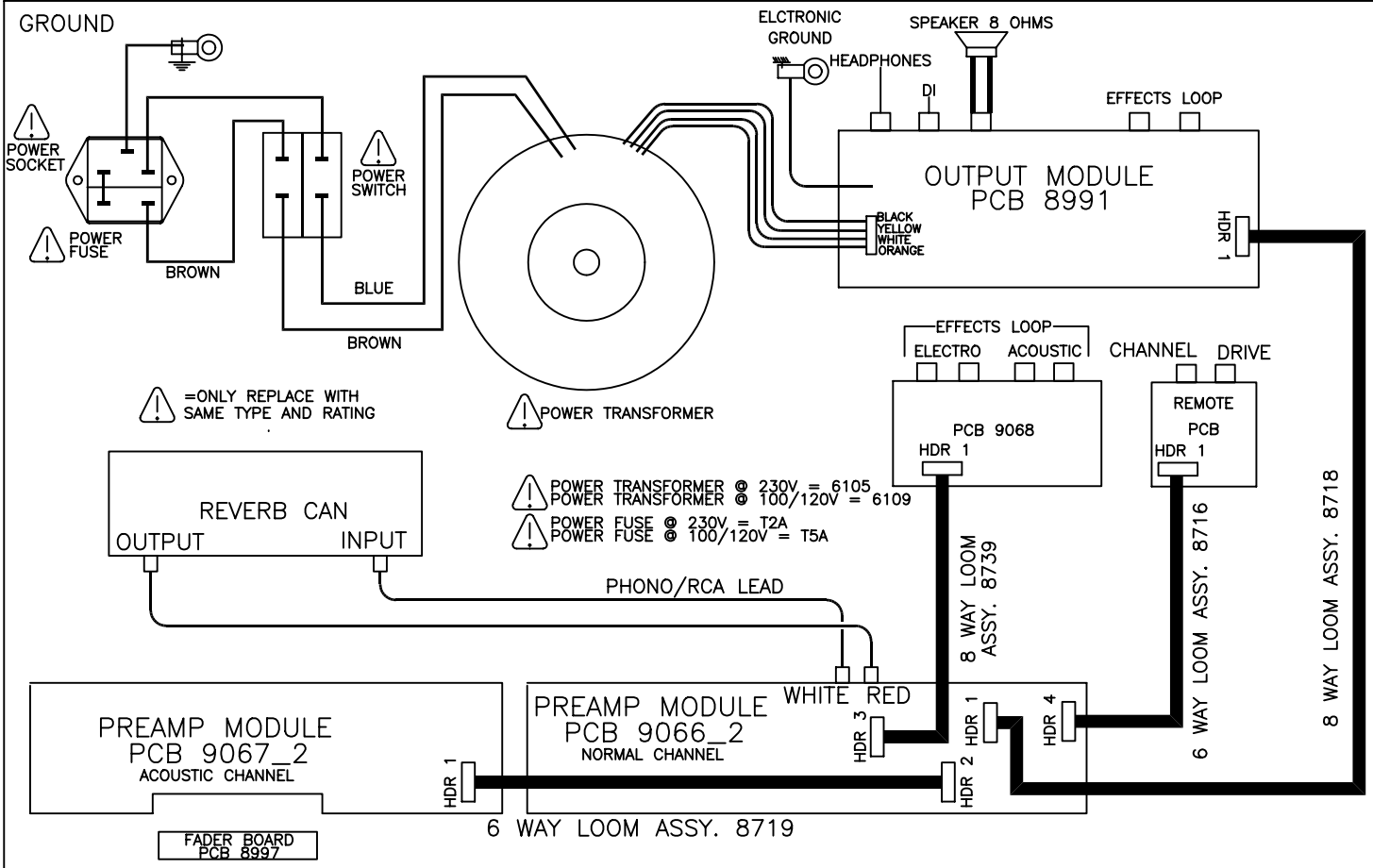


ISSUE	DESCRIPTION	APPD.	DATE

**LANEY**

**TITLE**  
GC80A SCHEMATIC  
100\120V SPEC  
PART No

DRAWN	TRACED	CHECKED	APPROVED	DATE
S.L.				24\08\94
DRAWING No.		2297		

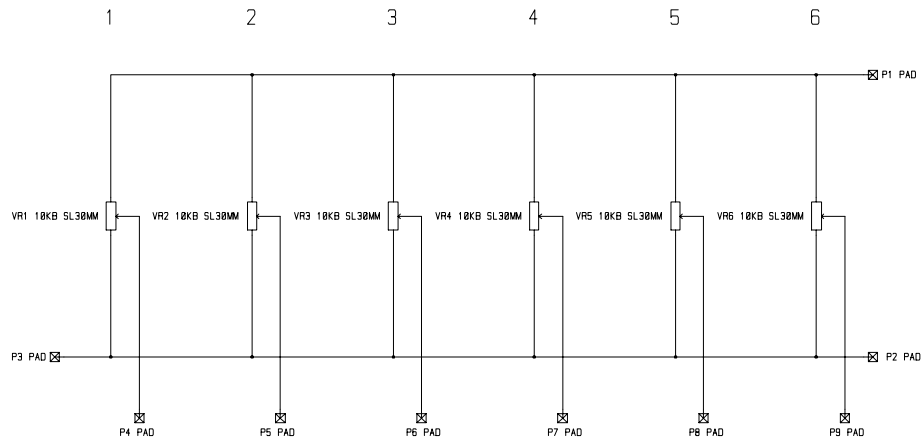


ISSUE	DESCRIPTION	APPD.	DATE

**LANEY**

**TITLE**  
EA120 SERVICE  
DIAGRAM  
PART No

DRAWN	TRACED	CHECKED	APPROVED	DATE
S.L.				24/04/98
DRAWING No.		2813		



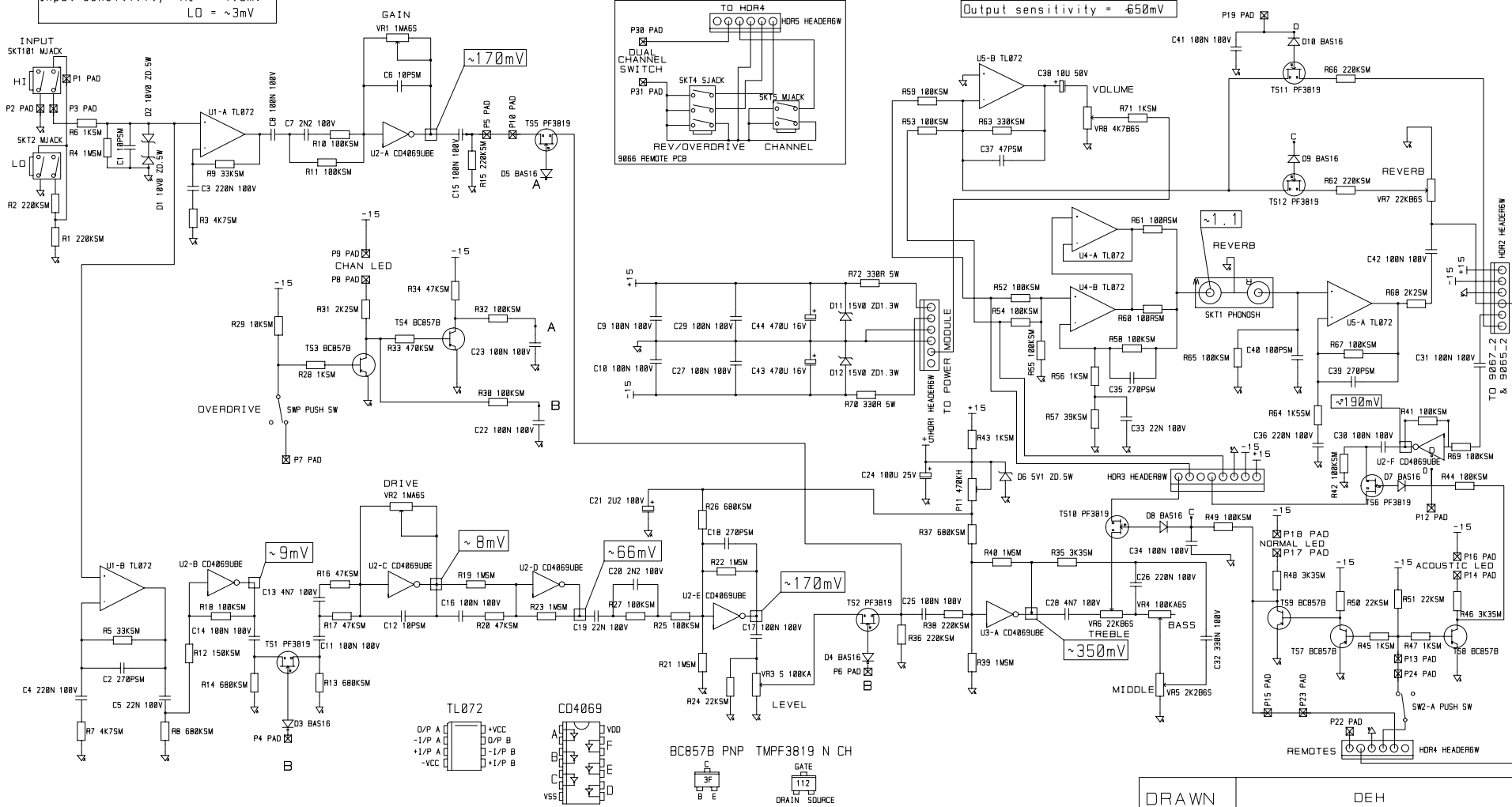
DRAWN	DEH
DATE	09/11/94
TITLE	GFX SLIDER BOARD
DRW. NO.	8997_4

ISSUE					
TYPE					



Input sensitivity HI = 4.5mV  
LO = ~3mV

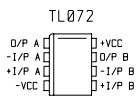
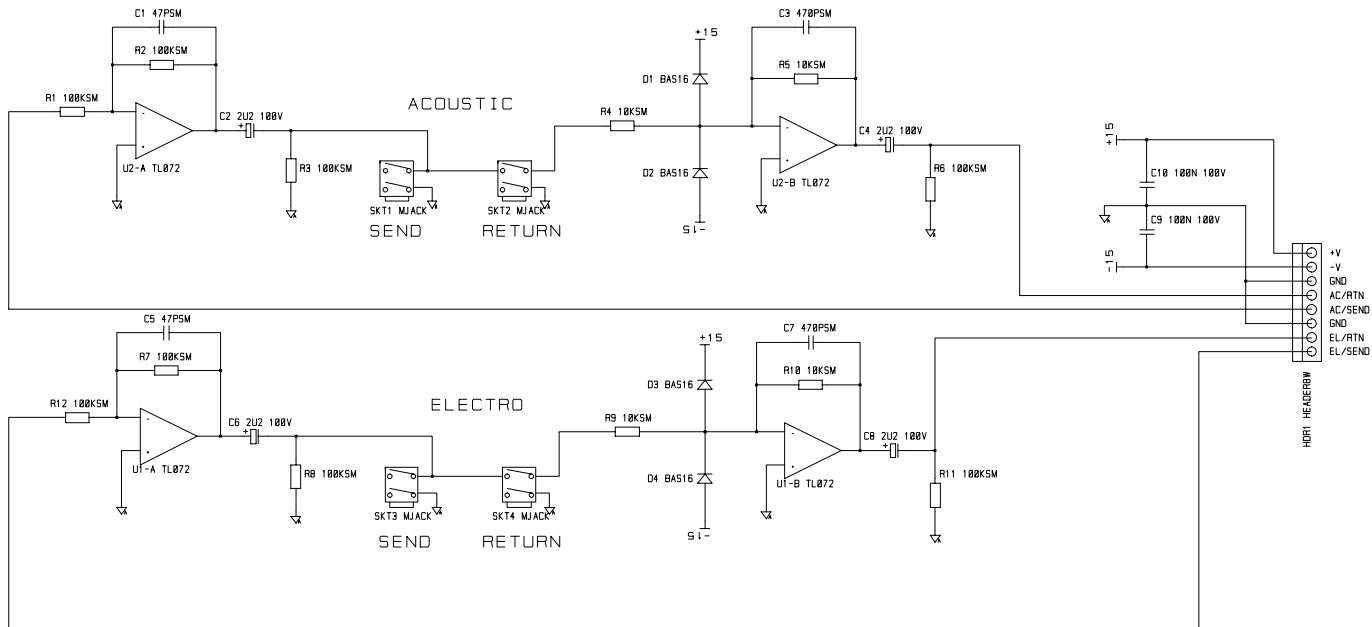
Output sensitivity = 650mV



Input sensitivity = GAIN, TONE AND VOLUME CONTROLS UP TO MAXIMUM (APPROX. 2)  
Overdrive sensitivity = LEVEL CONTROL UP FULL AND DRIVE TURNED UP TILL IT CLIPS

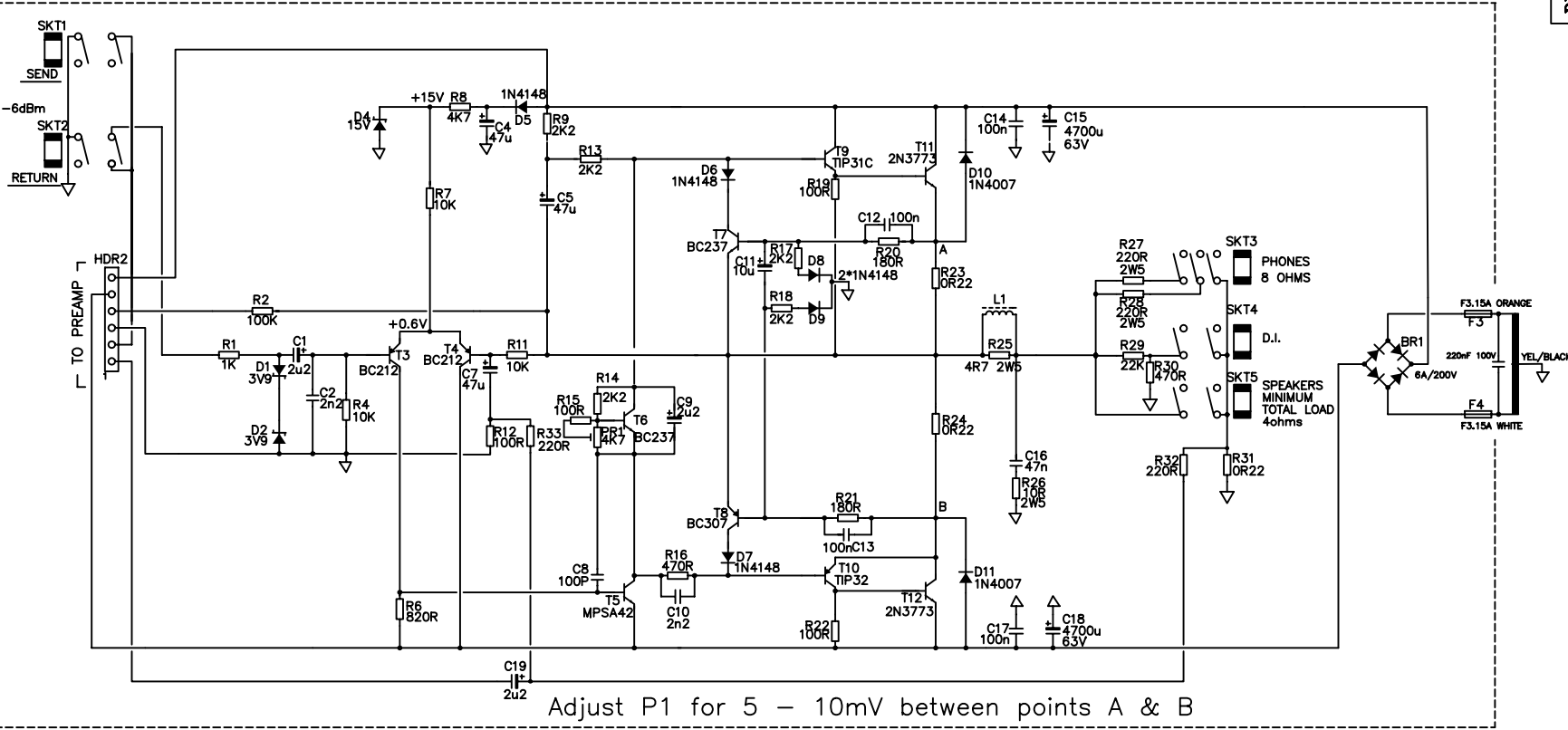
DRAWN	DEH
DATE	15/04/94
TITLE	NORMAL CHANNEL PREAMP MODULE
DRW. NO.	9066_2

ISSUE	
TYPE	



DRAWN	DEH
DATE	18/04/94
TITLE	EA120/B FX MODULE
DRW. NO.	9068

ISSUE							
TYPE							



ISSUE	DESCRIPTION	APPD.	DATE
	220nF Added across TX Secondary This should be soldered directed to the underside of the pcb		11/02/99

**BLT**  
Industries Ltd.

**TITLE**  
80 – 120 WATT OUTPUT  
BOARD NO. 8991  
PART No

DRAWN	TRACED	CHECKED	APPROVED	DATE
S.L.				30/08/94
DRAWING No.		2315		