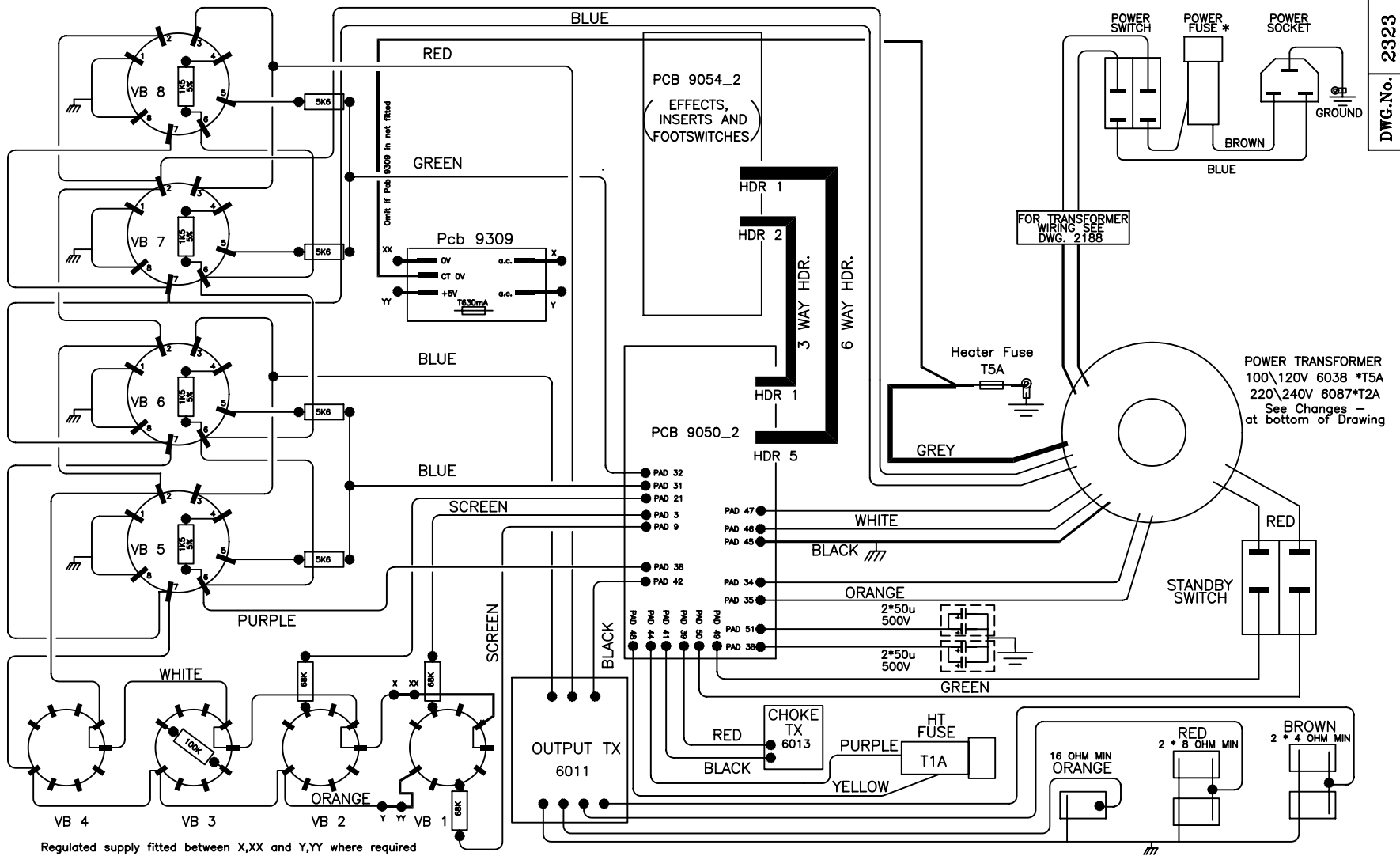


Laney

Service Diagrams

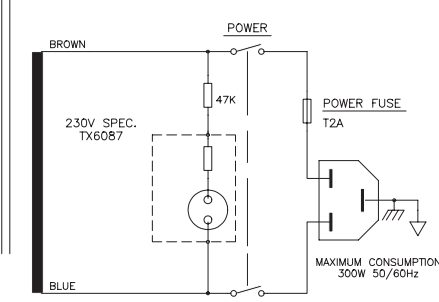
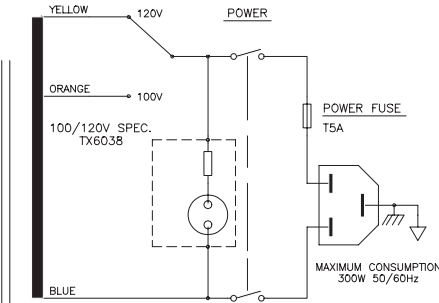
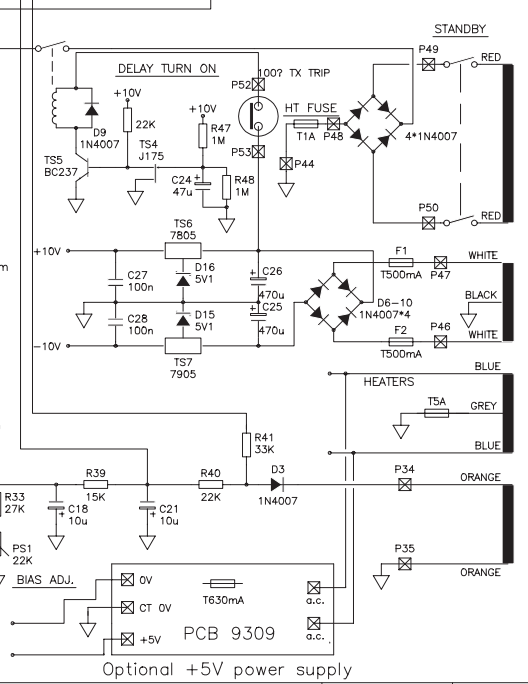
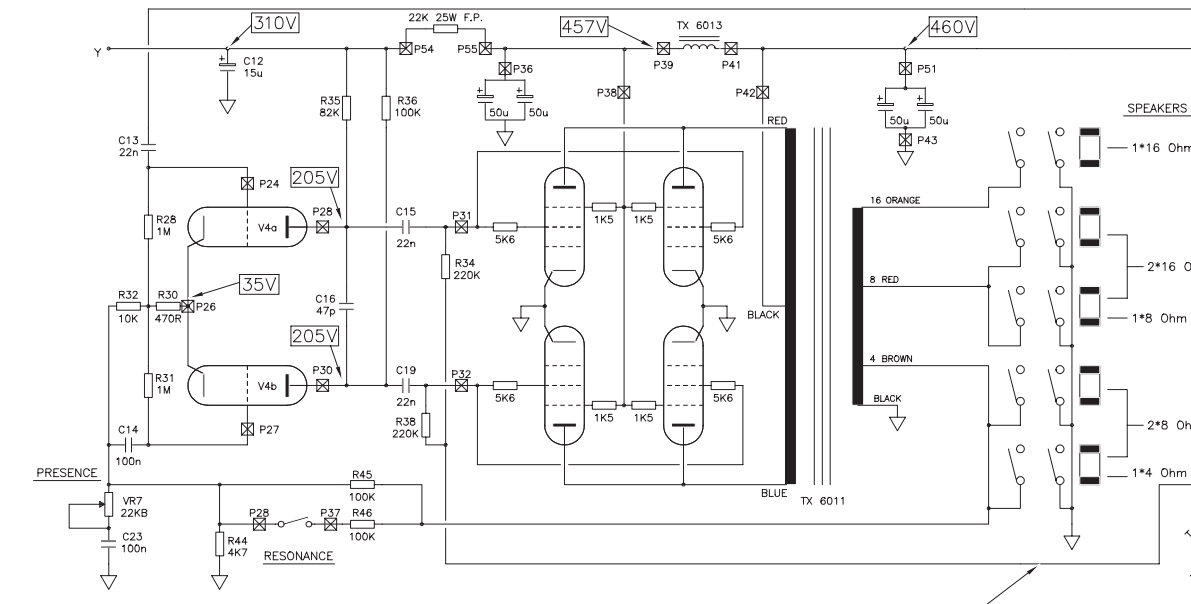
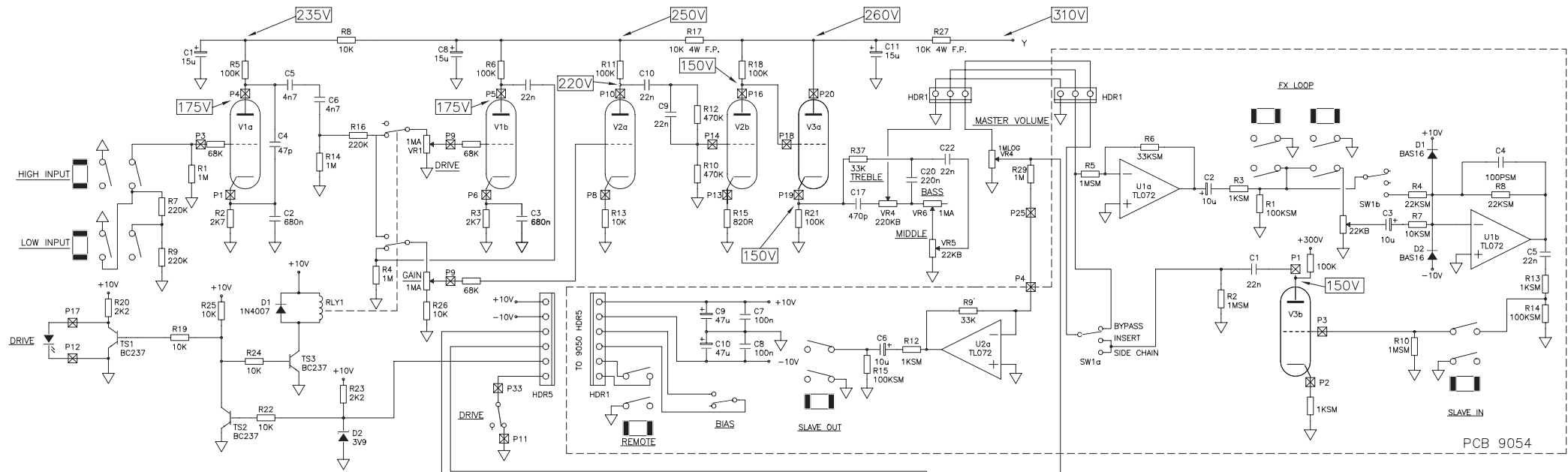


ISSUE	DESCRIPTION	APPD.	DATE
2	Optional +5V regulated supply added	R.J.F	7/10/98
	Fuse added in heater ground		
	6037 changed to 6097 (230V operation)		

LANEY

TITLE
GH100L SCHEMATIC DIAGRAM PART No

DRAWN	TRACED	CHECKED	APPROVED	DATE
S.L.				19/09/94
DRAWING No.		2323		



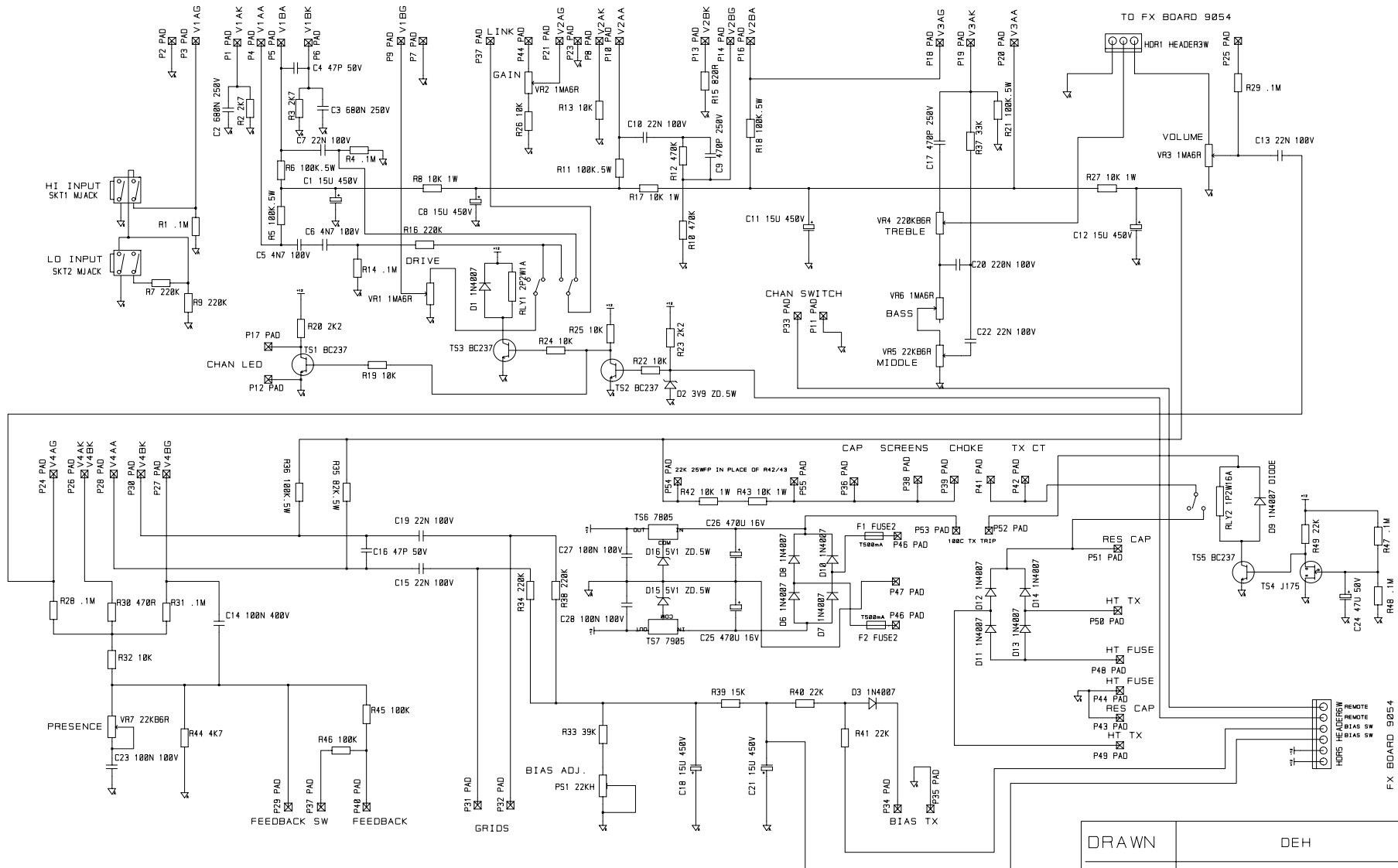
ISSUE	DESCRIPTION	APPD.	DATE
3	CHANGE R42 & 43 FROM 10K 1WATT TO 22K 25W WIRE WOUND FIRE PROOF CHANGE R17 & 27 FROM 10K 1 WATT TO 10K 4 WATT FIRE PROOF ADD PADS P52 - P55 ADD 100% TRIP TO POWER TX ADD F2 AS T500mA ADD 2*CHASSIS MOUNTED FUSE CARRIERS WITH T5A TO HEATER WINDINGS CHANGE TX FROM 6037 TO A 6087 230V POWER TX	S.L.	14/9/95
4	Option added for regulated +5V supply for V1 dependent on valve manufacturer	R.J.F	8/10/98

EL34 - 35V
5881 - 45V
PCB 9050_3

LANEY

TITLE
GH100L
CIRCUIT
PART No

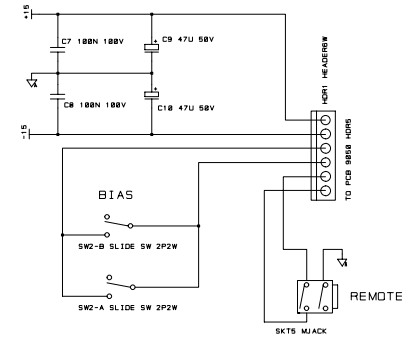
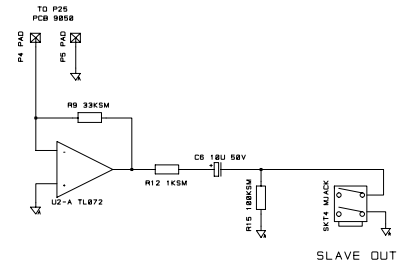
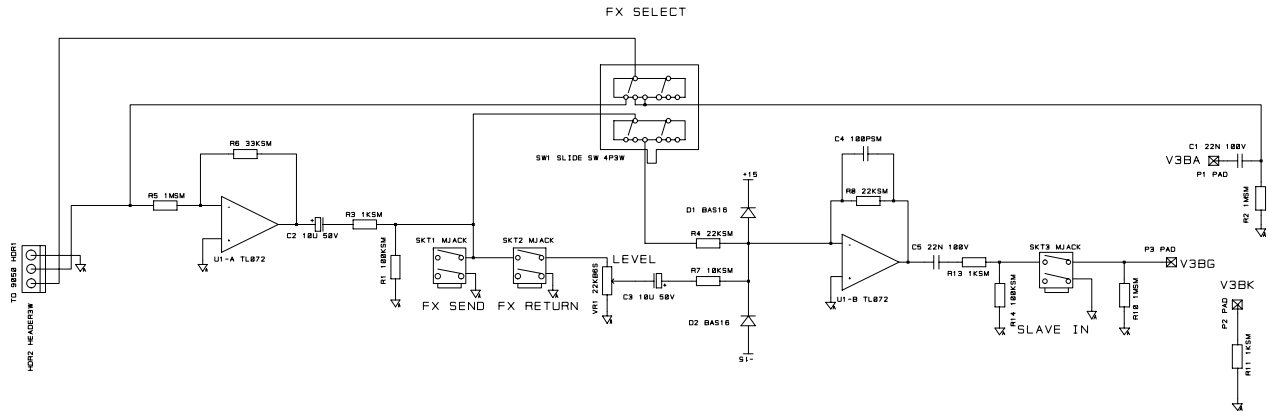
DRAWN	TRACED	CHECKED	APPROVED	DATE
D.E.H.				25/7/94
DRAWING No.		2188		



DRAWN	DEH
DATE	22/08/95
TITLE	GH100/50L MAIN PCB
DRW. NO.	9050_3

ISSUE

TYPE



DRAWN	DEH
DATE	08/03/94
TITLE	VALVE AMP FX LOOP MODULE
DRW. NO.	9054_2

ISSUE	6/98 - GH1005 NAME CHANGED TO GH100T;				USED IN : GH100L GH50L GH100S GH100T;
TYPE					

