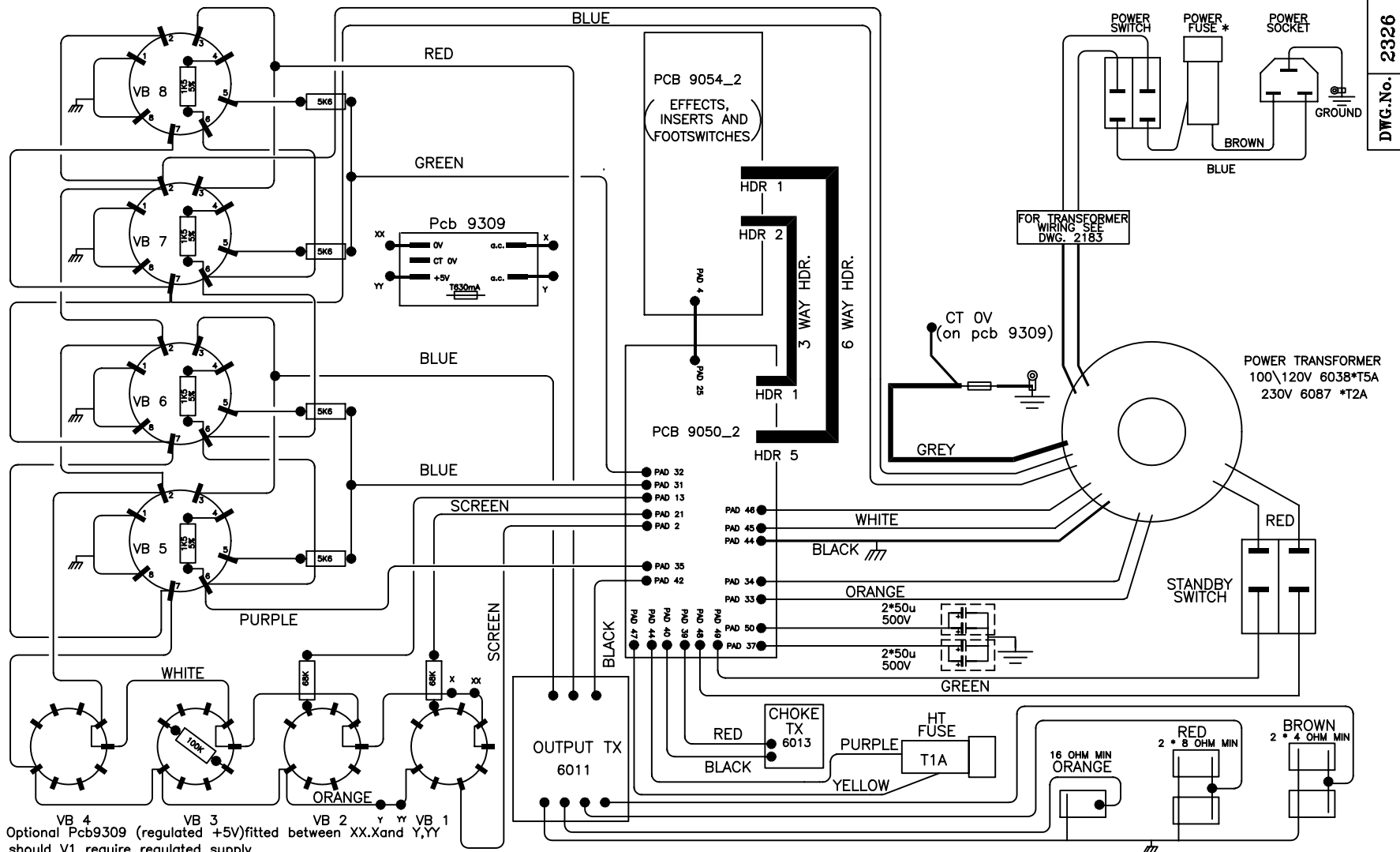


Laney

Service Diagrams



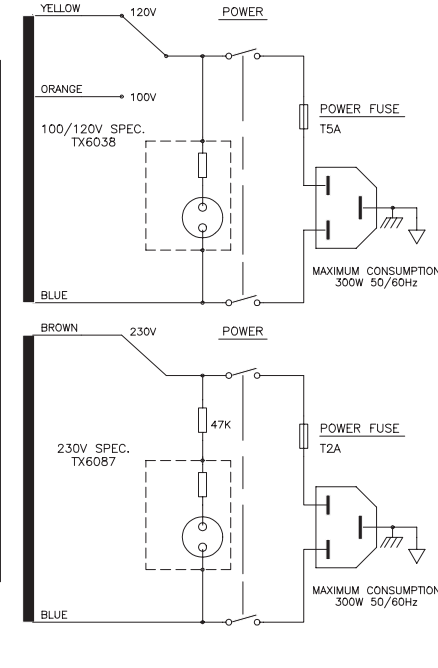
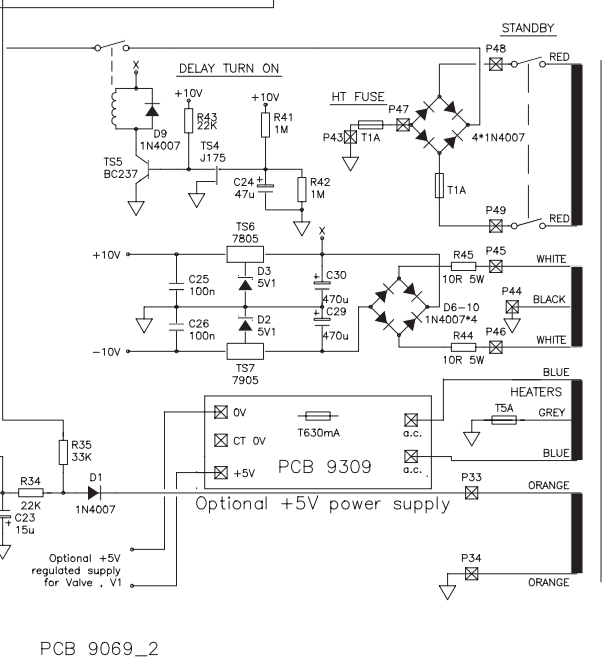
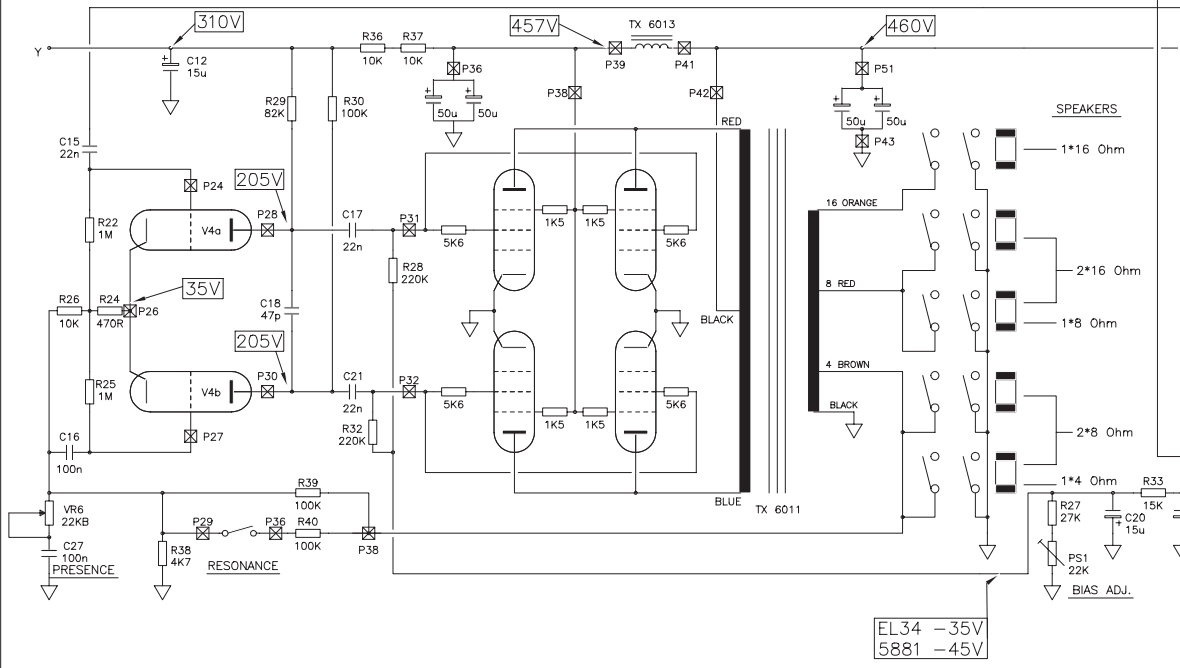
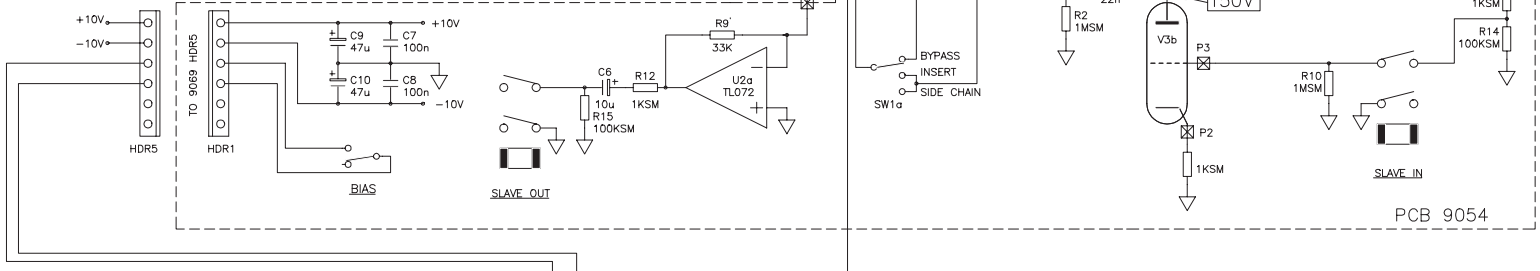
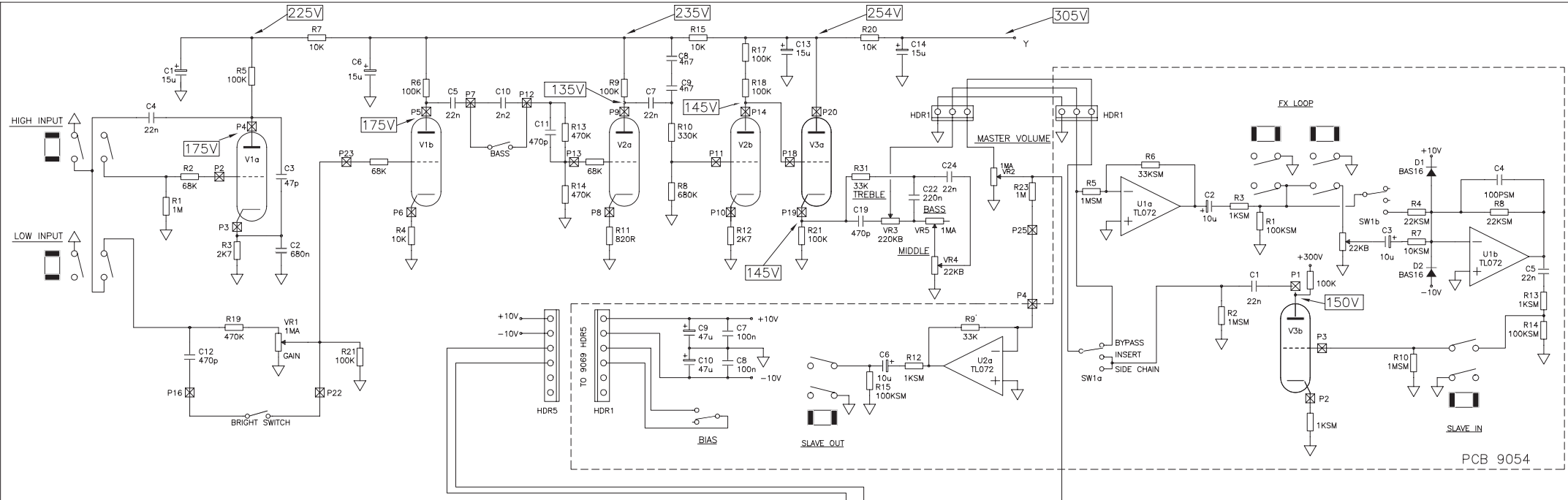
VB 4 VB 3 VB 2 VB 1
 Optional Pcb9309 (regulated +5V) fitted between XX.X and Y.YY
 should V1 require regulated supply.

ISSUE	DESCRIPTION	APPD.	DATE
3	6037 TX TO 6087. FUSES ADDED TO HEATERS.	R.J.F.	8/10/98
	OPTION ADDED FOR REGULATED +5V SUPPLY.		
2	MODEL NAME CHANGED TO GH100Ti	S.L.	6/98

BLT
 Industries Ltd.

TITLE
 GH100S / GH100Ti
 SCHEMATIC DIAGRAM
 PART No

DRAWN	TRACED	CHECKED	APPROVED	DATE
S.L.				22/09/94
DRAWING No.			2326	

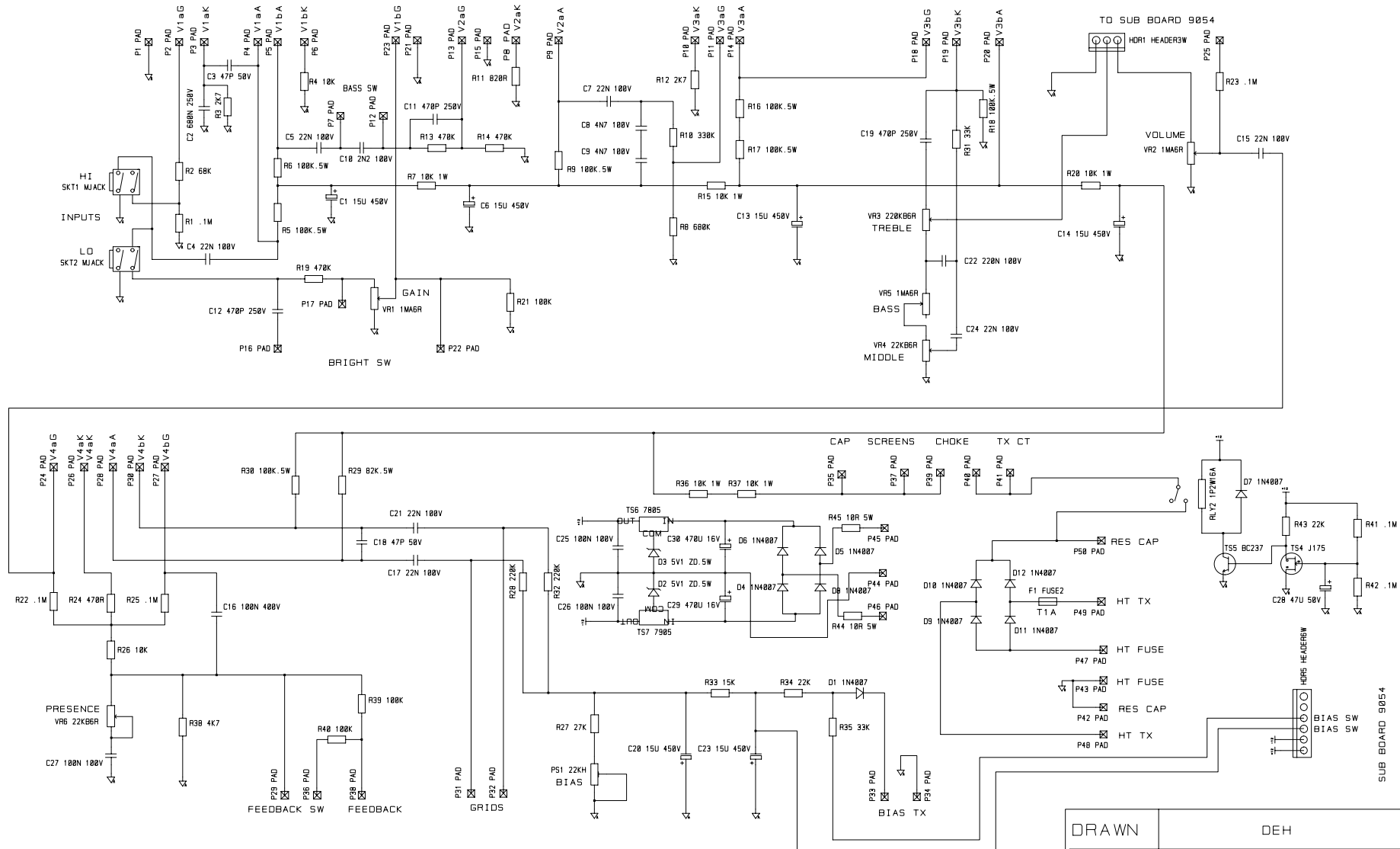


ISSUE	DESCRIPTION	APPD.	DATE
3	6037 TX TO 6087. FUSES ADDED TO HEATERS. OPTION ADDED FOR REGULATED +5V SUPPLY.	R.J.F.	8/10/98
2	MODEL NAME CHANGED TO GH100Ti	S.L.	6/98

BLT
Industries Ltd.

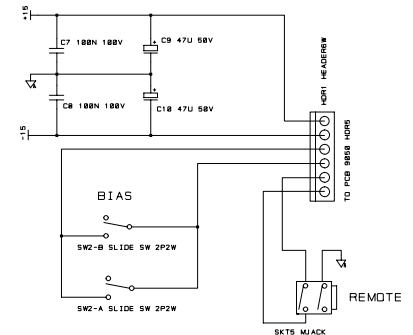
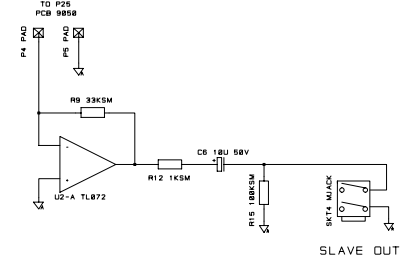
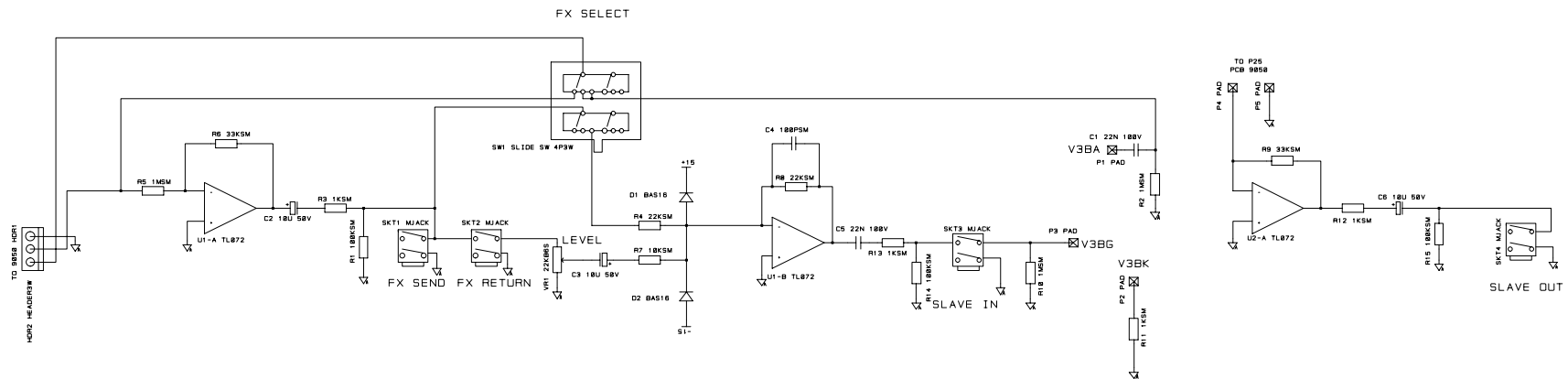
TITLE
GH100S / GH100Ti
CIRCUIT
PART No

DRAWN	TRACED	CHECKED	APPROVED	DATE
S.L.				26/09/94
DRAWING No.		2183		



DRAWN	DEH
DATE	24/05/94
TITLE	GH100S/GH100T; MAIN PCB
DRW. NO.	9069_2

ISSUE	6/98 - GH100S NAME CHANGED TO GH100T;						
TYPE							



DRAWN	DEH
DATE	08/03/94
TITLE	VALVE AMP FX LOOP MODULE
DRW. NO.	9054_2

ISSUE

6/98 - GH100S
NAME CHANGED TO GH100Ti

USED IN :
GH100L GH50L
GH100S GH100Ti

TYPE

