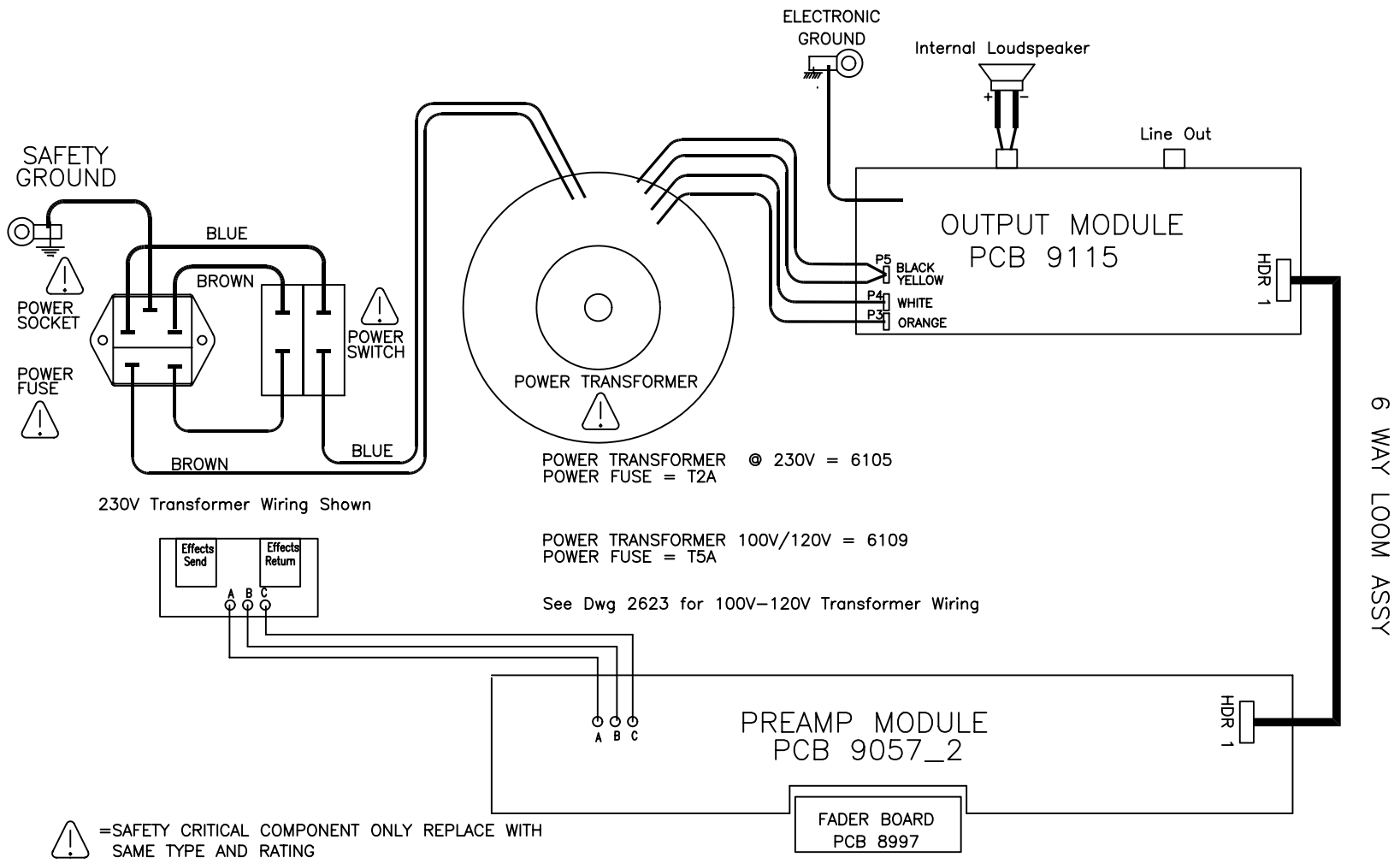


Laney

Service Diagrams



6 WAY LOOM ASSY

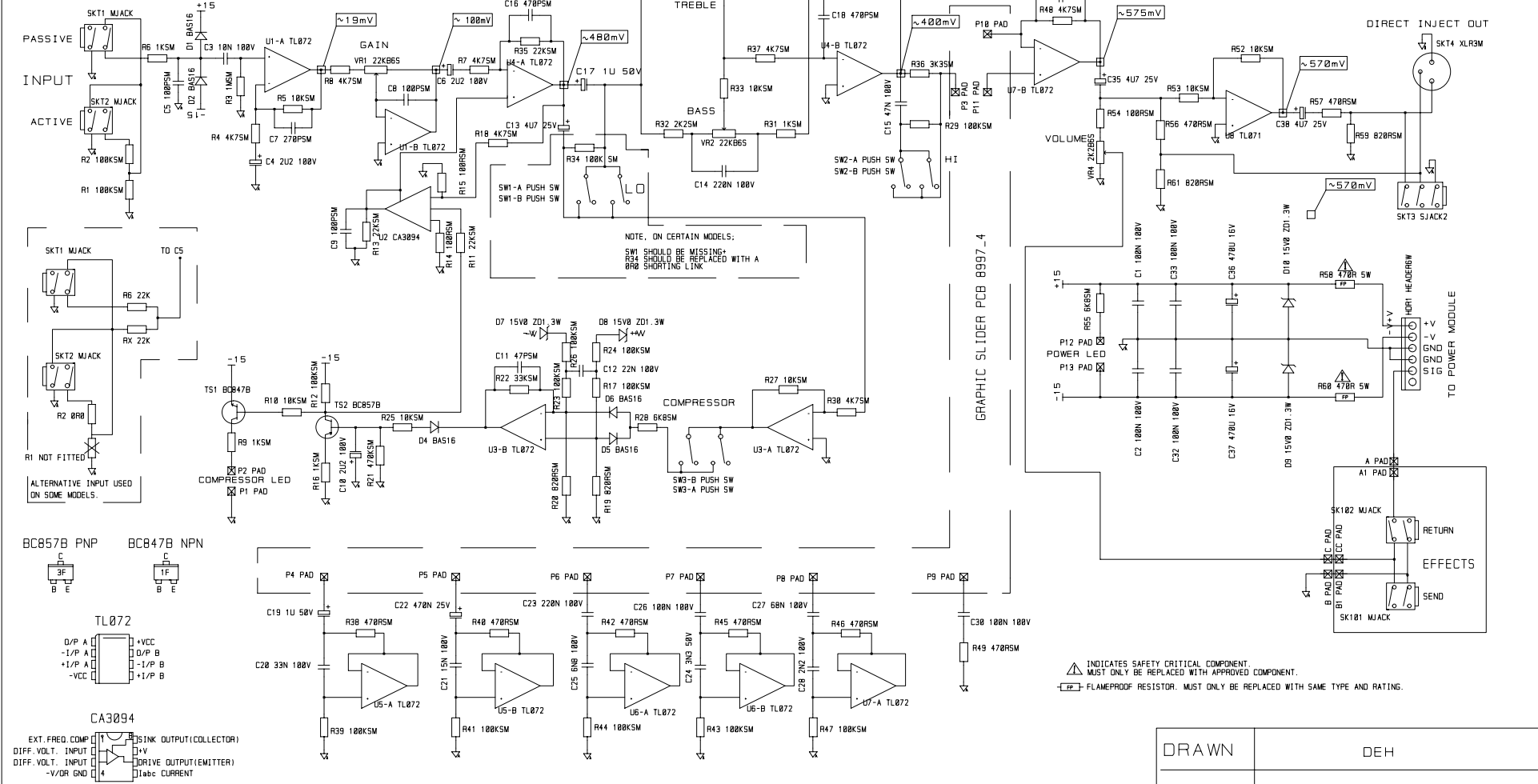
ISSUE	DESCRIPTION	APPD.	DATE

BLT
Industries Ltd.

TITLE
HCM120B Service
Diagram
PART No

DRAWN	TRACED	CHECKED	APPROVED	DATE
S.L.				13/01/99
DRAWING No.		2901		

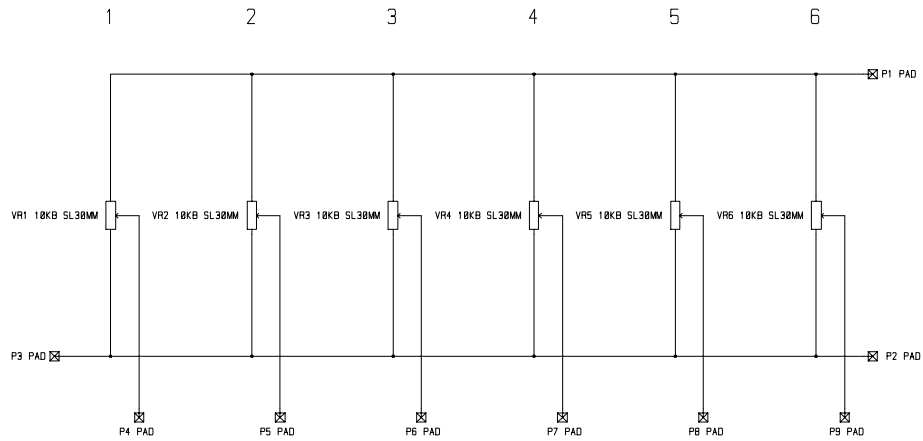
Input Sensitivity - GAIN & VOLUME TO MAXIMUM, ALL EQ FLAT
 Input sensitivity PASSIVE = 7mV
 ACTIVE = 14mV



GRAPHIC SLIDER PCB 8997_4

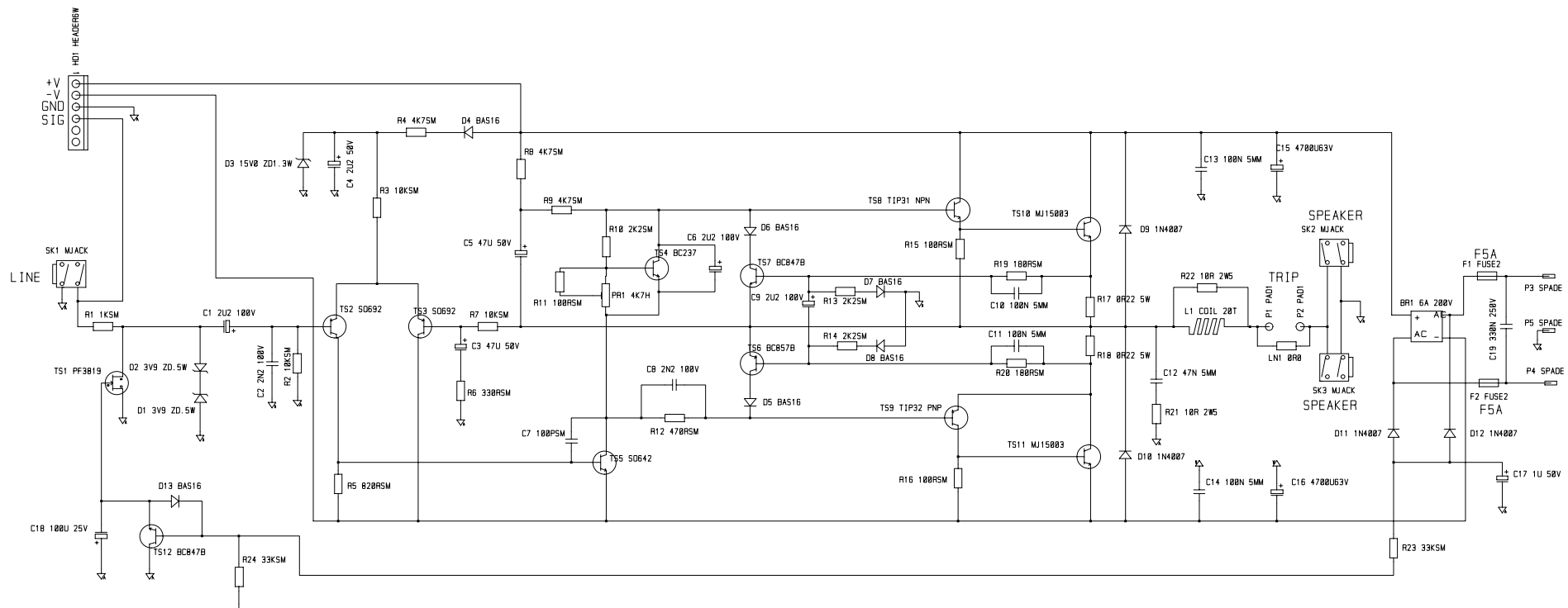
DRAWN	DEH
DATE	12/3/99
TITLE	GRAPHIC BASS PREAMP
DRW. NO.	9057_3

ISSUE	ISSUE 3 24/02/98
TYPE	FX SOCKETS ADDED



DRAWN	DEH
DATE	09/11/94
TITLE	GFX SLIDER BOARD
DRW. NO.	8997_4

ISSUE					
TYPE					



Notes
 For 150W Models F1 + F2 should be F4A
 For 100 - 120W Models F1 and F2 should be F3.15A

DRAWN	DEH
DATE	17/10/96
TITLE	120W/150W OUTPUT PCB
DRW. NO.	9115_3

ISSUE	3	3	3		
TYPE	LAYOUT CHANGE 22/01/97	R8 & R9 CHANGED FROM 2K2 TO 4K7 - 7/4/97 SEE CHANGE NOTE No. 96	F1 and F2 Changed See Change Note 197		