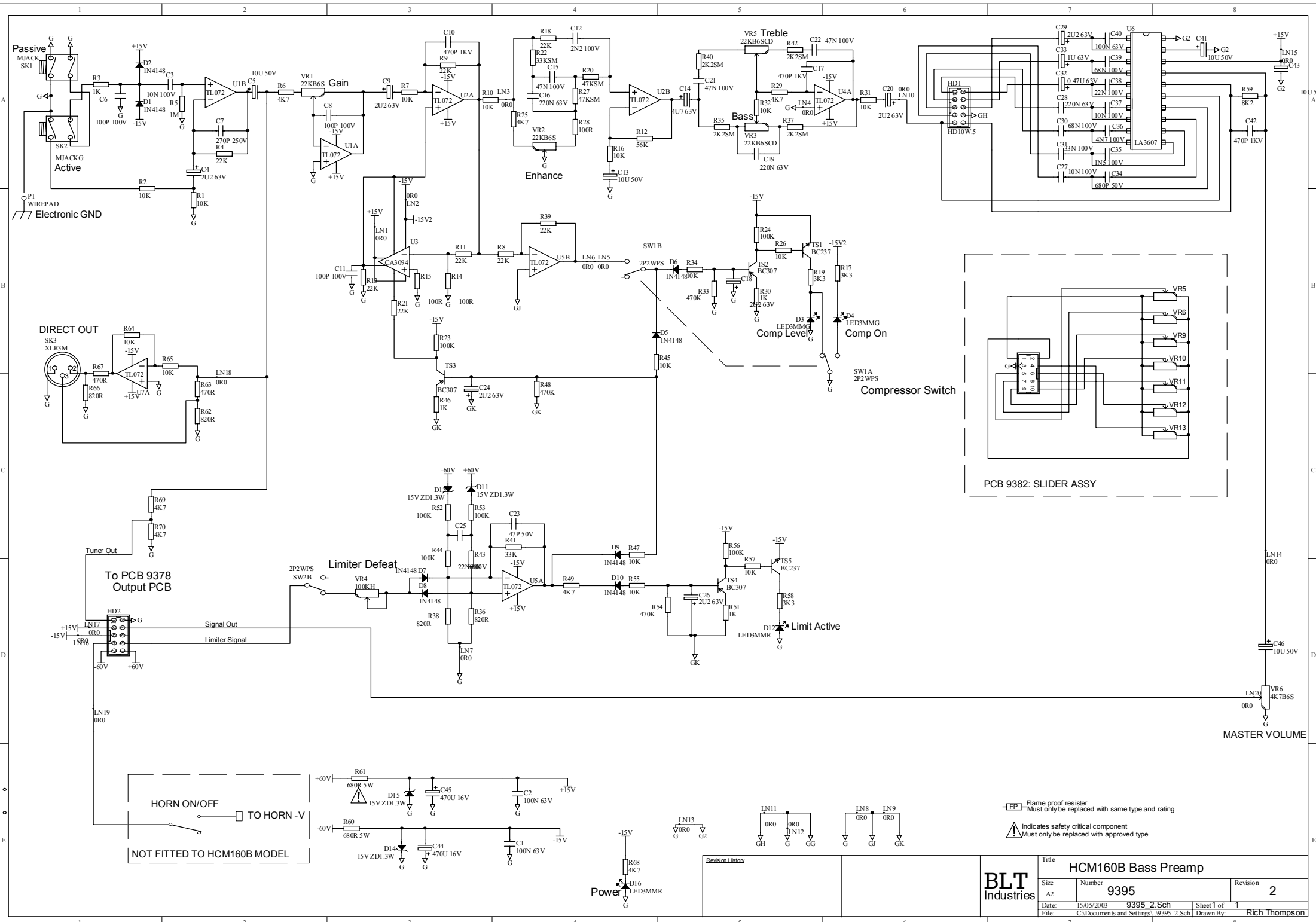


HCM160B

Service Information

Laney
Classic British Amplification

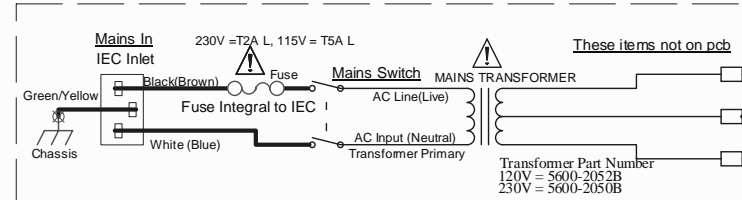
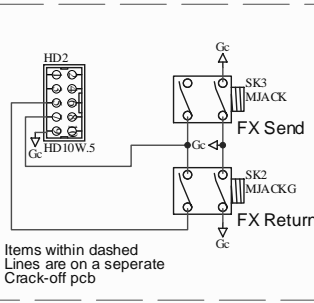
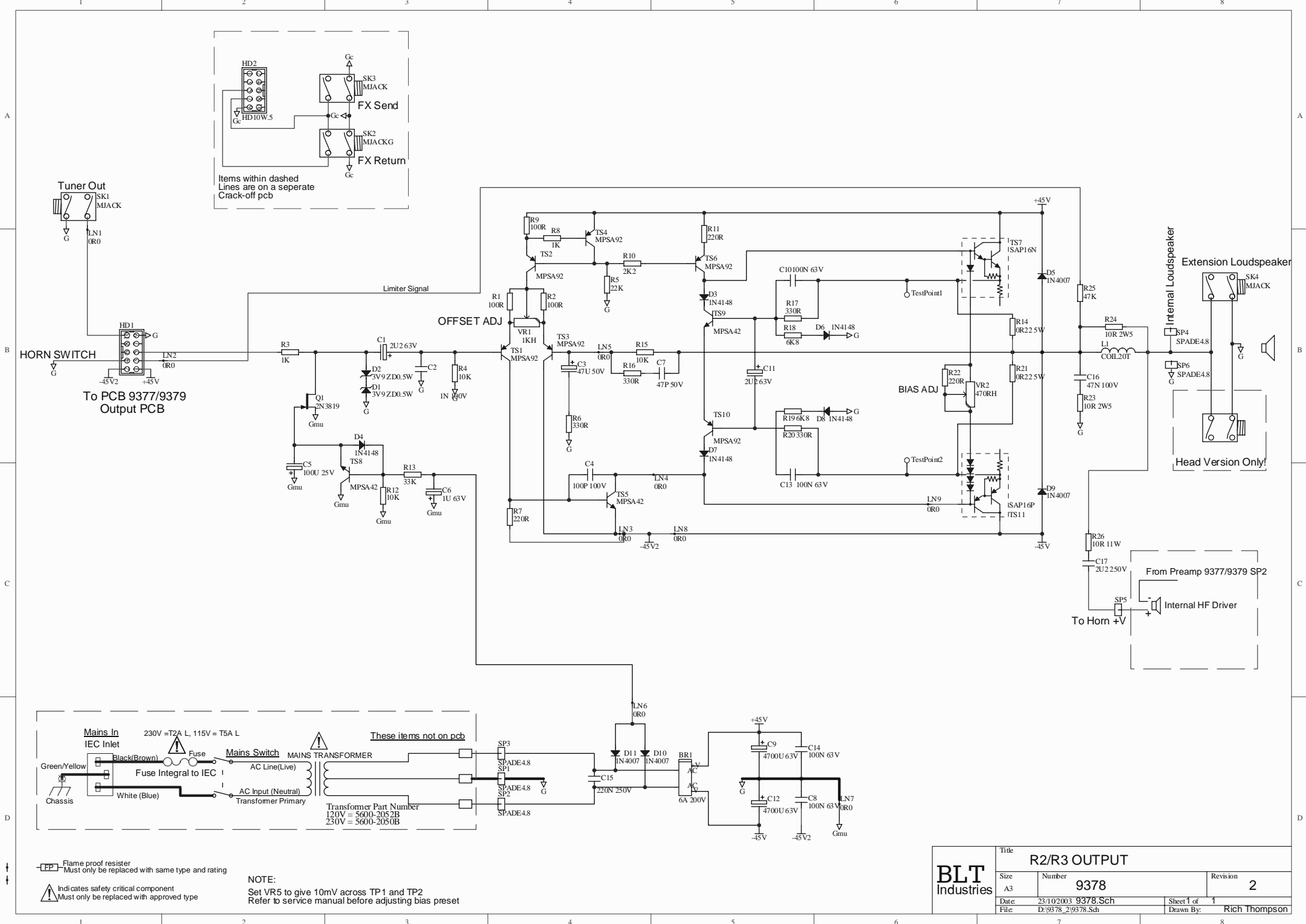
Newlyn Road, Cradley Heath, West Midlands. B64 6BE
www.laney.co.uk



Flame proof resistor
 Must only be replaced with same type and rating
 Indicates safety critical component
 Must only be replaced with approved type

Revision History	

Title		HCM160B Bass Preamp	
Size	Number	Revision	
A2	9395	2	
Date:	15/05/2003	9395 2.Sch	Sheet 1 of 1
File:	C:\Documents and Settings\19395_2.Sch	Drawn By:	Rich Thompson



Flame proof resistor
Must only be replaced with same type and rating

Indicates safety critical component
Must only be replaced with approved type

NOTE:
Set VR5 to give 10mV across TP1 and TP2
Refer to service manual before adjusting bias preset

BLT Industries		Title R2/R3 OUTPUT	
		Size A3	Number 9378
Date: 25/10/2003 9378.Sch	Sheet 1 of 1	Revision 2	Drawn By: Rich Thompson
File: D:\9378_2\9378.Sd1			