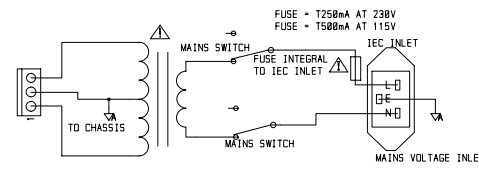
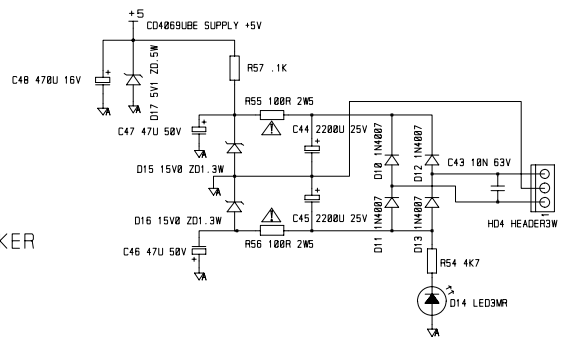
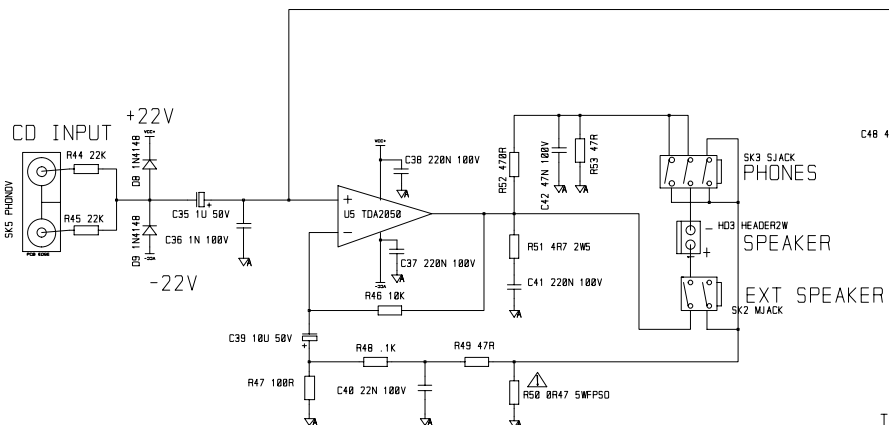
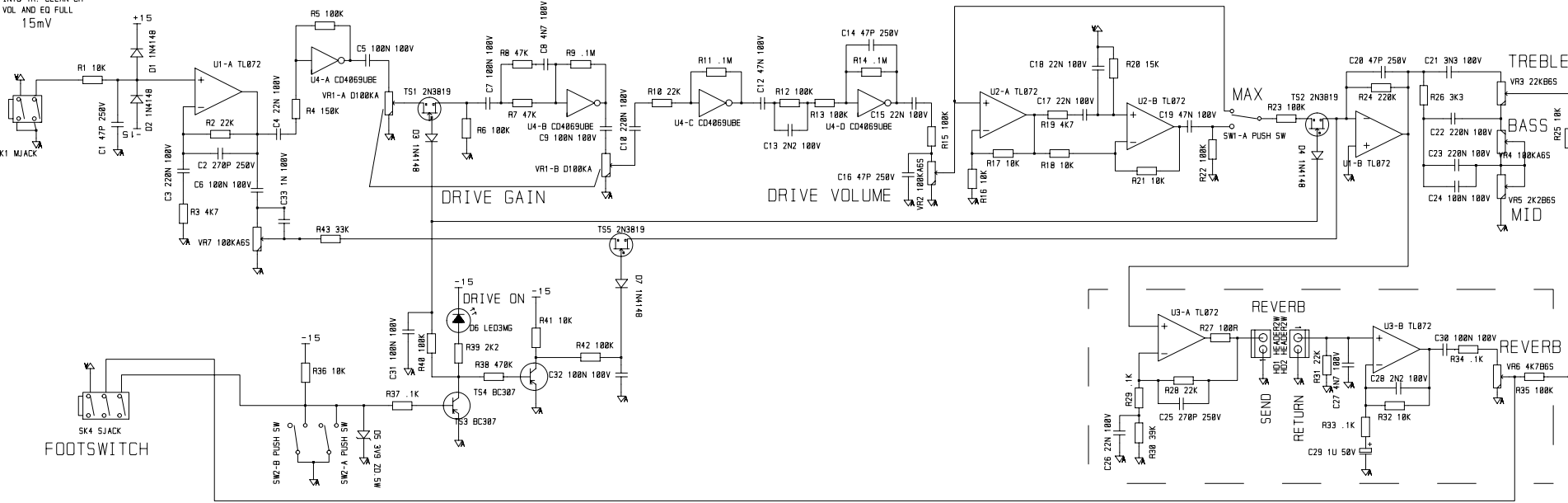
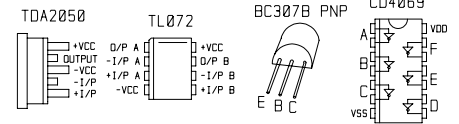


INPUT SENSITIVITY
 INTO 4R. CLEAN CH
 VOL AND EQ FULL
 15mV



INDICATES SAFETY CRITICAL COMPONENT
 MUST BE REPLACED WITH SAME TYPE AND RATING

FLAMEPROOF RESISTOR. MUST ONLY BE REPLACED WITH SAME TYPE AND RATING



DRAWN	R. S. T
DATE	25/07/01
TITLE	HARDCORE MAX HCM30/R
DRW. NO.	9346_4

ISSUE	ISSUE 3 REVERB DRIVE CORRECTED PSU HEADER CHANGED TO 0.15						
TYPE							