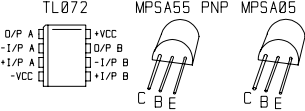
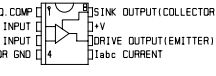
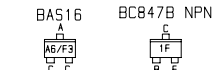
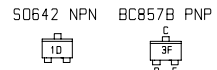
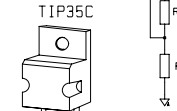
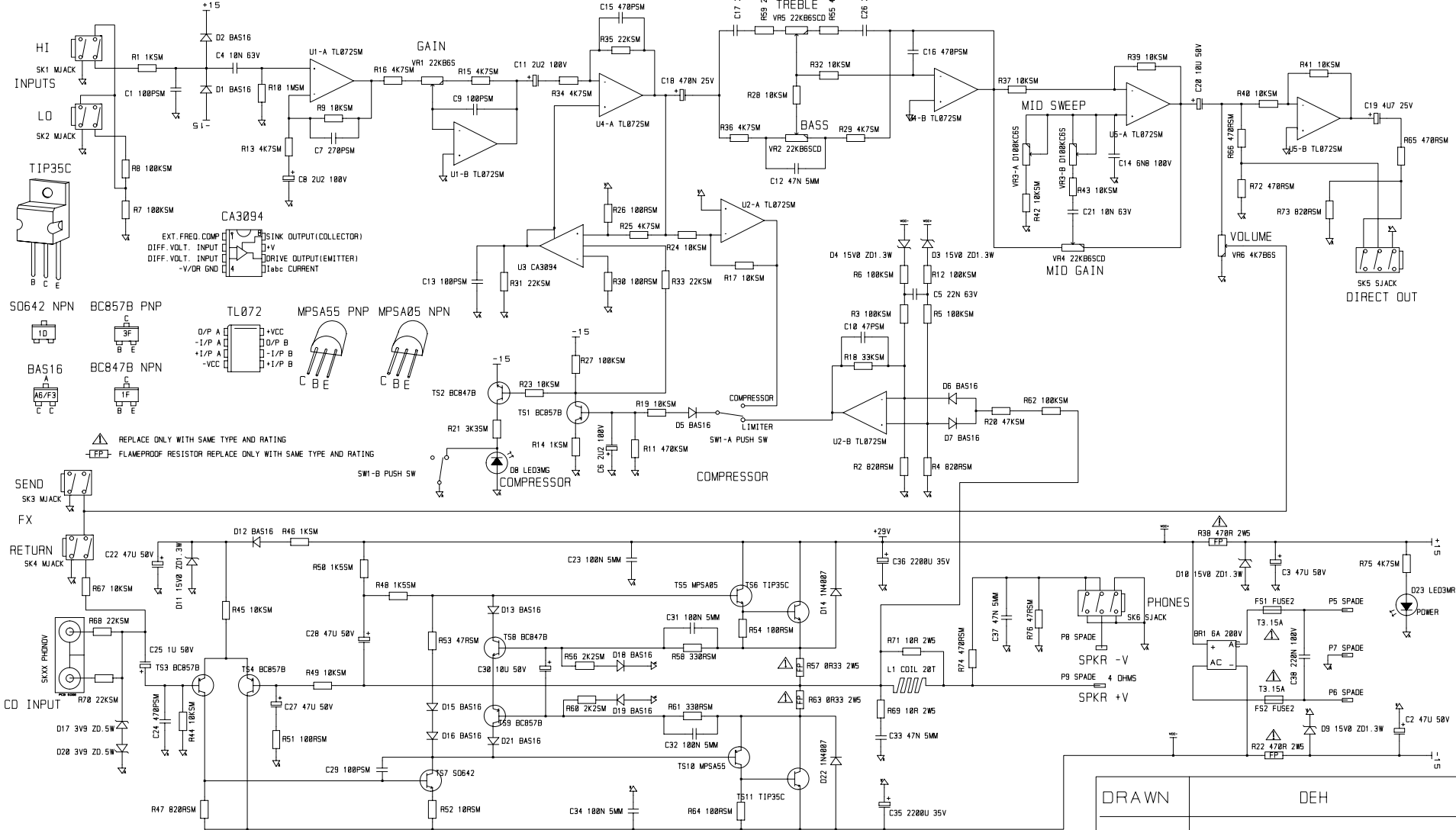


# Laney

**Service Diagrams**



-INPUT SENSITIVITY INTO 4R (PASSIVE)  
 EQ FLAT, GAIN, VOL FULL  
 200MW 1/P = 15V D/P JUST CLIPPED  
 \*LIMITER ACTIVE WITH 100MW 1/P GAIN, VOL HALF, O/P 10V



REPLACE ONLY WITH SAME TYPE AND RATING  
 FLAMEPROOF RESISTOR REPLACE ONLY WITH SAME TYPE AND RATING

DRAWN	DEH
DATE	15/02/99
TITLE	HCM60B
DRW. NO.	9313_2