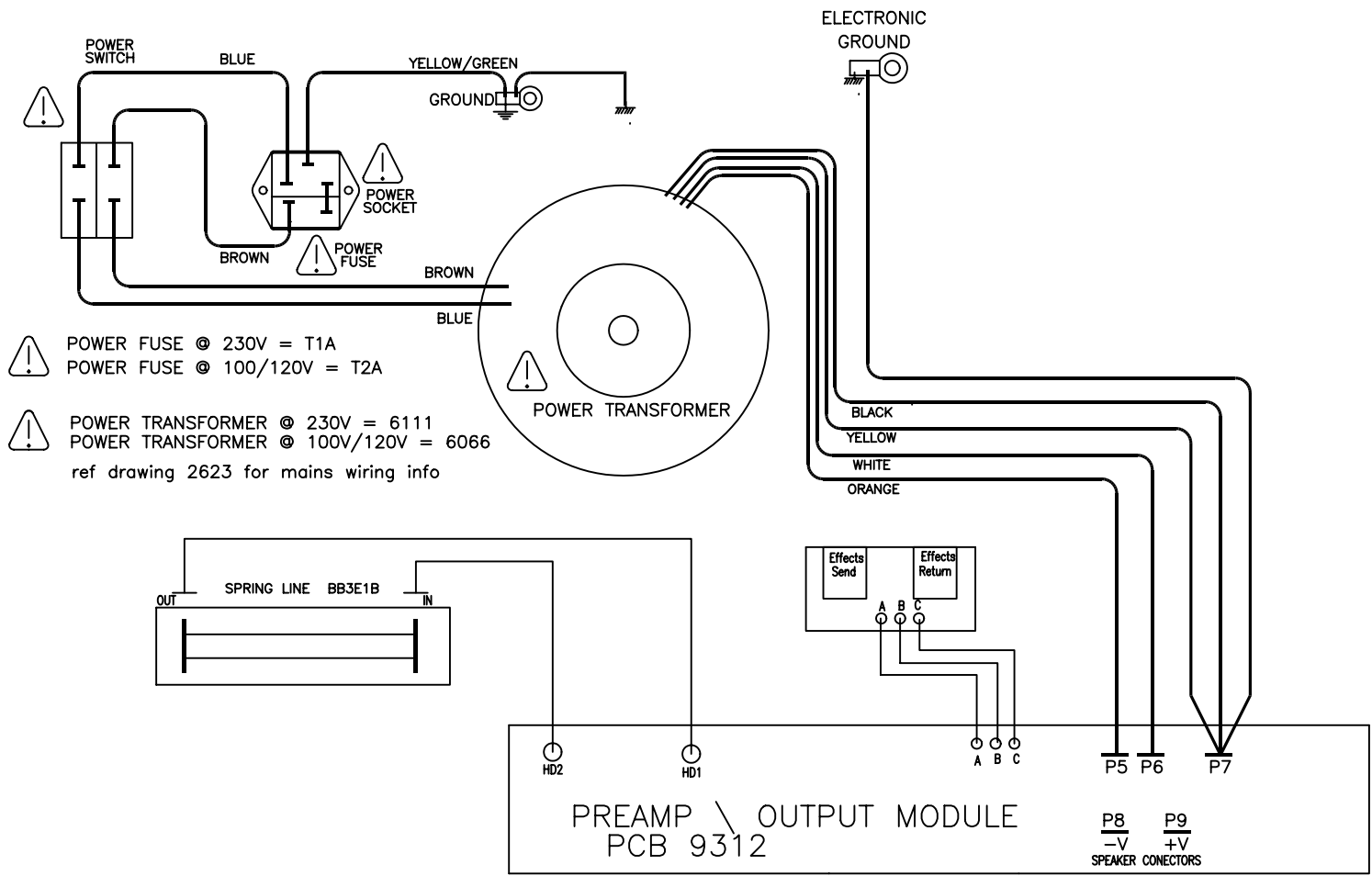


Laney

Service Diagrams

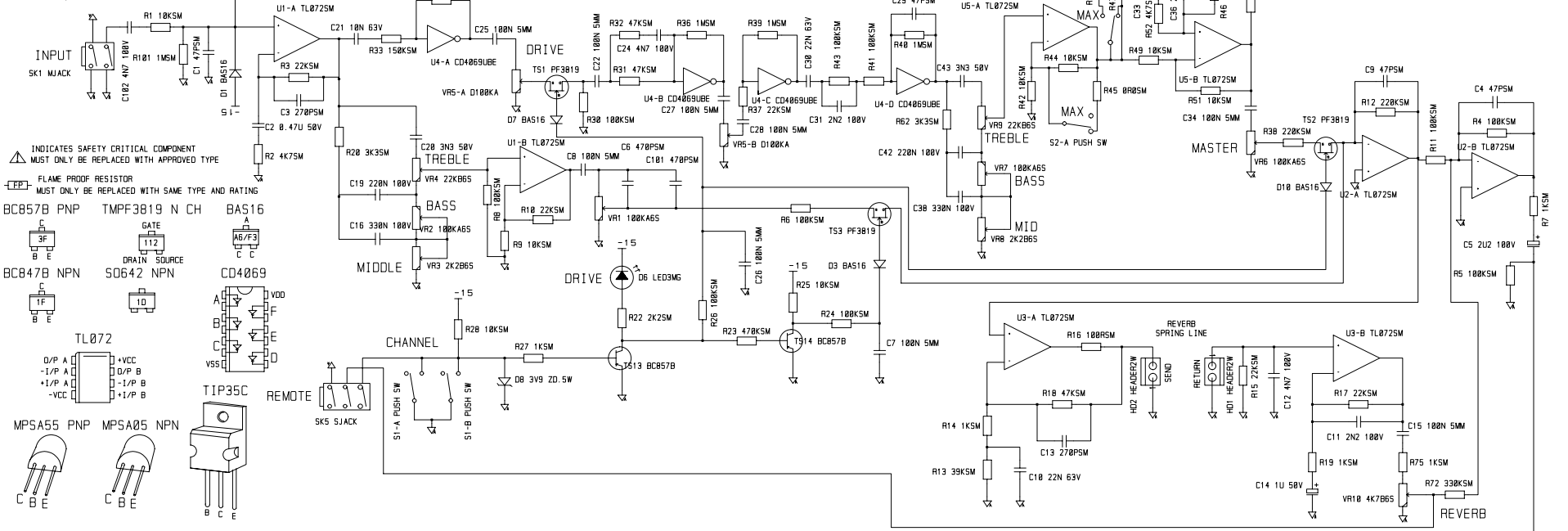


! = ONLY REPLACE WITH SAME TYPE AND RATING

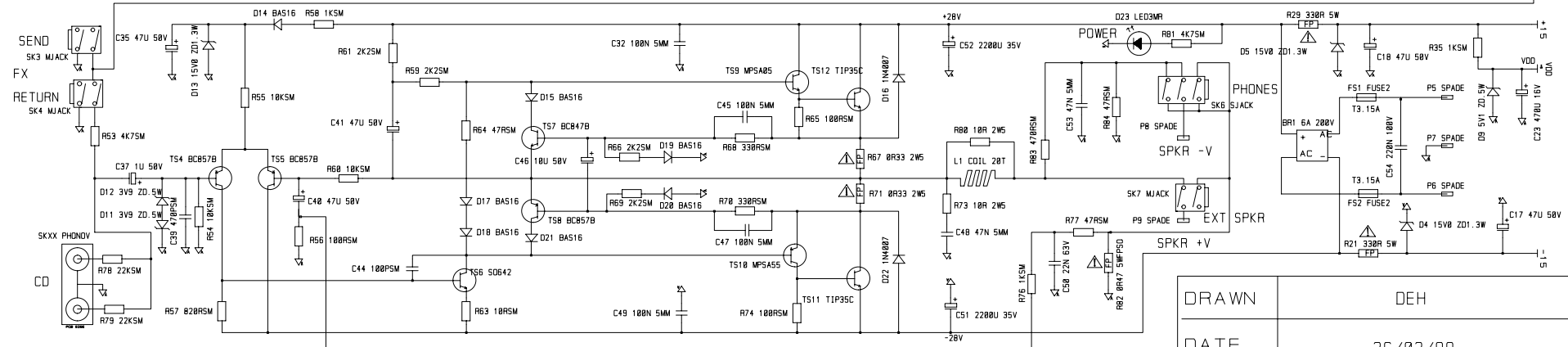
ISSUE	DESCRIPTION	APPD.	DATE	TITLE	DRAWN	TRACED	CHECKED	APPROVED	DATE
				BLT <i>Industries Ltd.</i>	HCM60R SERVICE DIAGRAM PART No	R.J.F			13/01/99
						DRAWING No.	2899		

INPUT SENSITIVITY

CLEAN + CRUNCH VOLUME FULL UP
 CRUNCH +4, BOTH EQ FULL UP
 MAX SWITCH OFF
 INPUT @25mV, OUTPUT INTO 4r 14V



- INDICATES SAFETY CRITICAL COMPONENT
 MUST ONLY BE REPLACED WITH APPROVED TYPE
- FLAME PROOF RESISTOR
 MUST ONLY BE REPLACED WITH SAME TYPE AND RATING
- BC857B PNP TMPF3819 N CH BAS16
 BC847B NPN S0642 NPN
- CD4069
 TL072
 TIP35C
- MPSA55 PNP MPSA05 NPN



CD INPUT SENSITIVITY - 800mV INTO 4r (BOTH SIDES DRIVEN)

DRAWN	DEH
DATE	26/02/99
TITLE	HCM60R
DRW. NO.	9312_2