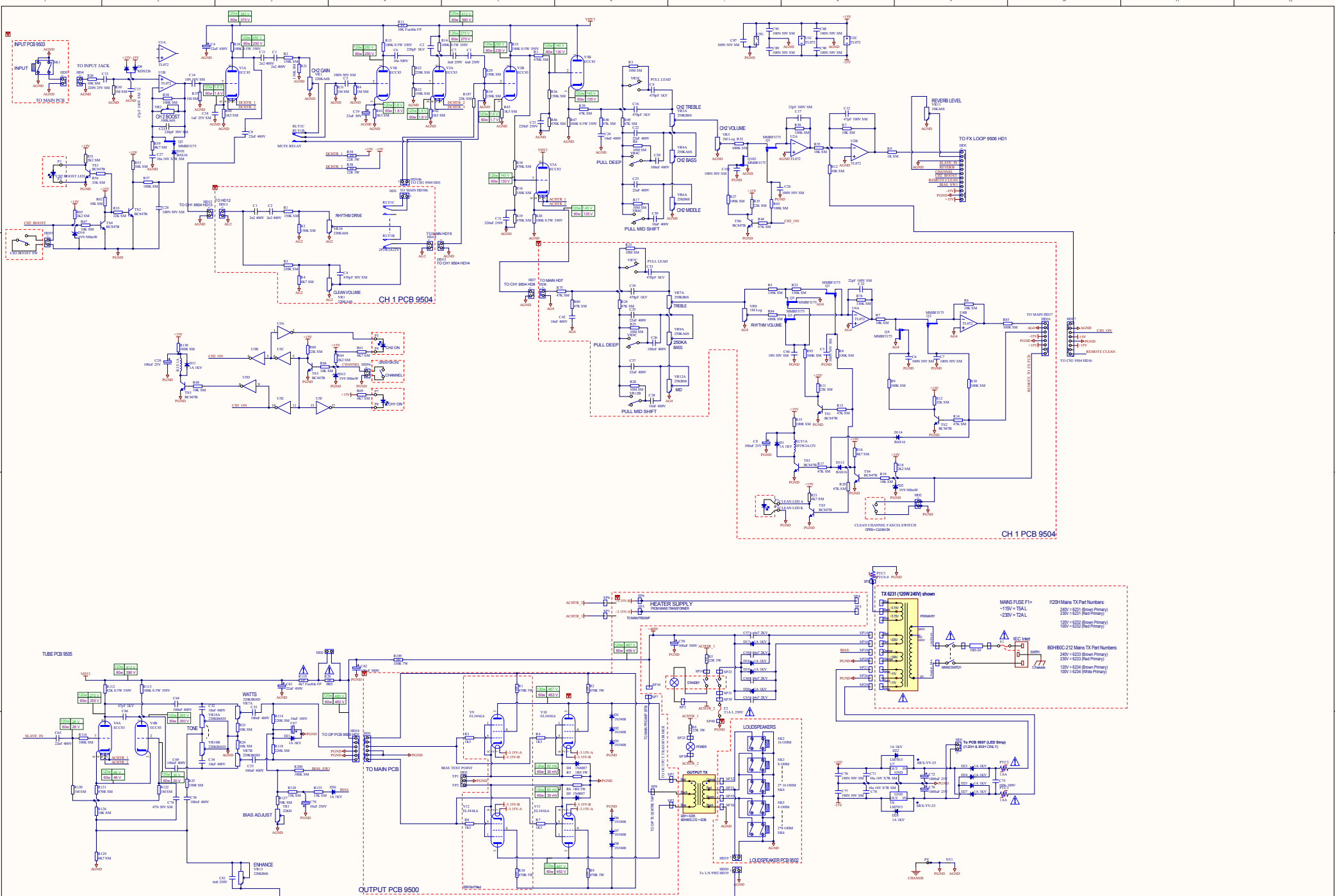


IRT60-212

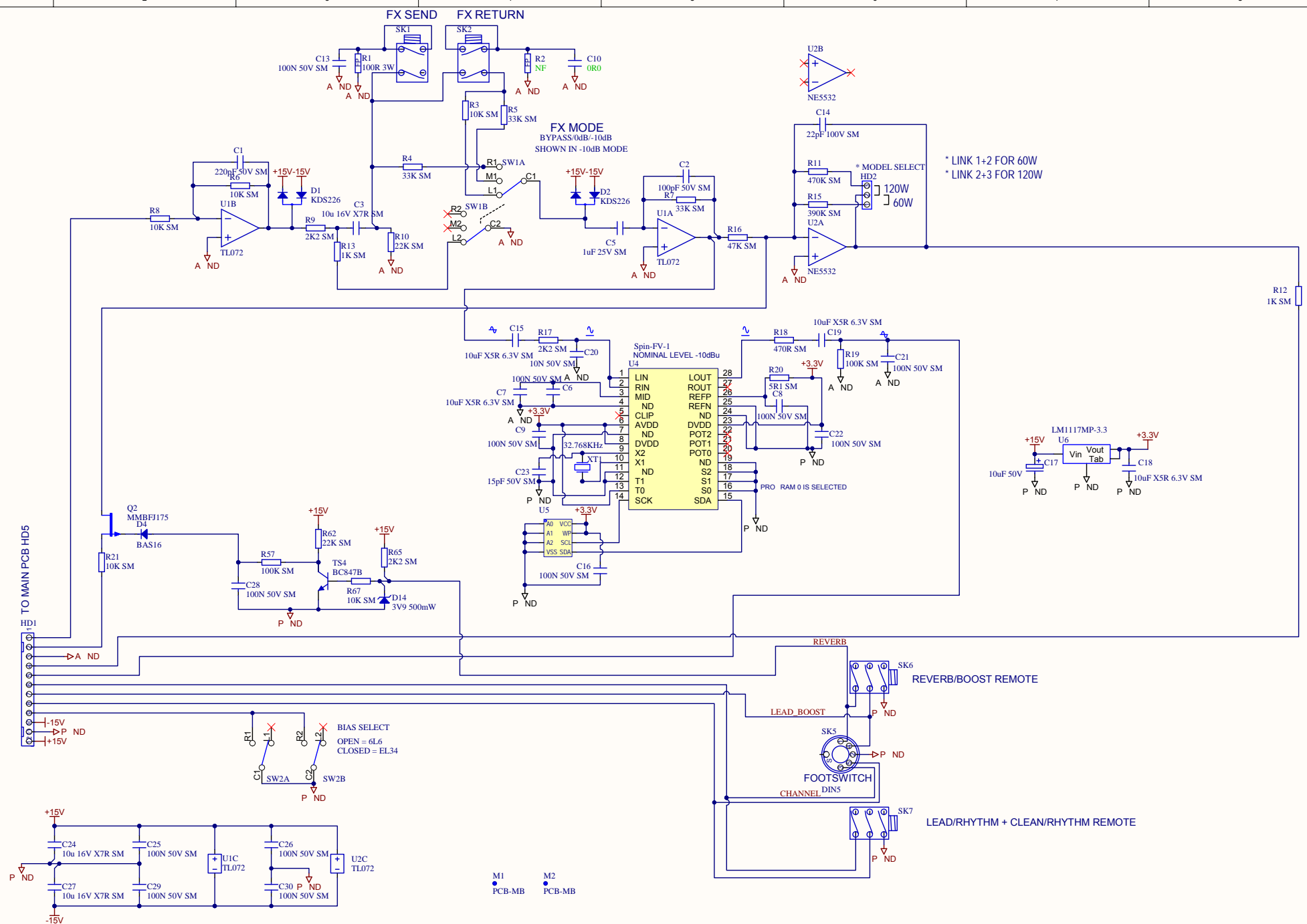
Service Information

Laney
POWER TO THE MUSIC
www.laney.co.uk



⚡ Flame Proof Resistor.
 ⚡ Must only be replaced with same type and rating.
 ⚡ Inductor safety critical component.
 ⚡ Must only be replaced with approved type.





* LINK 1+2 FOR 60W
 * LINK 2+3 FOR 120W

Spin-FV-1 NOMINAL LEVEL -10dBu U4	
1	LIN
2	RIN
3	MID
4	CLIP
5	REFP
6	REFN
7	ND
8	AVDD
9	DVDD
10	POT2
11	DVDD
12	POT1
13	POT0
14	ND
15	X1
16	S2
17	S1
18	T0
19	S0
20	SDA
21	SCK
22	ND
23	ND
24	ND
25	ND
26	ND
27	LOUT
28	ND

Title: FX Loop PCB		
Size: A3	Number: 9506	Revision: 6
Date: 02/10/2012	Time: 16:54:08	Sheet 1 of 1
Original File: 9506.SchDoc		

Steelpark Road
 Coombs Wood
 Industrial Estate West
 Halesowen
 UK
www.laney.co.uk

⚠ Indicates safety critical component
 Must only be replaced with approved type

Model No. IRT60-212 (2011)					
SPARES ITEM	DESCRIPTION	PART No.	Qty. in Assy		
Transformers	100V	Ironheart 60W 100/120V Mains T	006234	1	
	120V				
	230V	Ironheart 60W 230/240V Mains T	006233	1	
	240V				
	Output	Ironheart 60W Output T	006236	1	
Switches & Indicator Lamps	Power Standby	R13-428 DPST Toggle Switch	007685	2	
	Indicator	Red Jewel Bulb Holder	007684	2	
	Clean				
	Pre Boost Rhythm	DPDT 20V 2A Chrome Toggle Switch	007209	3	
Mains Inlet Skt & Fuses	100-120V	T5A L 20mm Spiral Wound Fuse	005531	1	
	220-240V	T2A L 20mm Spiral Wound Fuse	005526	1	
	HT	T500mA L 20mm Spiral Wound Fuse	005566	1	
	HT Fuse Holder	20mm Chassis Mounted Fuse Holder	008095	1	
	In Skt	IEC Mains Inlet Fused	005005	1	
Wiring Looms		150mm 6W Ribbon Cable Loom	007710	1	
		75mm 8W Ribbon Cable Loom	008001	1	
		200mm 12W Ribbon Cable Loom	008003	1	
PCBs		9500 - Output Tube (2011) (Dual EL34/6L6) PCB Complete	008060	1	
		1R0 3W RX Coated Wire Wound Resistor	007366	2	
		470R 5W Resistor Wirewound Ceramic (Square Type)	001700	4	
		Octal Tube Socket With Etched Mounting Hole (PCB Mount)	007551	4	
		9502 - Loudspeaker Connection PCB Complete	008062	5	
		6.3mm Jack Socket Horizontal Type (Mono)	005002	1	
		9503 - Jack Input PCB Complete	008063	1	
		6.3mm Jack Socket Horizontal Type (Mono)	005002	1	
		9504 - Ironheart (2011) Channel 1 PCB Complete	008064	1	
	Pots	VR-1 Clean Volume	220K Log Potentiometer 6mm Spline Shaft	004078	2
		VR-10 Rhythm Gain			
		VR-9 CH1 Bass	250K Log Potentiometer 6mm Spline Shaft, Push/Pull Shaft	008070	1
		VR-12 CH1 Mid	25K Lin Potentiometer 6mm Spline Shaft, Push/Pull Shaft	008071	1
		VR-7 Ch1 Treble	250K Lin Potentiometer 6mm Spline Shaft, Push/Pull Shaft	008072	1
		VR-8 CH1 Volume	1Meg Log Potentiometer 6mm Spline (With Support Bracket)	008069	1
		DPCO 2A 12V DC Relay Omron 5V-2-H1		007205	1
		9505 - Ironheart (2011) Channel 2 (Main) Complete PCB		008065	1
	Pots	VR-2 CH2 Boost	100K Log Potentiometer 6mm Spline	004062	1
		VR-1 CH2 Gain	220K Log Potentiometer 6mm Spline Shaft	004078	1
		VR-4 CH2 Bass	250K Log Potentiometer 6mm Spline Shaft, Push/Pull Shaft	008070	1
		VR-6 CH2 Mid	25K Lin Potentiometer 6mm Spline Shaft, Push/Pull Shaft	008071	1
		VR-3 CH2 Treble	250K Lin Potentiometer 6mm Spline Shaft, Push/Pull Shaft	008072	1
		VR-5 CH2 Volume	1M Log Potentiometer Dual 6mm Spline	004076	1
		VR-13 Dynamics	220K Lin 6mm Spline Potentiometer (With Support Bracket)	008073	1
		VR-14 Tone	220K Lin 6mm Spline Dual Potentiometer	007535	2
		VR-7 Watts			
		VR-11 Reverb	10K Log 6mm Spline Potentiometer (With Support Bracket)	008074	1
		22uF 450V Radial Electrolytic Capacitor		002015	2
		100uF 500V Electrolytic Capacitor		002032	2
		LM7815 15V Positive 1A Fixed Voltage Regulator		003901	1
		LM7915 15V Negative 1A Fixed Voltage Regulator		003902	1
		6A Polyswitch		007390	1
		1.6A Polyswitch		007403	2
		DPCO 2A 12V DC Relay Omron 5V-2-H1		007205	1
		22R 3W RX Coated Wire Wound Resistor		008075	4
		330R 7W 5% Horizontal Pluggable Standoff Resistor Wirewound Ceramic Square		008076	1
		B9A Tube Socket PCB Mount (Chassis Fixed) For ECC84 Tube		007531	4
		9506 - Ironheart (2011) Effects PCB Complete PCB		008066	1
		5 Pin DIN Socket, PCB Mounted		005016	1
		6.3mm Jack Socket Horizontal Type (Mono)		005002	1
		6.3mm Jack Socket Horizontal Type (Mono, old)		005096	1
		6.3mm Jack Socket Horizontal Type (Stereo)		005003	2
		4P3W Slide Switch, Horizontal, PCB Mount		530023	1
		2P2W Slide Switch, Horizontal, PCB Mount		008077	1
		9508- Mains Surge Guard PCB Complete		008068	1
	Cabinet		Laney Badge (Standard Font) 145mm Drg Ref:4011	007475	1
			H1280 12 80W Guitar Speaker 16 Ohm	007852	2
			IRT60-212 Fascia (Painted & Printed)	008085	1
			25mm Black Thumb Grip Control Knob DR REF:4352	008344	16
			25mm Knob Cup (2011) Red Drg Ref: 4353	008201	6
		25mm Knob Cup (2011) Black Drg Ref: 4353	008202	10	
		Bar Handle - Steel/Plastic - Top 90 Degree	007262	2	
		38mm X 15mm Rubber Foot with Steel Insert	007473	4	
		Metal Corner Black Non-Hooked Type	007035	8	
		FS4-IRT Foot Switch	FS4-IRT	1	
		Mains Lead - Country Dependant		1	
		Speaker Jack Lead. 1/4 Chrome Jack	010112	1	
		IRT60-212 Covered Cabinet NO Loudspeaker or Fittings	008086	1	
		IRT60-212 Rear grille	008087	1	
		IRT60-212 Covered Baffle	008088	1	
		IRT60-212 User Manual	008089	1	
		IRT60-212 Carton	008090	1	