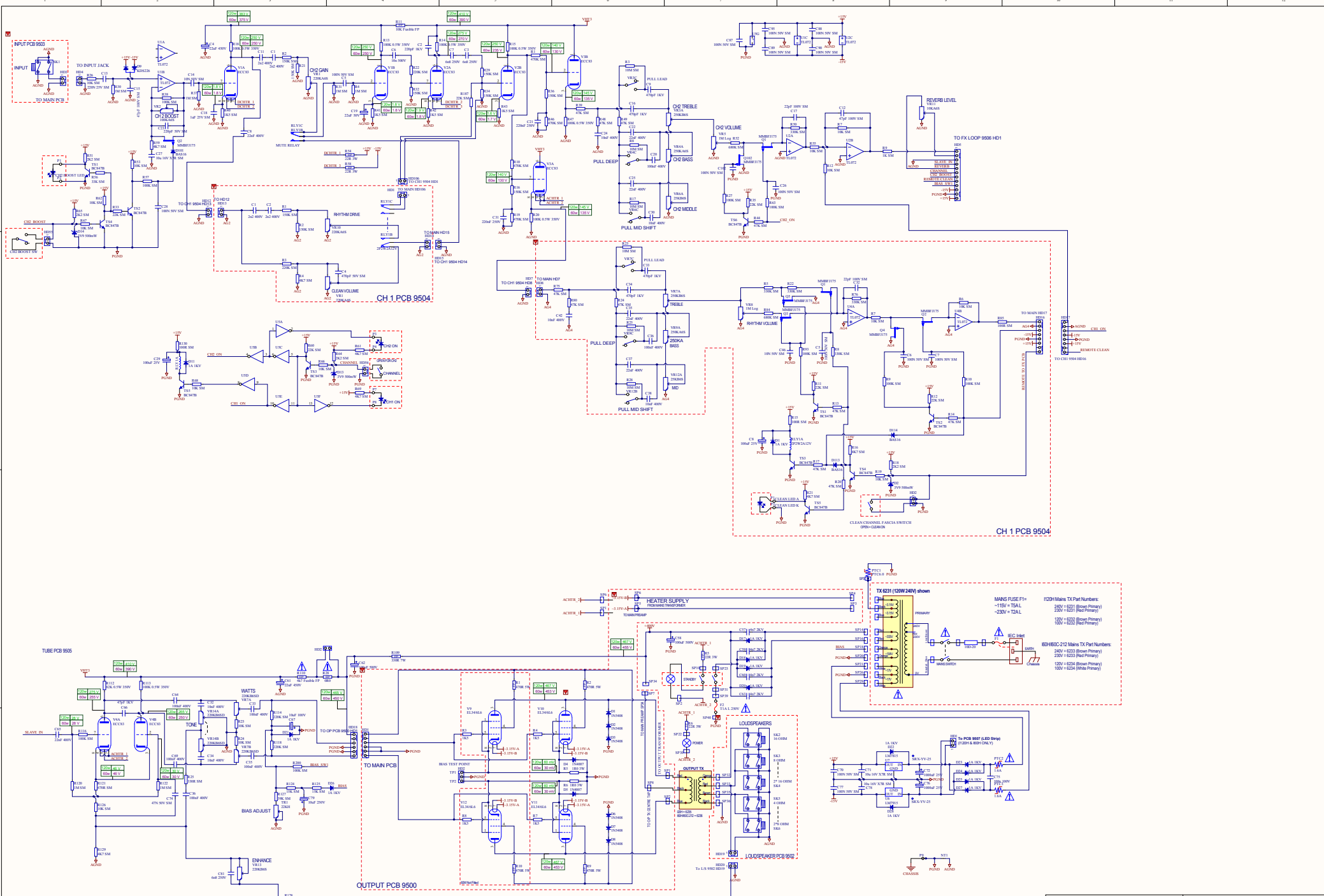


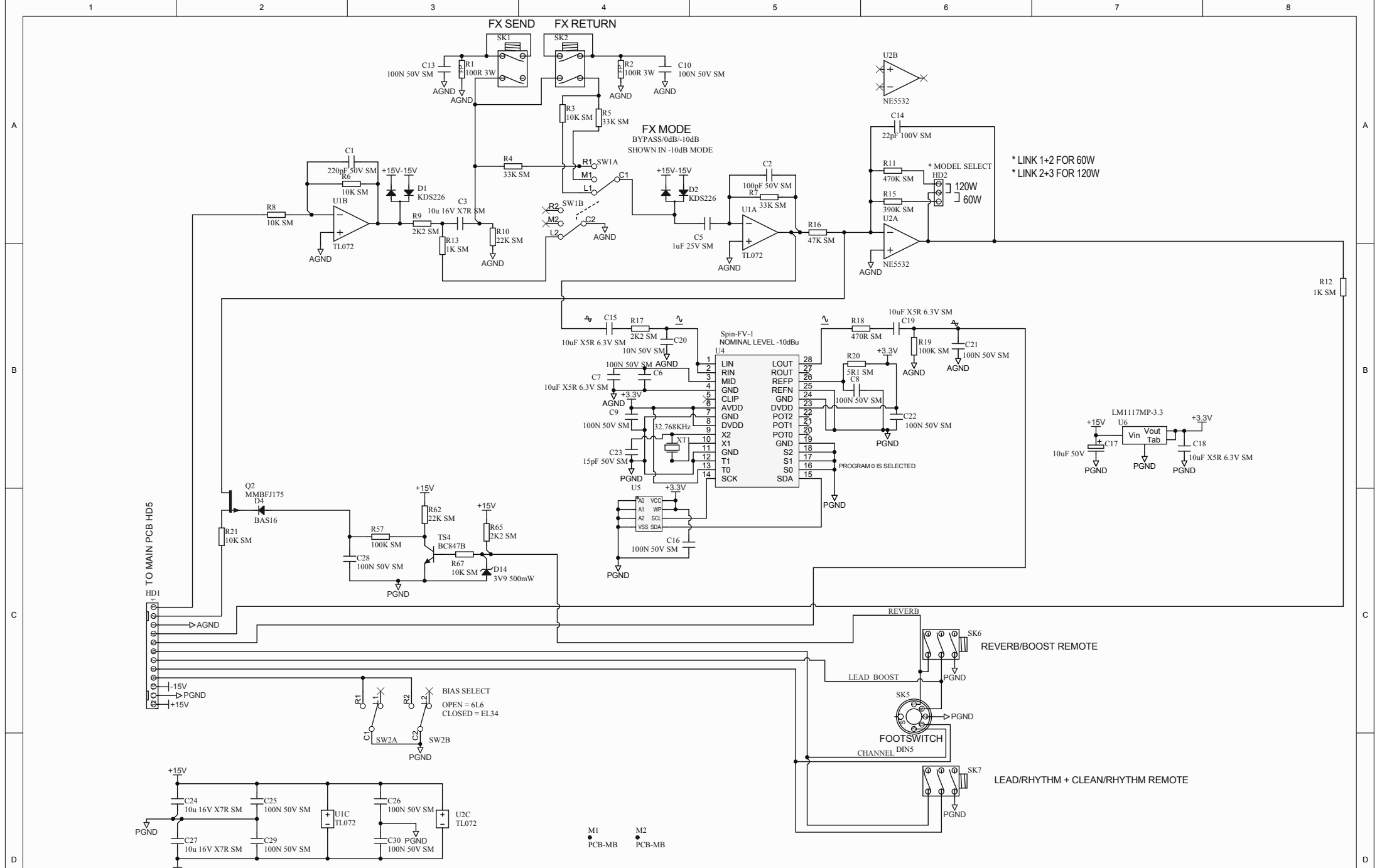
IRT60H

Service Information

Laney
POWER TO THE MUSIC
www.laney.co.uk



⚡ Flame Proof Resistor.
 ⚡ Must only be replaced with same type and rating.
 ⚡ Inductor safety critical component.
 ⚡ Must only be replaced with approved type.



* LINK 1+2 FOR 60W
* LINK 2+3 FOR 120W

TO MAIN PCB HD5

⚠ Indicates safety critical component
Must only be replaced with approved type

Title: Effects Loop/Reverb		Steelpark Road Coombs Wood Industrial Estate West Halesowen UK www.laney.co.uk	
Size: A3	Number: 9506	Revision: 6	
Date: 07/07/2011	Time: 16:23:50	Sheet 1 of 1	
Original File: 9506.SchDoc			

Model No. IRT60H (2011)						
SPARES ITEM	DESCRIPTION	PART No.	Qty. in Assy			
Transformers	100V 120V	Ironheart 60W 100/120V Mains T	006234	1		
	230V 240V	Ironheart 60W 230/240V Mains T	006233	1		
	Output	Ironheart 60W Output T	006236	1		
	Switches & Indicator Lamps	Power Standby	R13-428 DPST Toggle Switch	007685	2	
Indicator		Red Jewel Bulb Holder	007684	2		
Clean Pre Boost Rhythm		DPDT 20V 2A Chrome Toggle Switch	007209	3		
Mains Inlet Skt & Fuses		100-120V	T5A L 20mm Spiral Wound Fuse	005531	1	
	220-240V	T2A L 20mm Spiral Wound Fuse	005526	1		
	HT Fuse	T500mA L 20mm Spiral Wound Fuse	005566	1		
	HT Fuse Holder	20mm Chassis Mounted Fuse Holder	008095	1		
	In Skt	IEC Mains Inlet Fused	005005	1		
Wiring Looms	150mm 6W Ribbon Cable Loom		007710	1		
	75mm 8W Ribbon Cable Loom		008001	1		
	200mm 12W Ribbon Cable Loom		008003	1		
PCBs	9500 - Output Tube (2011) (Dual EL34/6L6) PCB Complete		008060	1		
	1R0 3W RX Coated Wire Wound Resistor		007366	2		
	470R 5W Resistor Wirewound Ceramic (Square Type)		001700	4		
	Octal Tube Socket With Extruded Mounting Hole (PCB Mount)		007551	4		
	9502 - Loudspeaker Connection PCB Complete		008062	5		
	6.3mm Jack Socket Horizontal Type (Mono)		005002	1		
	9503 - Jack Input PCB Complete		008063	1		
	6.3mm Jack Socket Horizontal Type (Mono)		005002	1		
	9504 - Ironheart (2011) Channel 1 PCB Complete		008064	1		
	Pots	VR-1	Clean Volume	220K Log Potentiometer 6mm Spline Shaft	004078	2
		VR-10	Rhythm Gain			
		VR-9	CH1 Bass	250K Log Potentiometer 6mm Spline Shaft, Push/Pull Shaft	008070	1
		VR-12	CH1 Mid	25K Lin Potentiometer 6mm Spline Shaft, Push/Pull Shaft	008071	1
		VR-7	Ch1 Treble	250K Lin Potentiometer 6mm Spline Shaft, Push/Pull Shaft	008072	1
		VR-8	CH1 Volume	1Meg Log Potentiometer 6mm Spline (With Support Bracket)	008069	1
		DPCO 2A 12V DC Relay Omron 5V-2-H1		007205	1	
		9505 - Ironheart (2011) Channel 2 (Main) Complete PCB		008065	1	
	Pots	VR-2	CH2 Boost	100K Log Potentiometer 6mm Spline	004062	1
		VR-1	CH2 Gain	220K Log Potentiometer 6mm Spline Shaft	004078	1
		VR-4	CH2 Bass	250K Log Potentiometer 6mm Spline Shaft, Push/Pull Shaft	008070	1
		VR-6	CH2 Mid	25K Lin Potentiometer 6mm Spline Shaft, Push/Pull Shaft	008071	1
		VR-3	CH2 Treble	250K Lin Potentiometer 6mm Spline Shaft, Push/Pull Shaft	008072	1
		VR-5	CH2 Volume	1M Log Potentiometer Dual 6mm Spline	004076	1
		VR-13	Dynamics	220K Lin 6mm Spline Potentiometer (With Support Bracket)	008073	1
		VR-14	Tone			
		VR-7	Watts	220K Lin 6mm Spline Dual Potentiometer	007535	2
		VR-11	Reverb	10K Log 6mm Spline Potentiometer (With Support Bracket)	008074	1
		22uF 450V Radial Electrolytic Capacitor		002015	2	
	100uF 500V Electrolytic Capacitor		002032	2		
	LM7815 15V Positive 1A Fixed Voltage Regulator		003901	1		
	LM7915 15V Negative 1A Fixed Voltage Regulator		003902	1		
	6A Polyswitch		007390	1		
	1.6A Polyswitch		007403	2		
	DPCO 2A 12V DC Relay Omron 5V-2-H1		007205	1		
	22R 3W RX Coated Wire Wound Resistor		008075	4		
	330R 7W 5% Horizontal Pluggable Standoff Resistor Wirewound Ceramic Square		007076	1		
	B9A Tube Socket PCB Mount (Chassis Fixed) For ECC84 Tube		007531	4		
	9506 - Ironheart (2011) Effects PCB Complete PCB		008066	1		
	5 Pin DIN Socket, PCB Mounted		005016	1		
	6.3mm Jack Socket Horizontal Type (Mono)		005002	1		
	6.3mm Jack Socket Horizontal Type (Mono, old)		005096	1		
	6.3mm Jack Socket Horizontal Type (Stereo)		005003	2		
	4P3W Slide Switch, Horizontal, PCB Mount		530023	1		
	2P2W Slide Switch, Horizontal, PCB Mount		008077	1		
	9507 - LED Strip Illumination PCB Complete		008067	1		
	9508 - Mains Surge Guard PCB Complete		008068	1		
	Cabinet	Laney Badge (Standard Font) 145mm Drg Ref:4011		007475	1	
		IRT120/60H Fascia (Painted & Printed)		008079	1	
		25mm Black Thumb Grip Control Knob DR REF:4352		008344	16	
		25mm Knob Cup (2011) Red Drg Ref: 4353		008201	6	
25mm Knob Cup (2011) Black Drg Ref: 4353		008202	10			
Bar Handle - Steel/Plastic - Top 90 Degree		007262	2			
38 10mm Rubber Foot with Steel Insert		008078	4			
Metal Corner Black Non-Hooked Type		007035	8			
FS4-IRT Foot Switch		FS4-IRT	1			
Mains Lead - Country Dependant			1			
IRT120/60H Covered Cabinet NO Fittings		008080	1			
IRT120/60H Rear Rille		008081	1			
IRT120/60H Front Rille		008082	1			
IRT120/60H User Manual		008083	1			
IRT120/60H Carton		008084	1			