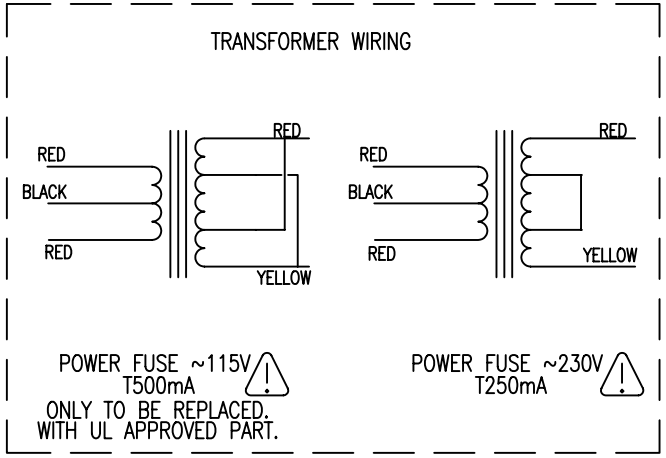
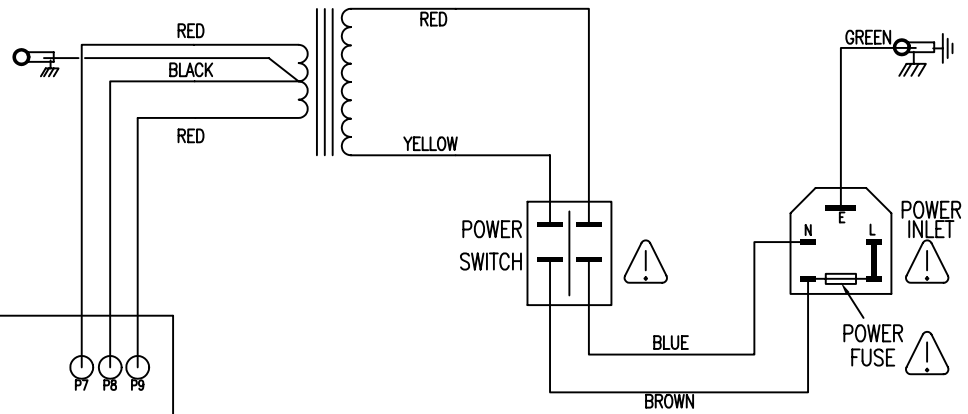
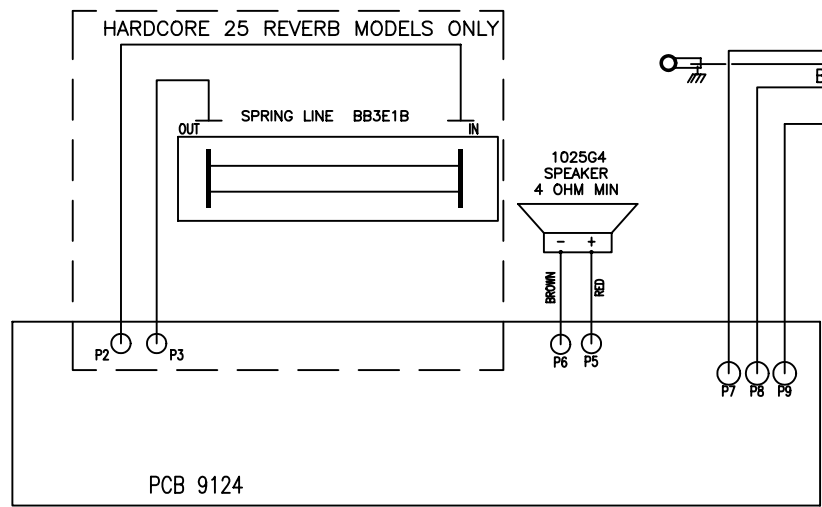


# Laney

**Service Diagrams**



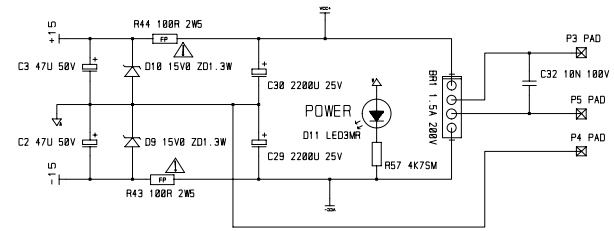
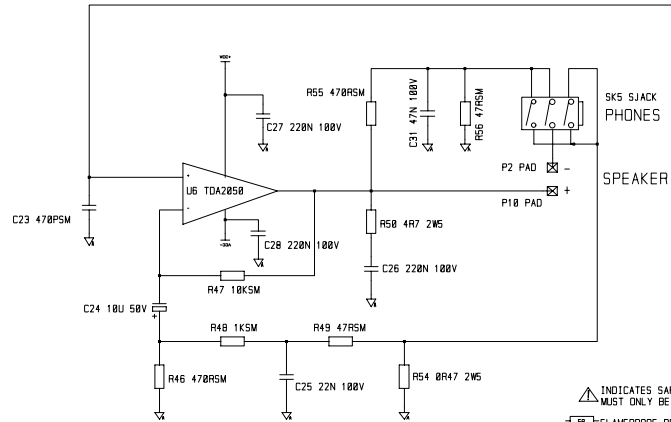
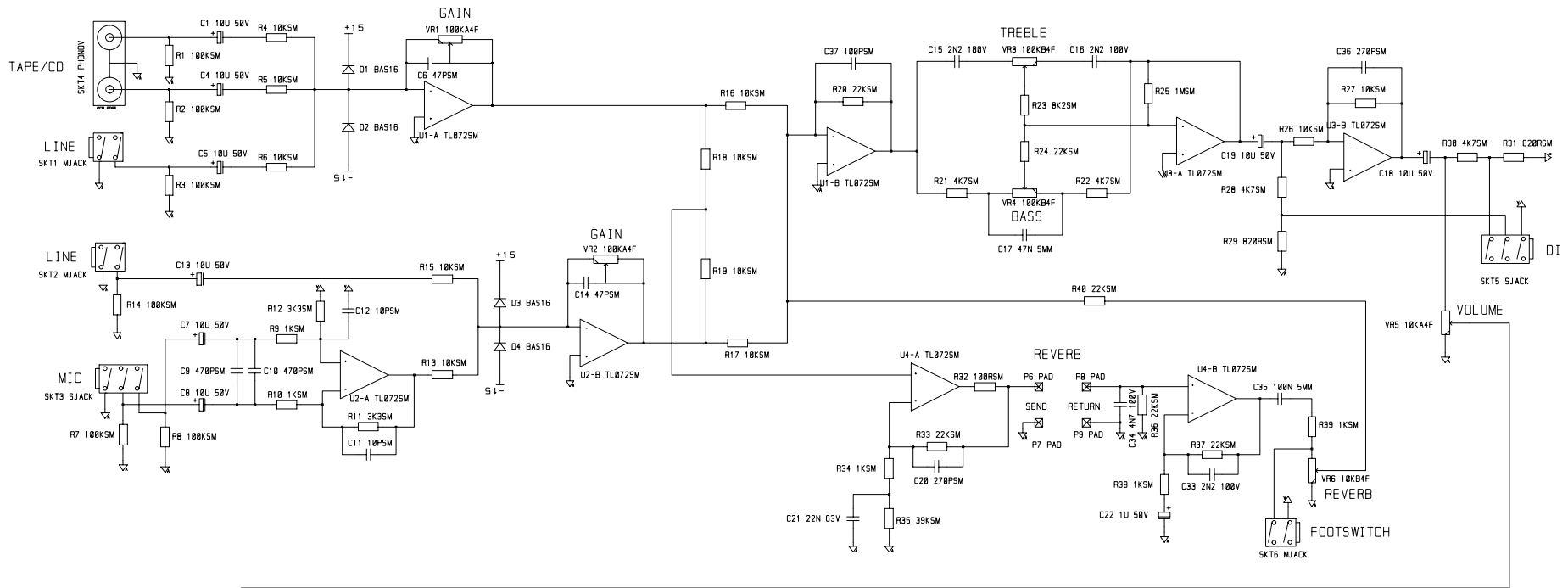
⚠ INDICATES SAFETY CRITICAL COMPONENT. MUST ONLY BE REPLACED WITH APPROVED TYPE.

ISSUE	DESCRIPTION	APPD.	DATE
3	UL MODIFICATIONS	S.L.	21/07/98
2	CABLE GLAND CHANGED TO A POWER INLET SOCKET	S.L.	18/04/97

**BLT**  
Industries Ltd.

**TITLE**  
KC25 SERVICE  
DIAGRAM  
PART No

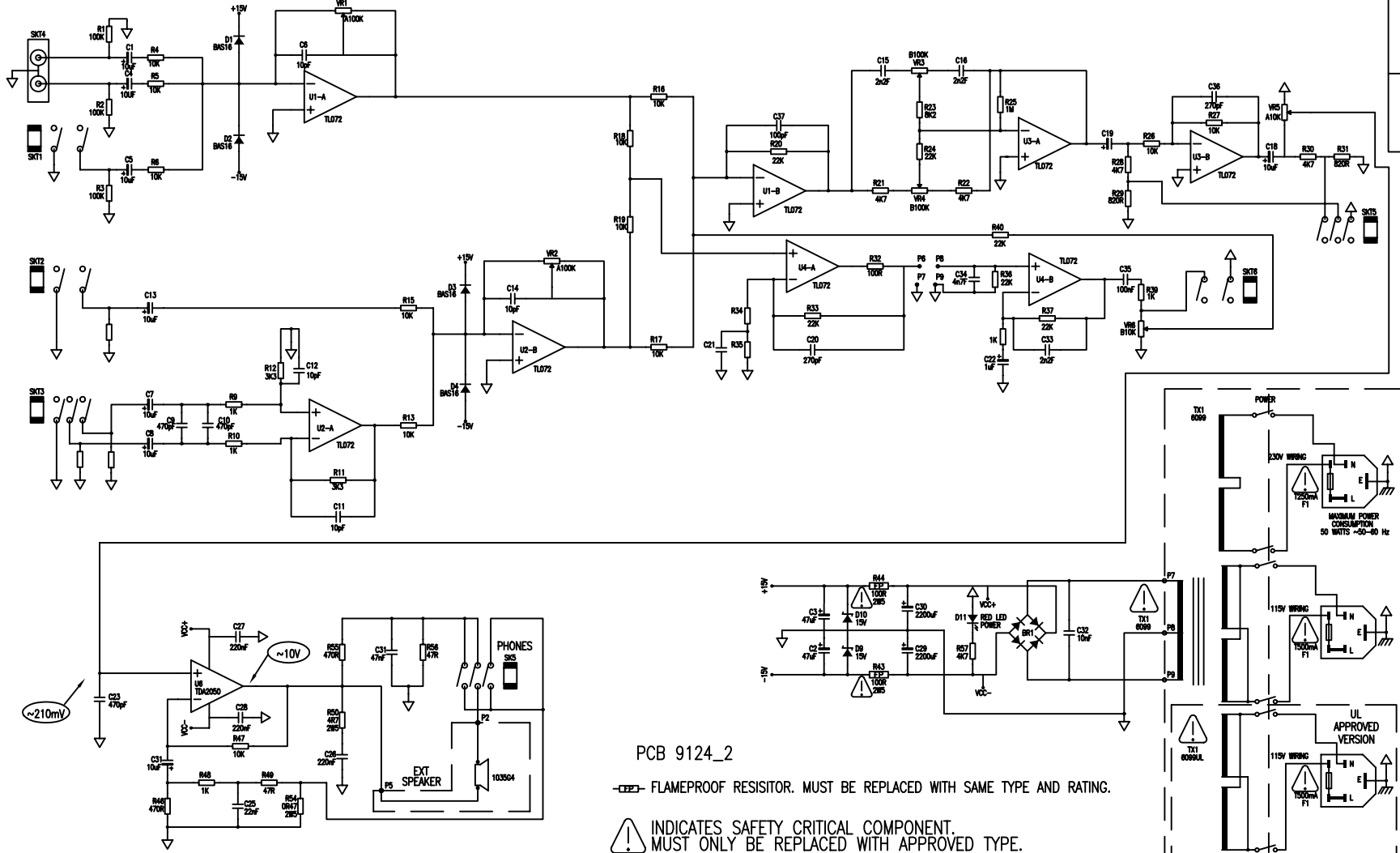
DRAWN	TRACED	CHECKED	APPROVED	DATE
S.L.				11/04/97
DRAWING No.		2622		



△ INDICATES SAFETY CRITICAL COMPONENT. MUST ONLY BE REPLACED WITH APPROVED TYPE.  
 □ FLAMEPROOF RESISTOR. MUST ONLY BE REPLACED WITH SAME TYPE AND RATING.

DRAWN	DEH
DATE	07/04/97
TITLE	KC25
DRW. NO.	9124_2

ISSUE	ISSUE 2						
TYPE	C6, C14 FROM 10PF >47PF SEE CHANGE NOTE 267						

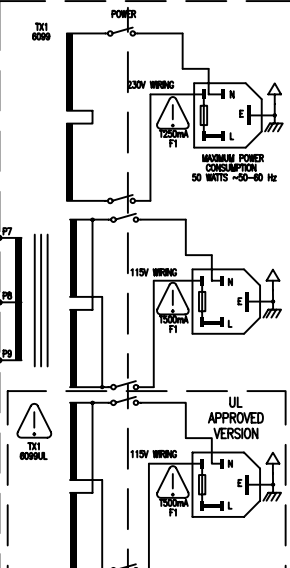


PCB 9124\_2

FLAMEPROOF RESISTOR. MUST BE REPLACED WITH SAME TYPE AND RATING.

INDICATES SAFETY CRITICAL COMPONENT. MUST ONLY BE REPLACED WITH APPROVED TYPE.

INDICATES SAFETY CRITICAL COMPONENT. MUST ONLY BE REPLACED WITH UL APPROVED TYPE.



ISSUE	DESCRIPTION	APPD. DATE	TITLE	DRAWN	TRACED	CHECKED	APPROVED	DATE
			KC25 SCHEMATIC	S.L.				26/07/98
			PART No	DRAWING No.		2844		

**BLT**  
Industries Ltd.