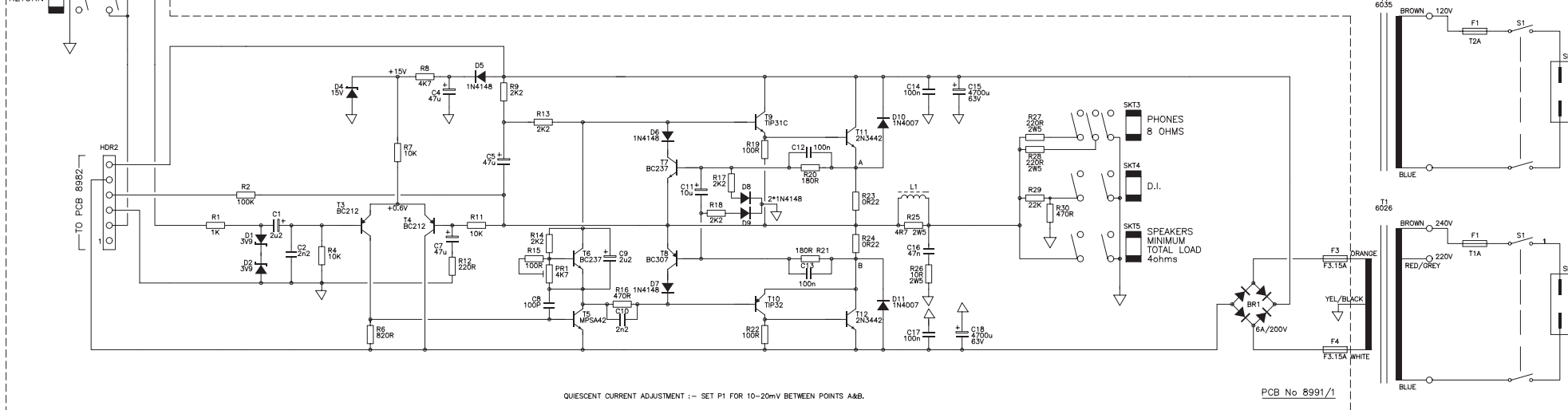


PCB No. 8965



PCB No. 8991/1

LANEY

KD65 SII CIRCUIT DIAGRAM

P.A.F.

7/9/89