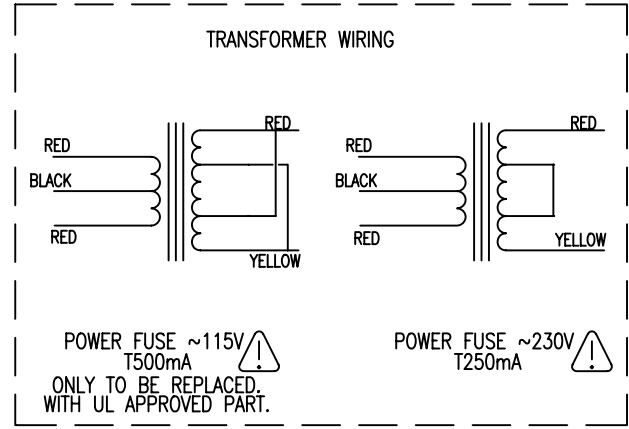
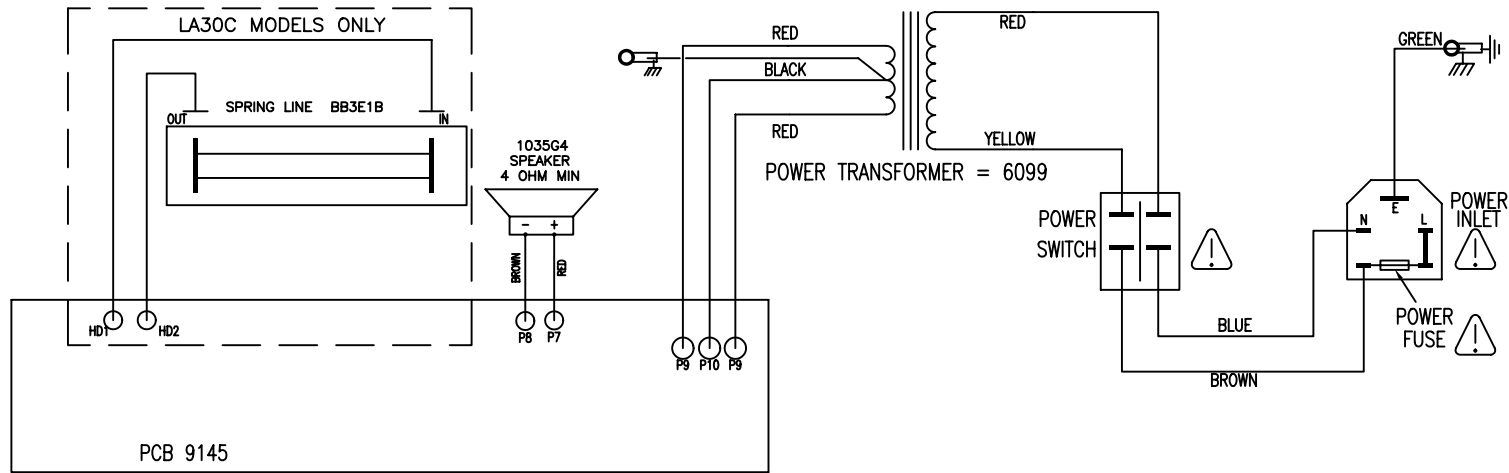


Laney

Service Diagrams



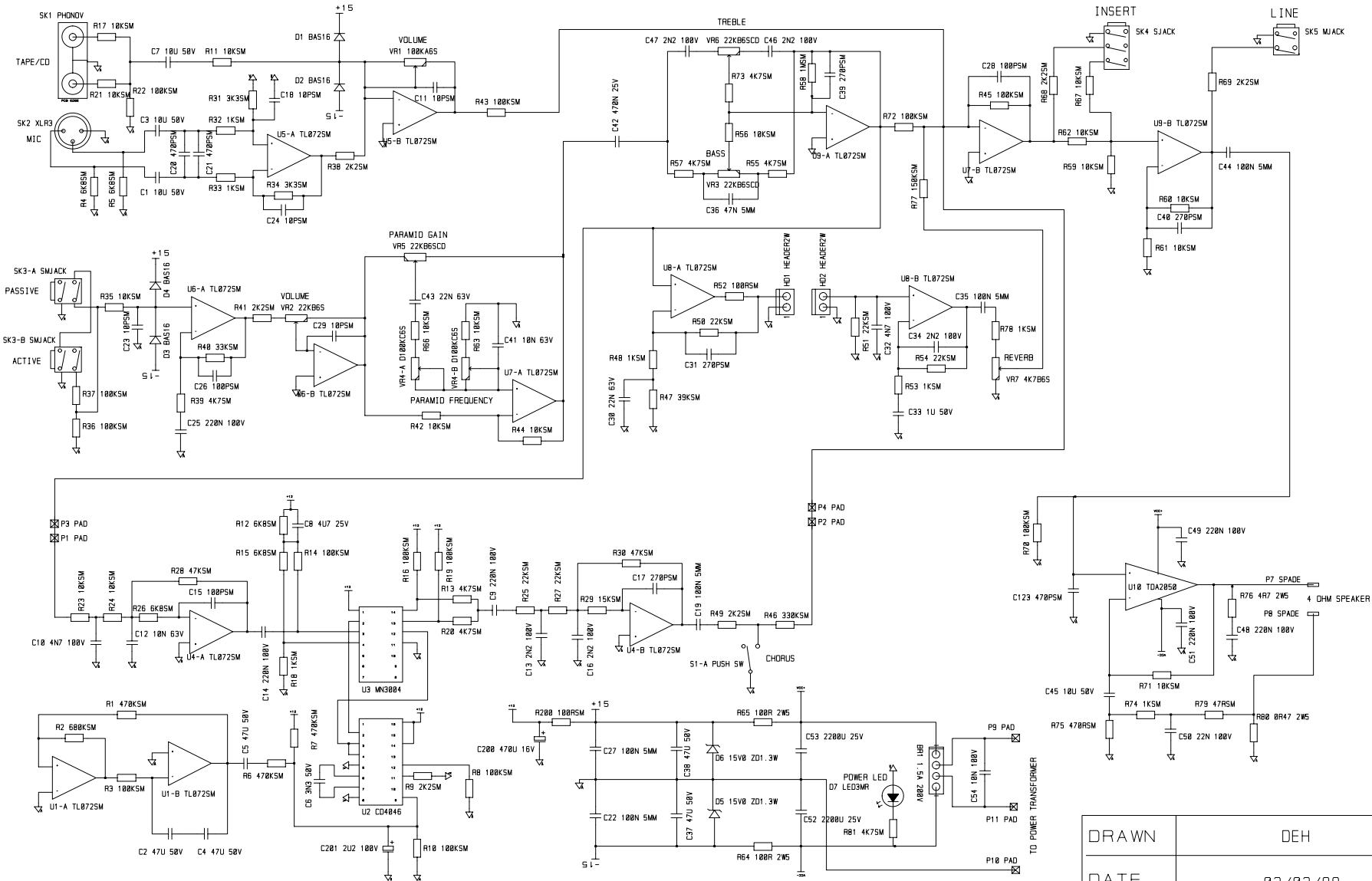
⚠️ INDICATES SAFETY CRITICAL COMPONENT.
MUST ONLY BE REPLACED WITH APPROVED TYPE.

ISSUE	DESCRIPTION	APPD.	DATE

BLT
Industries Ltd.

TITLE
LA30 & LA30C
SERVICE DIAGRAM
PART No

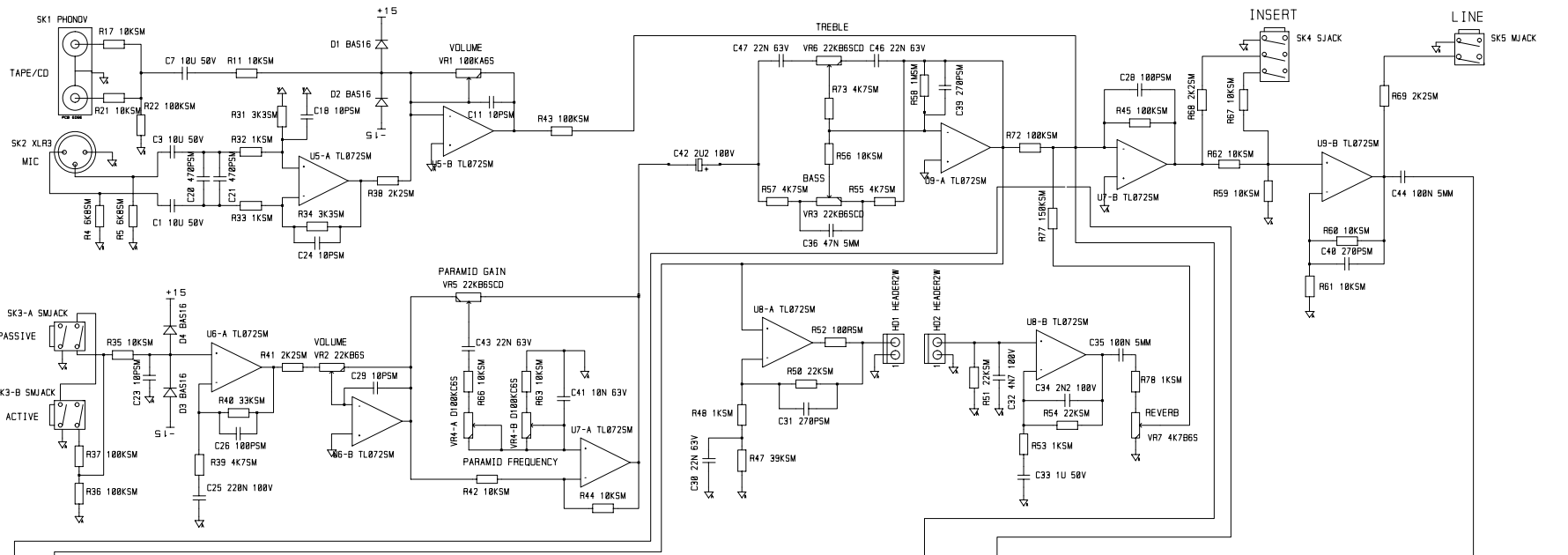
DRAWN	TRACED	CHECKED	APPROVED	DATE
S.L.				22/04/98
DRAWING No.		2811		



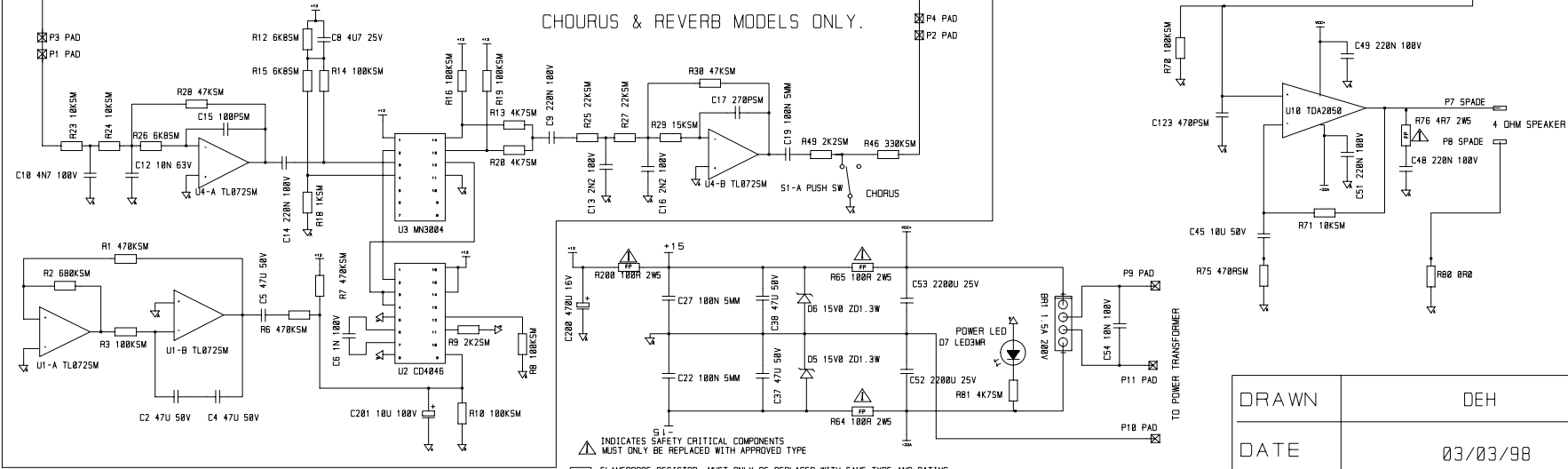
ISSUE

TYPE

DRAWN	DEH
DATE	02/03/98
TITLE	LA30C
DRW. NO.	9145_3



CHORUS & REVERB MODELS ONLY.

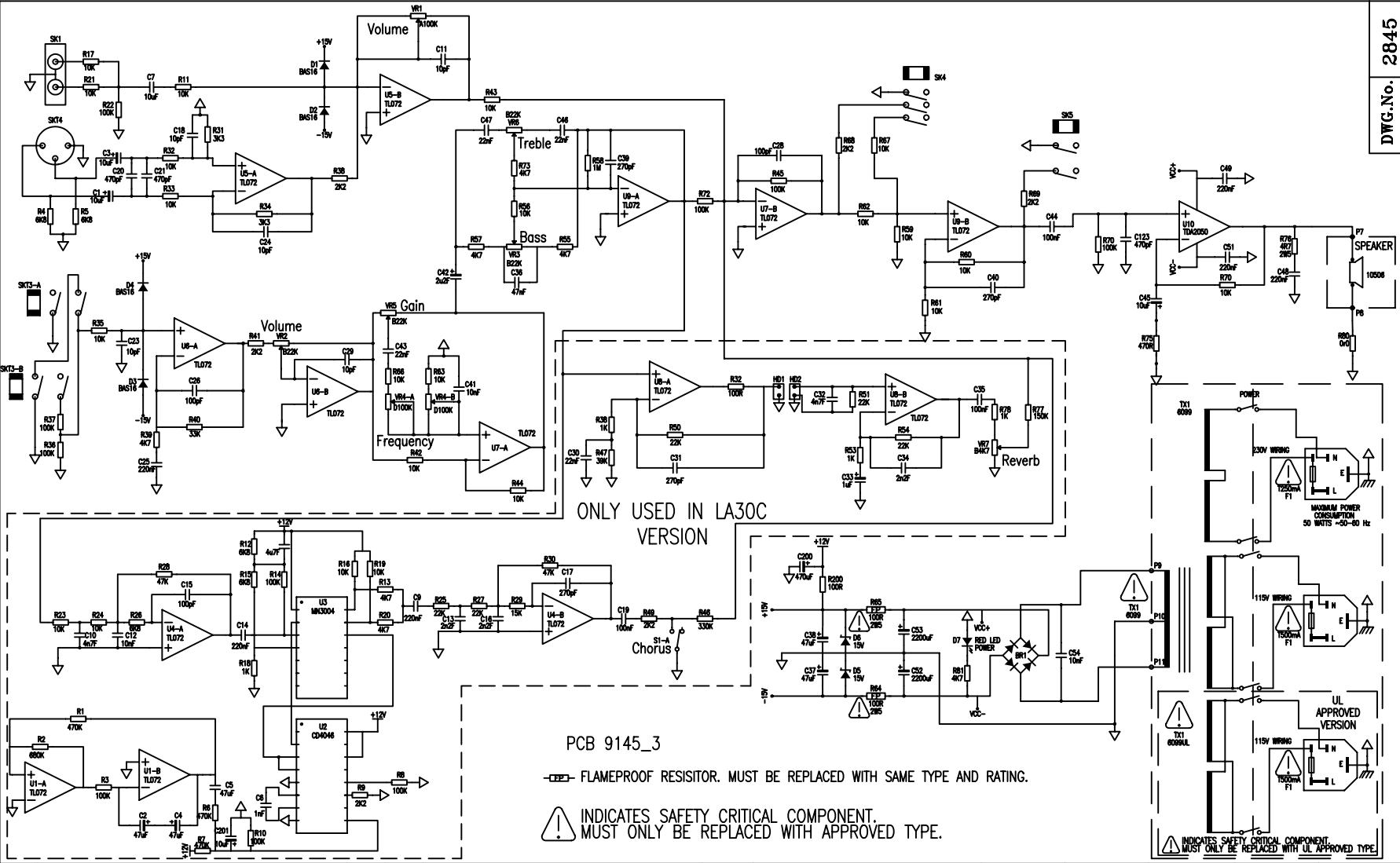


INDICATES SAFETY CRITICAL COMPONENTS MUST ONLY BE REPLACED WITH APPROVED TYPE

FLAMEPROOF RESISTOR. MUST ONLY BE REPLACED WITH SAME TYPE AND RATING

DRAWN	DEH
DATE	03/03/98
TITLE	30 Watt Acoustic Preamp
DRW. NO.	9145_3

ISSUE	Component Changes 1/07/98
TYPE	R88 0r47 2W5 to 0r0 R73, R74, C5B Deleted C6 1n5 changed to 1n C281 2u2 to 10u C42 0u47 to 2u2



ISSUE	DESCRIPTION	APPD. DATE

BLT
Industries Ltd.

TITLE
LA30 & LA30C SCHEMATIC PART No

DRAWN	TRACED	CHECKED	APPROVED	DATE
S.L.				4/8/98
DRAWING No.			2845	