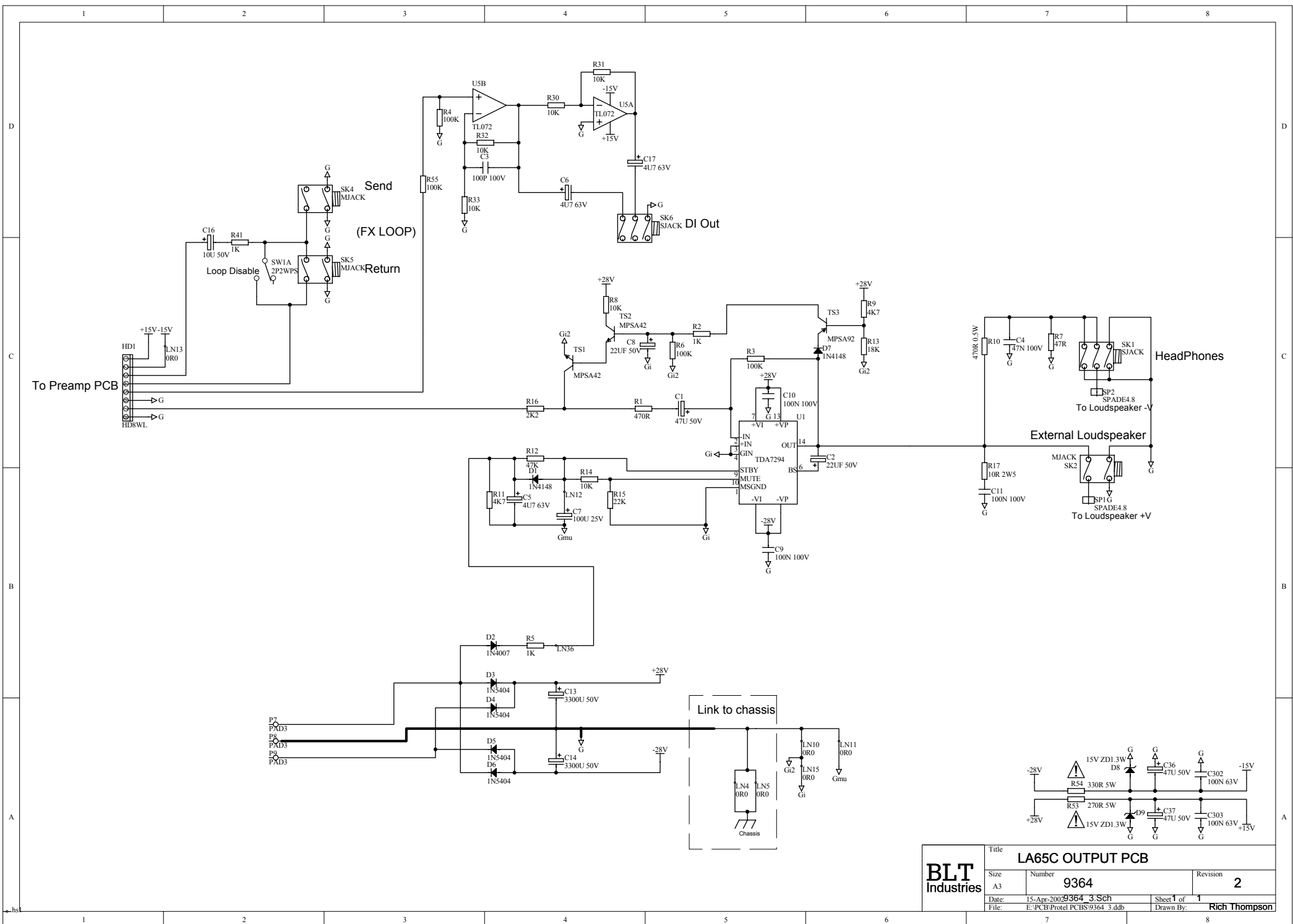


NOTE: All resistors to be 1/4W unless otherwise stated
 NOTE: All capacitors to be rated at 16V or higher

- Flame proof resistor
Must only be replaced with same type and rating
- Indicates safety critical component
Must only be replaced with approved type

Title		LA65C PREAMP	
Size	Number	Revision	
A3	9363		4
Date:	15-Apr-2002 9363 4.Sch	Sheet 1 of	1
File:	E:\PCB\Protel\PCBS9363 4.dtb	Drawn By:	Rich Thompson

BLT Industries



BLT Industries	Title LA65C OUTPUT PCB		
	Size A3	Number 9364	Revision 2
	Date 15-Apr-2002	3 Sch	Sheet 1 of 1
	File E:\PCB\Protel\PCBS\9364_3.ddb	Drawn By: Rich Thompson	