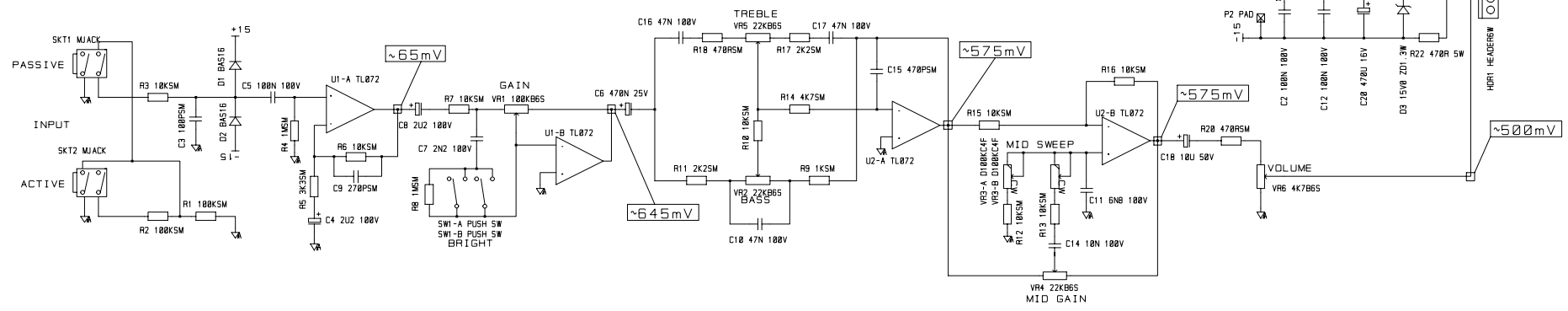


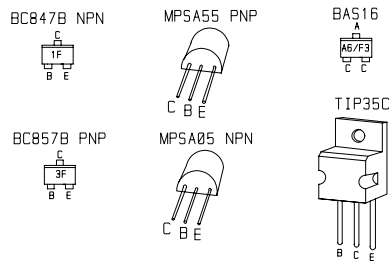
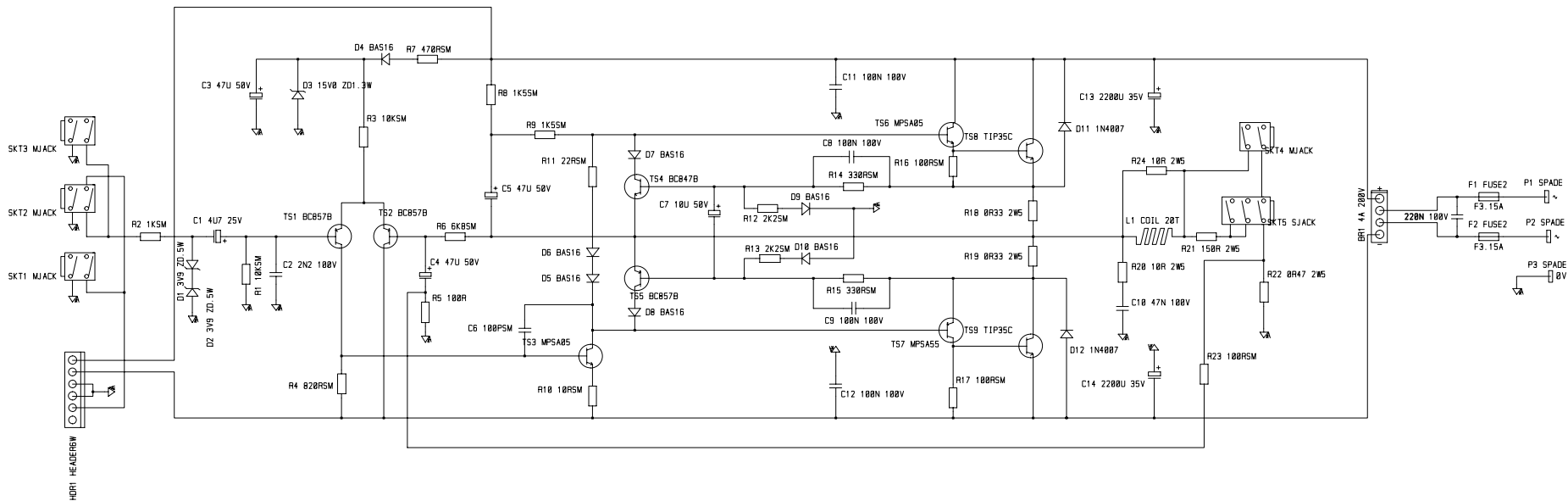
Input sensitivity PASSIVE = 17mV  
ACTIVE = 34mV



Input sensitivity = GAIN AND VOLUME TO MAXIMUM EQ SET TO FLAT

|          |              |
|----------|--------------|
| DRAWN    | DEH          |
| DATE     | 09/03/94     |
| TITLE    | LBC50 PREAMP |
| DRW. NO. | 9056_2       |

|       |  |  |  |  |  |  |  |
|-------|--|--|--|--|--|--|--|
| ISSUE |  |  |  |  |  |  |  |
| TYPE  |  |  |  |  |  |  |  |



NOTE:- BASS VERSION R5=220R R22=LINK C13/14=3300U

|       |  |   |  |  |  |          |                      |
|-------|--|---|--|--|--|----------|----------------------|
| ISSUE | Issue 2<br>14/03/2000  | 08/06/00.                                   |  |  |  | DRAWN    | DEH                  |
|       |  |   |  |  |  | DATE     | 15/3/99              |
|       |  |   |  |  |  | TITLE    | 50-65W OUTPUT MODULE |
| TYPE  | 220nF 100V Cap added across secondary fuses before the bridge on underside of PCB. | CHANGE NOTE 291:<br>R11 FROM 47RSM TO 22RSM |  |  |  | DRW. NO. | 9074_2               |