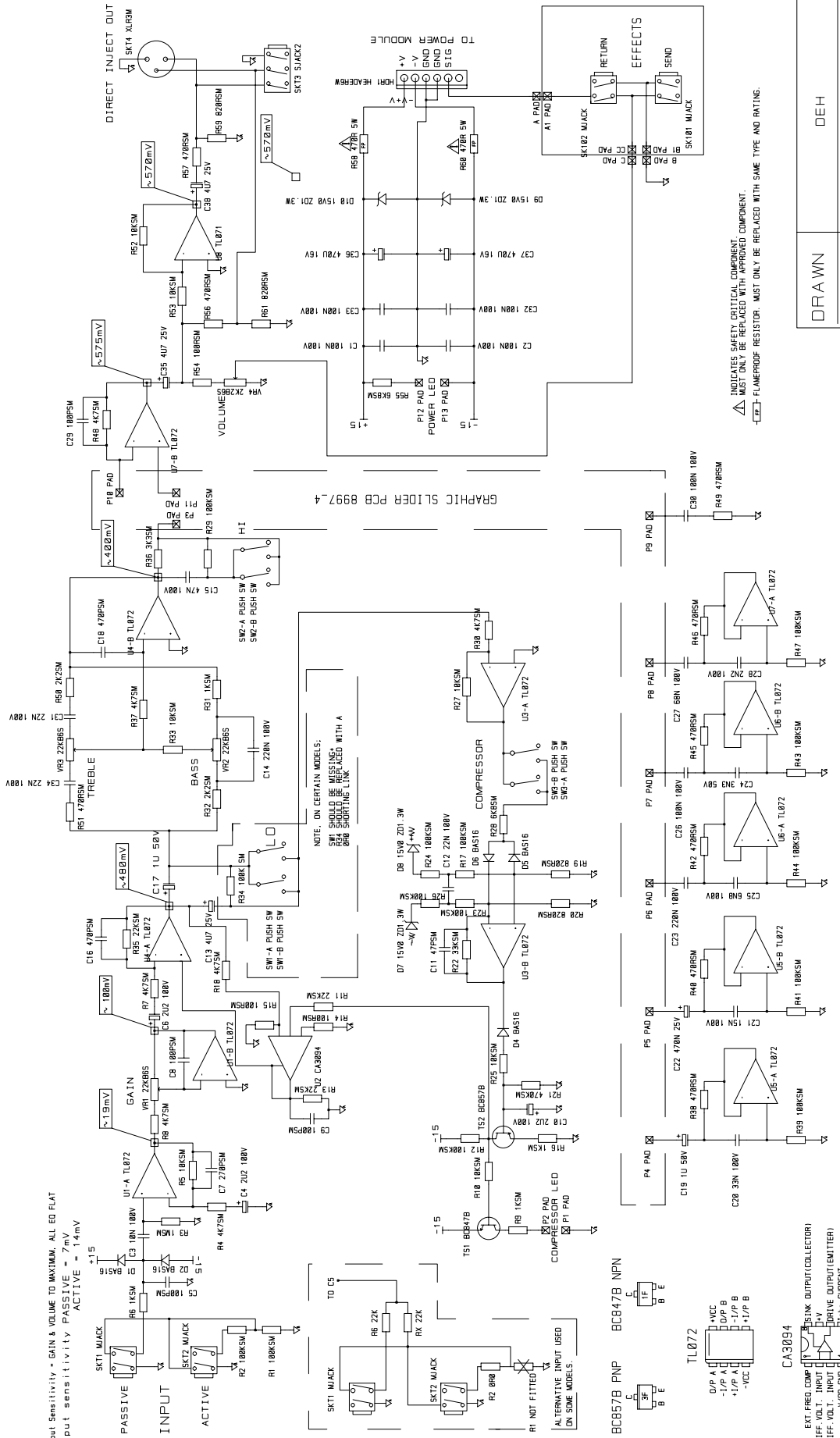


DRAWN	DEH
DATE	09/11/94
TITLE	GFX SLIDER BOARD
DRW. NO.	8997_4

ISSUE

TYPE

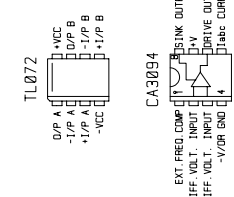
Input sensitivity * GAIN & VOLUME TO MAXIMUM, ALL EQ FLAT
 Input sensitivity PASSIVE = 7mV
 ACTIVE = 14mV



GRAPHIC SLIDER PCB 8997.4

NOTE: ON CERTAIN MODELS:
 R24 SHOULD BE MISSING
 R25 SHOULD BE MISSING
 R26 SHOULD BE MISSING
 R27 SHOULD BE MISSING
 R28 SHOULD BE MISSING
 R29 SHOULD BE MISSING
 R30 SHOULD BE MISSING
 R31 SHOULD BE MISSING
 R32 SHOULD BE MISSING
 R33 SHOULD BE MISSING
 R34 SHOULD BE MISSING
 R35 SHOULD BE MISSING
 R36 SHOULD BE MISSING
 R37 SHOULD BE MISSING
 R38 SHOULD BE MISSING
 R39 SHOULD BE MISSING
 R40 SHOULD BE MISSING
 R41 SHOULD BE MISSING
 R42 SHOULD BE MISSING
 R43 SHOULD BE MISSING
 R44 SHOULD BE MISSING
 R45 SHOULD BE MISSING
 R46 SHOULD BE MISSING
 R47 SHOULD BE MISSING
 R48 SHOULD BE MISSING
 R49 SHOULD BE MISSING
 R50 SHOULD BE MISSING
 R51 SHOULD BE MISSING
 R52 SHOULD BE MISSING
 R53 SHOULD BE MISSING
 R54 SHOULD BE MISSING
 R55 SHOULD BE MISSING
 R56 SHOULD BE MISSING
 R57 SHOULD BE MISSING
 R58 SHOULD BE MISSING
 R59 SHOULD BE MISSING
 R60 SHOULD BE MISSING
 R61 SHOULD BE MISSING
 R62 SHOULD BE MISSING
 R63 SHOULD BE MISSING
 R64 SHOULD BE MISSING
 R65 SHOULD BE MISSING
 R66 SHOULD BE MISSING
 R67 SHOULD BE MISSING
 R68 SHOULD BE MISSING
 R69 SHOULD BE MISSING
 R70 SHOULD BE MISSING
 R71 SHOULD BE MISSING
 R72 SHOULD BE MISSING
 R73 SHOULD BE MISSING
 R74 SHOULD BE MISSING
 R75 SHOULD BE MISSING
 R76 SHOULD BE MISSING
 R77 SHOULD BE MISSING
 R78 SHOULD BE MISSING
 R79 SHOULD BE MISSING
 R80 SHOULD BE MISSING
 R81 SHOULD BE MISSING
 R82 SHOULD BE MISSING
 R83 SHOULD BE MISSING
 R84 SHOULD BE MISSING
 R85 SHOULD BE MISSING
 R86 SHOULD BE MISSING
 R87 SHOULD BE MISSING
 R88 SHOULD BE MISSING
 R89 SHOULD BE MISSING
 R90 SHOULD BE MISSING
 R91 SHOULD BE MISSING
 R92 SHOULD BE MISSING
 R93 SHOULD BE MISSING
 R94 SHOULD BE MISSING
 R95 SHOULD BE MISSING
 R96 SHOULD BE MISSING
 R97 SHOULD BE MISSING
 R98 SHOULD BE MISSING
 R99 SHOULD BE MISSING
 R100 SHOULD BE MISSING

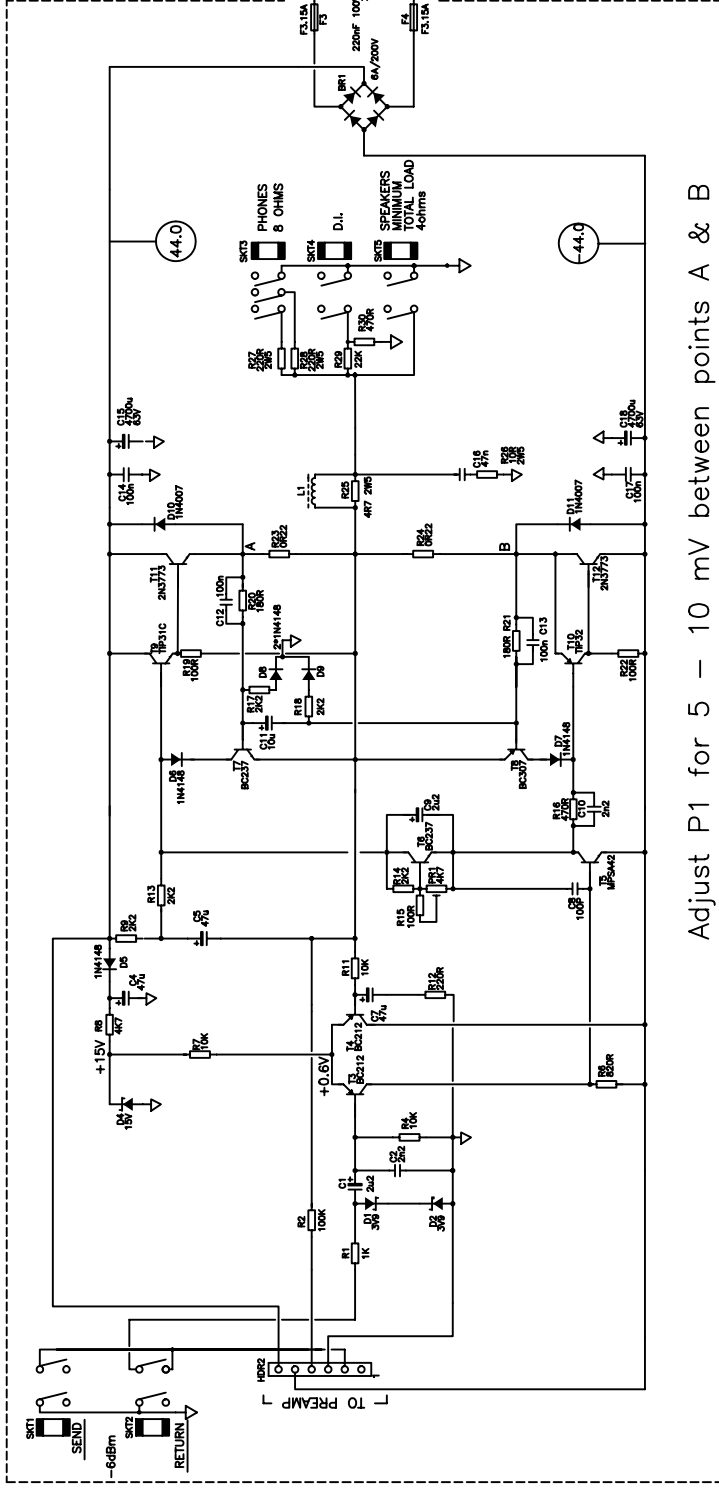
INDICATES SAFETY CRITICAL COMPONENT.
 MUST ONLY BE REPLACED WITH APPROVED COMPONENT.
 FLAMEPROOF RESISTOR. MUST ONLY BE REPLACED WITH SAME TYPE AND RATINGS.



DRAWN	DEH
DATE	12/3/99
TITLE	GRAPHIC BASS PREAMP
DRW. NO.	9057_3

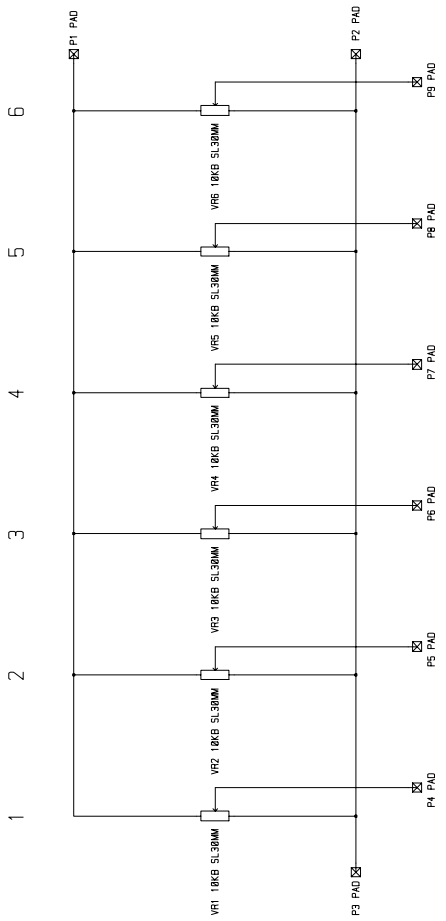
ISSUE	ISSUE 3 24/02/98
TYPE	FX SOCKETS ADDED

USED IN : - BC- 120



Adjust P1 for 5 - 10 mV between points A & B

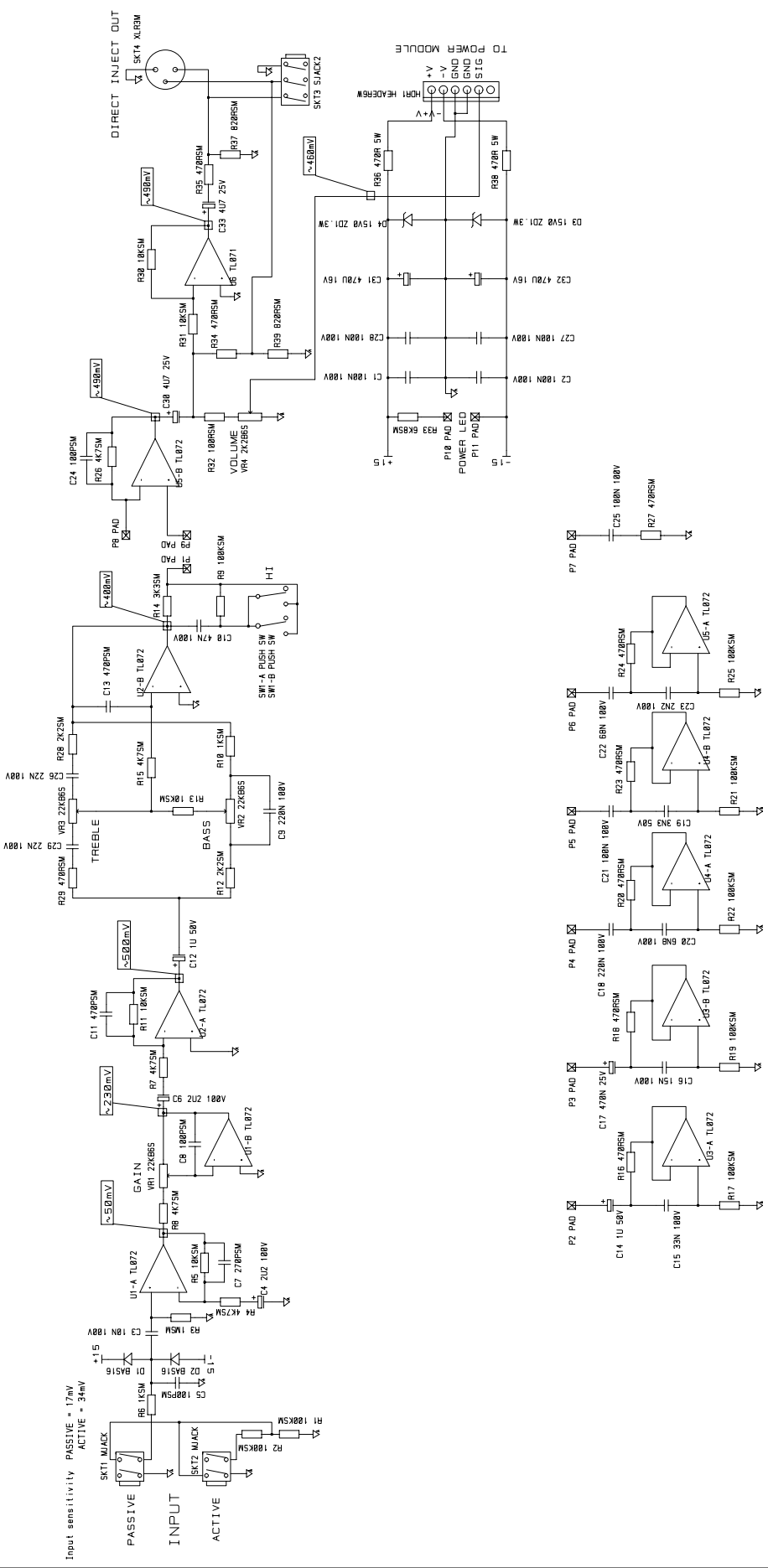
ISSUE	DESCRIPTION	APPD. DATE	TITLE	DRAWN	TRACED	CHECKED	APPROVED	DATE
	220W Added across TX secondary This should be addressed directed to the underside of the pcb	11/02/88	120 WATT OUTPUT BOARD No. 8991 PART No	S.L.				30/08/94
			DRAWING No. 2317					



DRAWN	DEH
DATE	09/11/94
TITLE	GFX SLIDER BOARD
DRW. NO.	8997_4

ISSUE

TYPE



Input sensitivity = GAIN & VOLUME TO MAXIMUM, ALL EQ SET FLAT

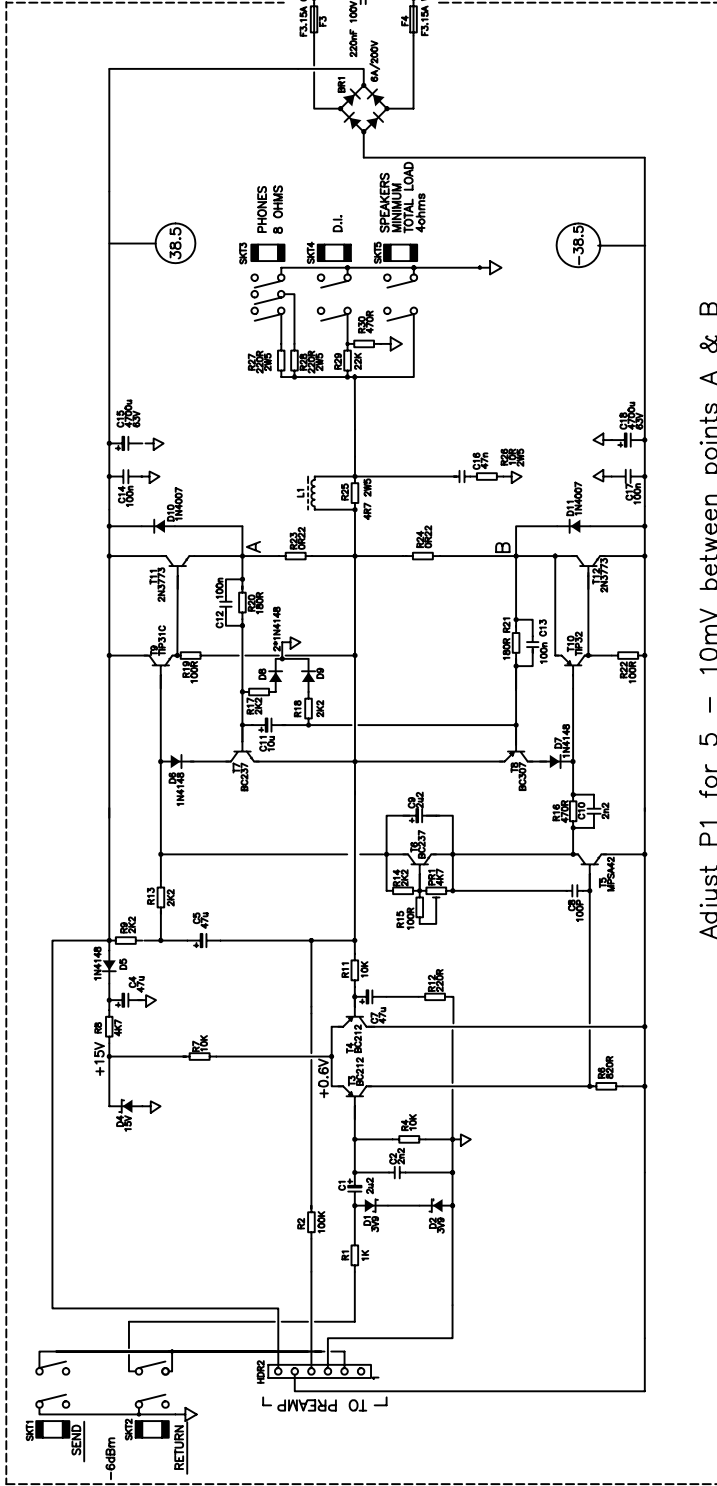
DRAWN	DEH
DATE	16/03/94
TITLE	LBC75 PREAMP
DRW. NO.	9063

ISSUE 10/06/94 CHANGE R11 TO 10KSM FROM 22KSM

TYPE

USED IN :- BC-75

DWG. No. 2318

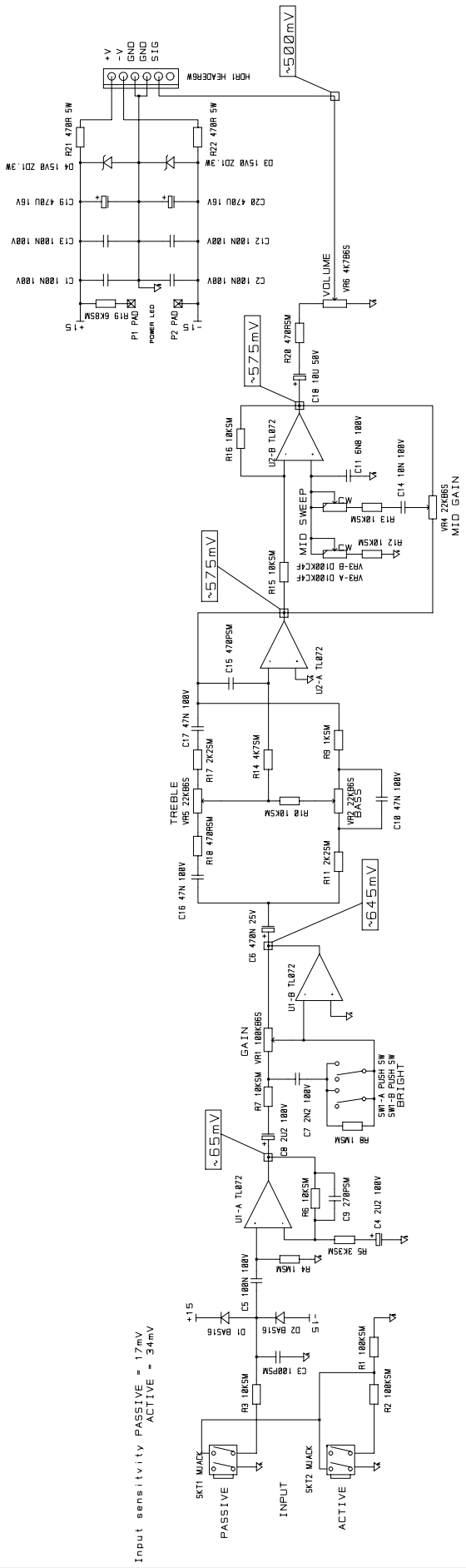


Adjust P1 for 5 - 10mV between points A & B

DRAWN	TRACED	CHECKED	APPROVED	DATE
S.L.				30/08/94
DRAWING No.				2318

TITLE	
80 WATT OUTPUT BOARD No. 8991	
PART No	

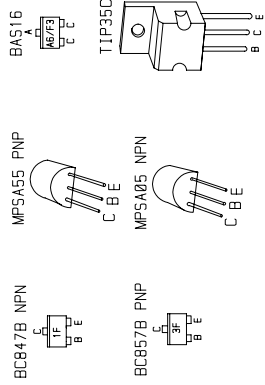
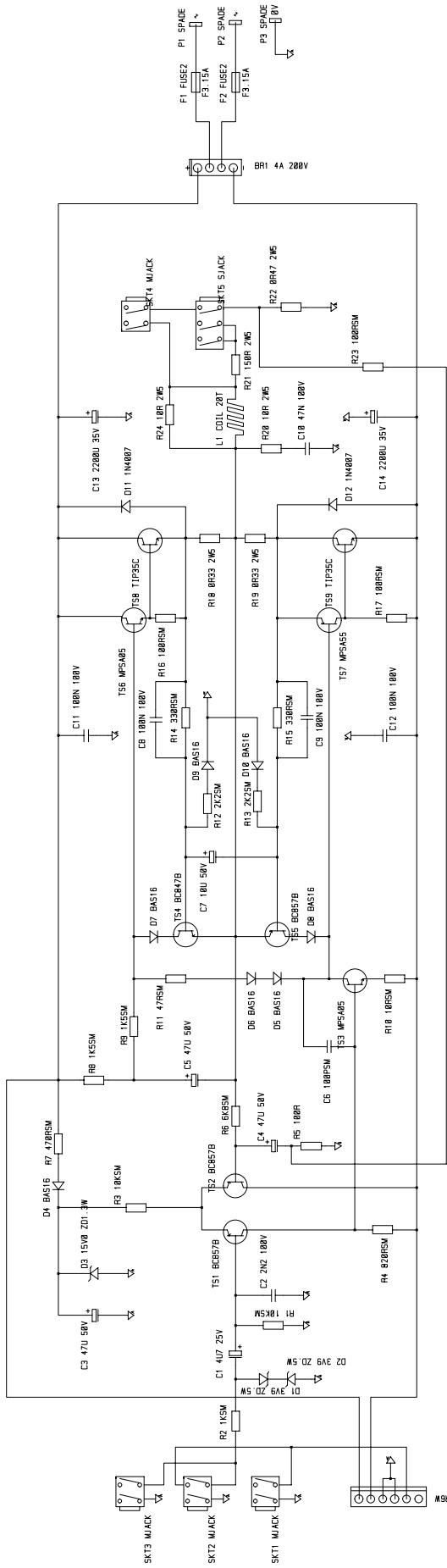
ISSUE	DESCRIPTION	APPD. DATE
	200w Audio ampere TV Secondary Soldered to the back of the pcb	
LANEY		



Input sensitivity PASSIVE = 17mV
ACTIVE = 34mV

Input sensitivity = GAIN AND VOLUME TO MAXIMUM EQ SET TO FLAT

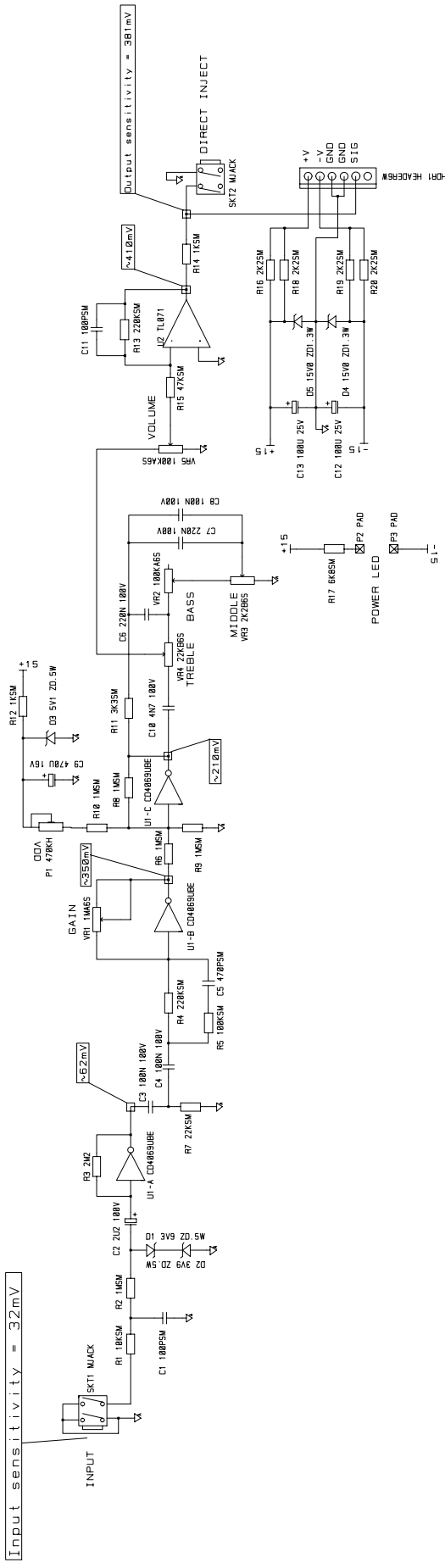
DRAWN	DEH	LBC50 PREAMP
DATE	09/03/94	
ISSUE		9056_2
TYPE		



DRAWN	DEH
DATE	15/3/99
TITLE	50-65W OUTPUT MODULE
DRW. NO.	9074_2

NOTE: - BASIS VERSION R5-220R R22-LINK C13/14+3300U

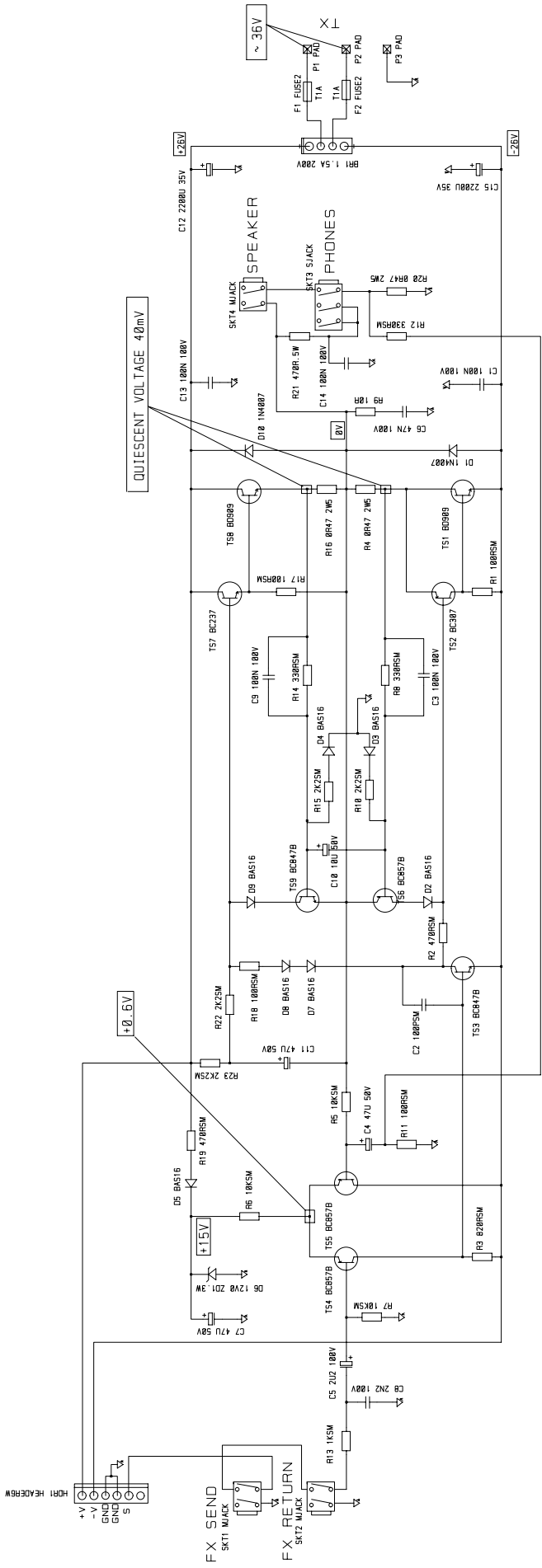
ISSUE	
TYPE	



Input sensitivity = 32mV, Output sensitivity = 381mV, ~410mV, ~210mV, ~52mV, ~350mV, ~52mV, ~210mV, ~410mV, ~381mV

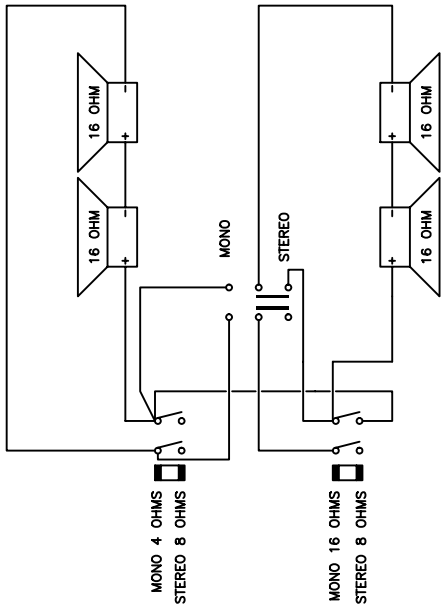
Input sensitivity = GAIN, BASS, MID, TREBLE & VOLUME TURNED UP FULL

DRAWN	DEH
DATE	14/03/94
TITLE	LBC30 PREAMP
ISSUE	
TYPE	
DRW. NO.	9055_2



DRAWN	DEH
DATE	14/03/94
TITLE	LGC/LBC30 OUTPUT
DRW. NO.	9059_2

ISSUE	R14, T5, 100R TO 330R 22/04/94 DEH
TYPE	



ISSUE	DESCRIPTION	APPD.	DATE	DRAWN	TRACED	CHECKED	APPROVED	DATE
				D.E.H.				14/07/92
				DRAWING No.				2063

TITLE
Stereo 4 * 12
Switching Circuit
PART No

LANEY