

Laney

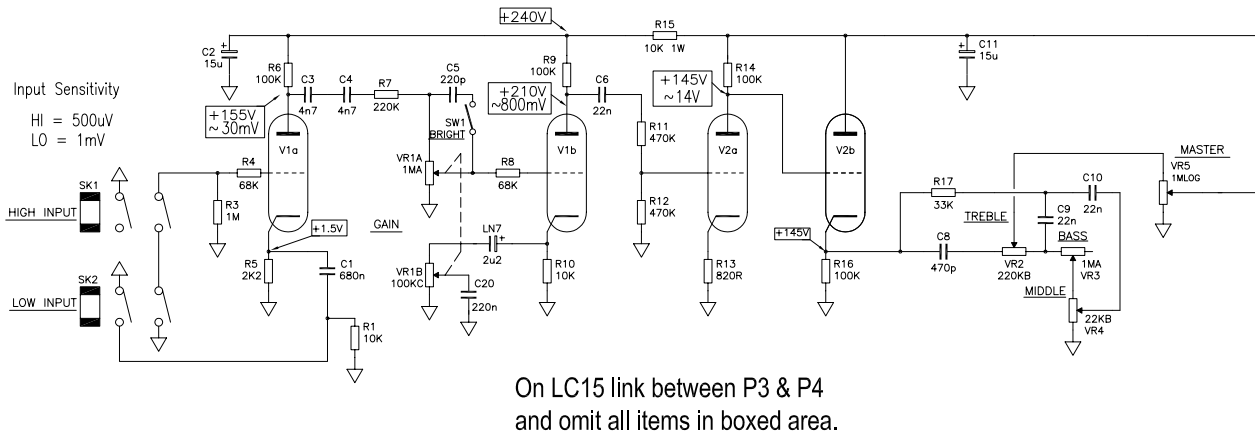
Service Diagrams

**MODEL : LC15
: LC15R**



www.laney.co.uk

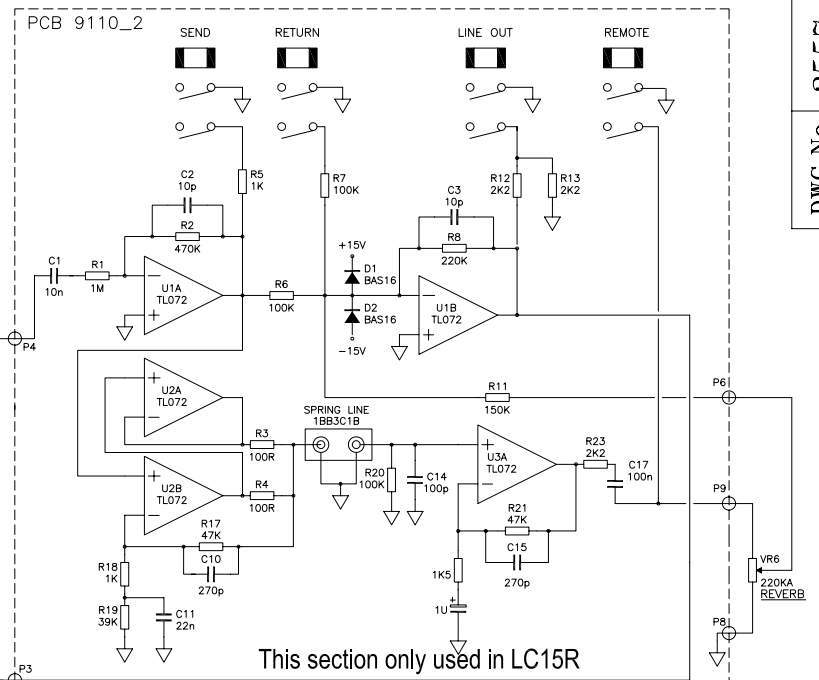
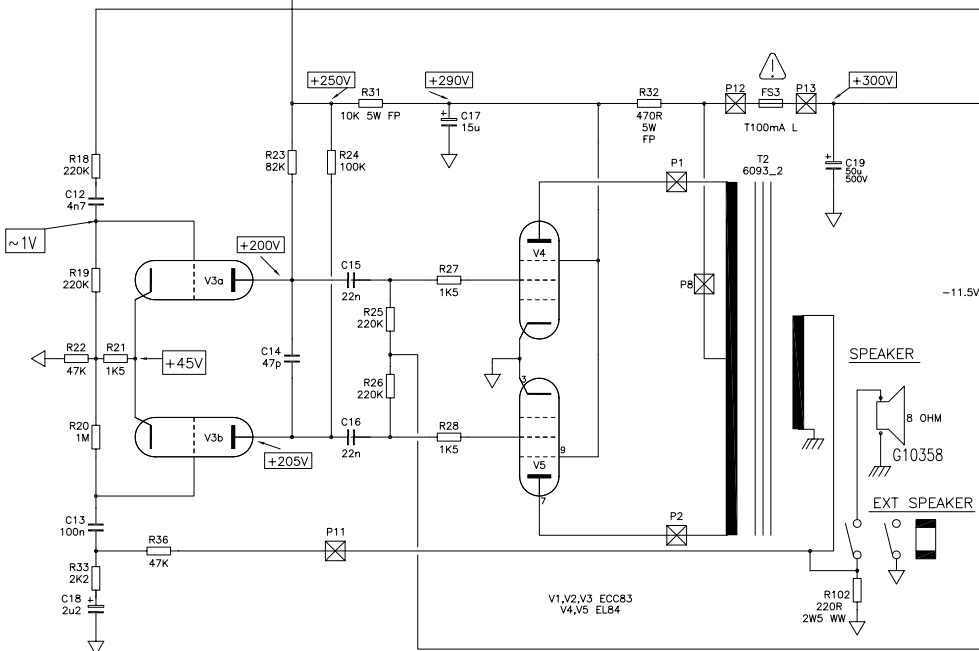
Input sensitivity = Gain & Eq up full, Master set to No.5



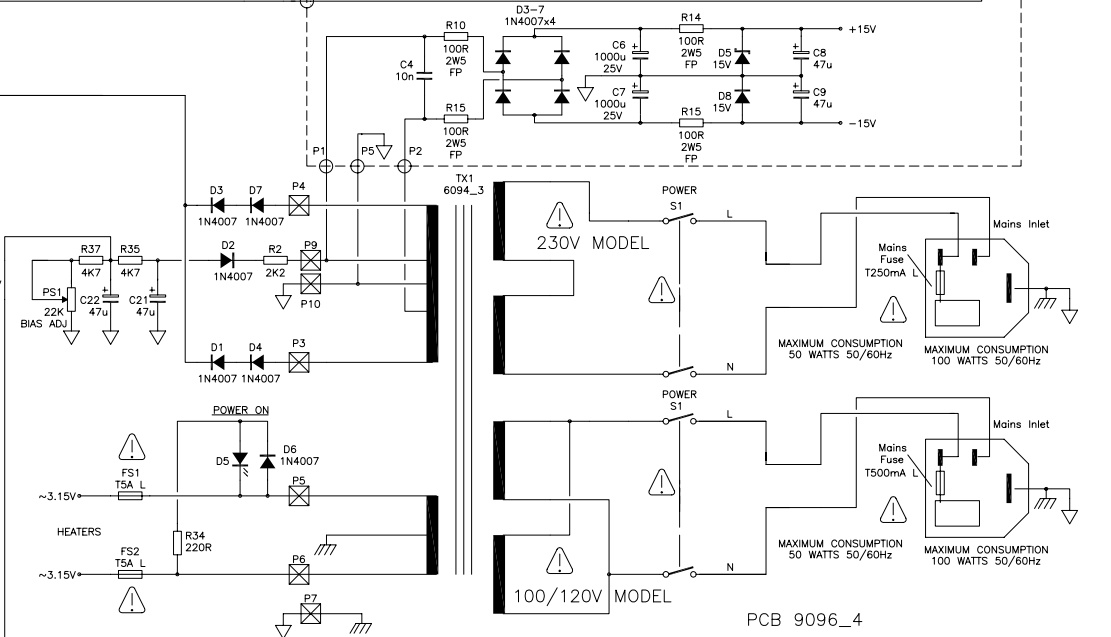
On LC15 link between P3 & P4 and omit all items in boxed area.

⚠ Safety critical component only replace with same type and rating

FP = Indicates Flameproof resistor, only replace with same type and rating



This section only used in LC15R



ISSUE	DESCRIPTION	APPD.	DATE
	Updated to meet current approvals	R.J.F	11/7/05
	Gain pot from A1M/A100K to A1M/C100K dual	R.J.F	4/12/03
	LN7 changed from 0r0 to 2u2	R.J.F	25/9/00

LANEY

TITLE
LC15 / LC15R CIRCUIT PART No

DRAWN	TRACED	CHECKED	APPROVED	DATE
D.E.H.				19/02/97
DRAWING No.		2557		

DWG.No. 2557

LC15 SPARE PARTS LIST

Laney

Model No. LC15

SPARES ITEM		DESCRIPTION	PART No.	
Mains Transformer	100V	6150 LC15/R Mains Transformer	006150	
	115V	6094 LC15/R Mains Transformer	006094	
	230V	6094 LC15/R Mains Transformer	006094	
Output Transformer		LC15/R Output Transformer 15W	006093	
Switch	Power	5A DPDT Rocker Switch	530027	
Mains Fuse	110-120V	T500mA 20mm Spiral Wound	005566	
	230V	T250mA 20mm Spiral Wound	005528	
Corner	Front	Stainless Steel	10049	
	Back	Stainless Steel	10048	
Jack Socket		1/4 Jack Socket - Mono - Gold	005096	
		1/4 Jack Socket PCB Mount	005002	
		1/4 Jack Socket Tagged	10004	
PCB's	9096	LC15/R Pre Amp PCB Complete	60015	
	Pots	VR1	Split 1M/100K Antilog Dual 6mm Spline (100KC on front / A1M on back)	004116
		VR2	220K Lin Pot 6mm Spline	004065
		VR3/5	1M Log Pot 6mm Spline	004070
		VR4	22K Lin Pot 6mm Spline	004061
		VR6	220K Log Pot 6mm Spline	004078
	Switch	Bright	2P2W Push Switch	005017
Loudspeaker		Celestion Tube 10 8 Ohm	51001	
Badge		Small Laney Badge	10057	
Fascia Panel		LC15 Fascia Panel	8M-8528	
Control Knob		20mm Chicken Head	005631	
Handle		Black Strap Handle	10100	
Mains Inlet Socket		IEC Main Inlet Socket Fused	005005	
HT Fuse Carrier		HT Fuse Carrier	005502	
HT Fuse		T100mA 20mm Spiral Wound	005586	
Tubes	1	ECC83 STD	005548	
	2	EL84 Matched Set	005562	
Tube Base		Ceramic Base Socket B9A	005577	
Mains Lead		Country Dependant		
Feet		Plastic Feet	10055	
Cabinet Minus Loudspeaker		Carcass plus fittings LC15/R	80009	
Manual		LC15/R User Manual	007092	

LC15R SPARE PARTS LIST

Laney

Model No. LC15R				
SPARES ITEM		DESCRIPTION		PART No.
Mains Transformer	100V	6150 LC15/R Mains Transformer		006150
	115V	6094 LC15/R Mains Transformer		006094
	230V	6094 LC15/R Mains Transformer		006094
Output Transformer		LC15/R Output Transformer 15W		006093
Reverb Unit		Small 2 Spring Reverb Unit		10008
Switch	Power	5A DPDT Rocker Switch		530027
Mains Fuse	110-120V	T500mA 20mm Spiral Wound		005566
	230V	T250mA 20mm Spiral Wound		005528
Corner	Front	Stainless Steel		10049
	Back	Stainless Steel		10048
Jack Socket		1/4 Jack Socket - Mono - Gold		005096
		1/4 Jack Socket PCB Mount		005002
		1/4 Jack Socket Tagged		10004
PCB's	9096	LC15/R Pre Amp PCB Complete		60015
	Pots	VR1	Split 1M/100K Antilog Dual 6mm Spline (100KC on front / A1M on back)	004116
		VR2	220K Lin Pot 6mm Spline	004065
		VR3/5	1M Log Pot 6mm Spline	004070
		VR4	22K Lin Pot 6mm Spline	004061
		VR6	220K Log Pot 6mm Spline	004078
	Switch	Bright	2P2W Push Switch	005017
9110	LC15R Reverb Module Complete		60017	
Loudspeaker		Celestion Tube 10 8 Ohm		51001
Badge		Small Laney Badge		10057
Fascia Panel		LC15/R Fascia Panel		8M-8659
Control Knob		20mm Chicken Head		005631
Handle		Black Strap Handle		10100
Mains Inlet Socket		IEC Main Inlet Socket Fused		005005
HT Fuse Carrier		HT Fuse Carrier		005502
HT Fuse		T100mA 20mm Spiral Wound		005586
Tubes	1	ECC83 STD		005548
	2	EL84 Matched Set		005562
Tube Base		Ceramic Base Socket B9A		005577
Mains Lead		Country Dependant		
Foot Switch		FS1		FS1E
Feet		Plastic Feet		10055
Cabinet Minus Loudspeaker		Carcass plus fittings LC15/R		80009
Manual		LC15/R User Manual		007092