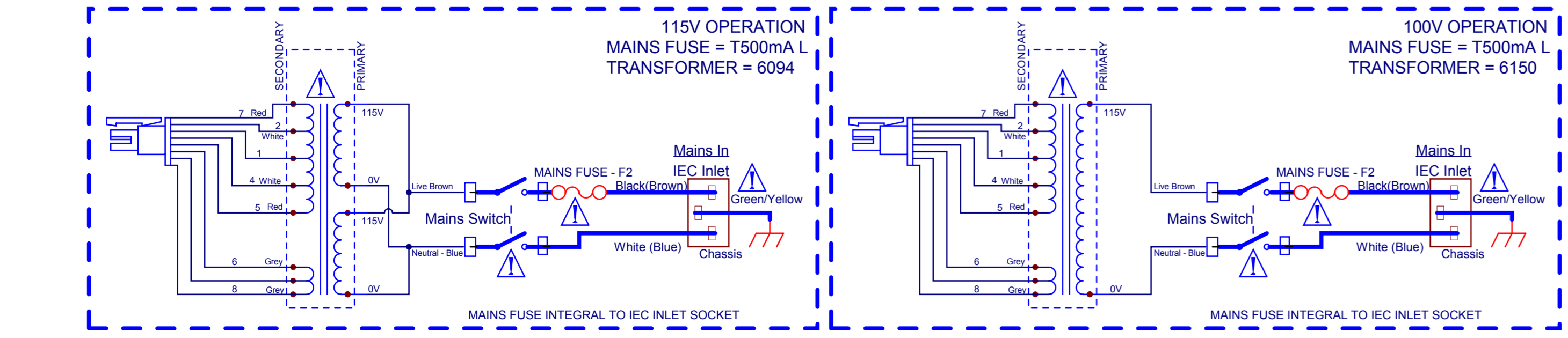
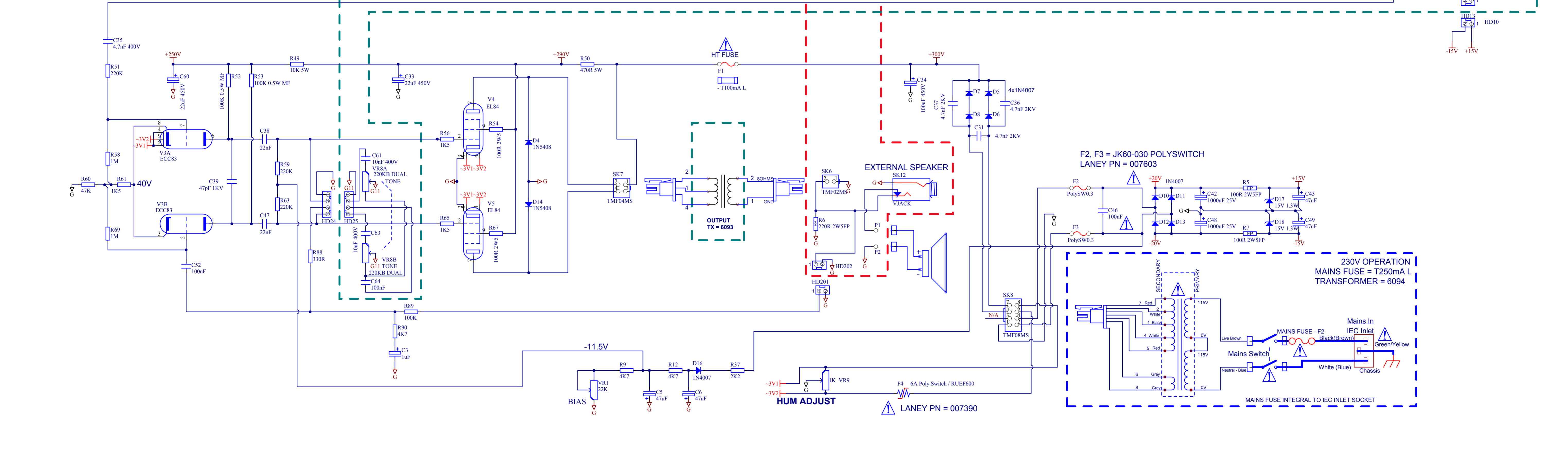
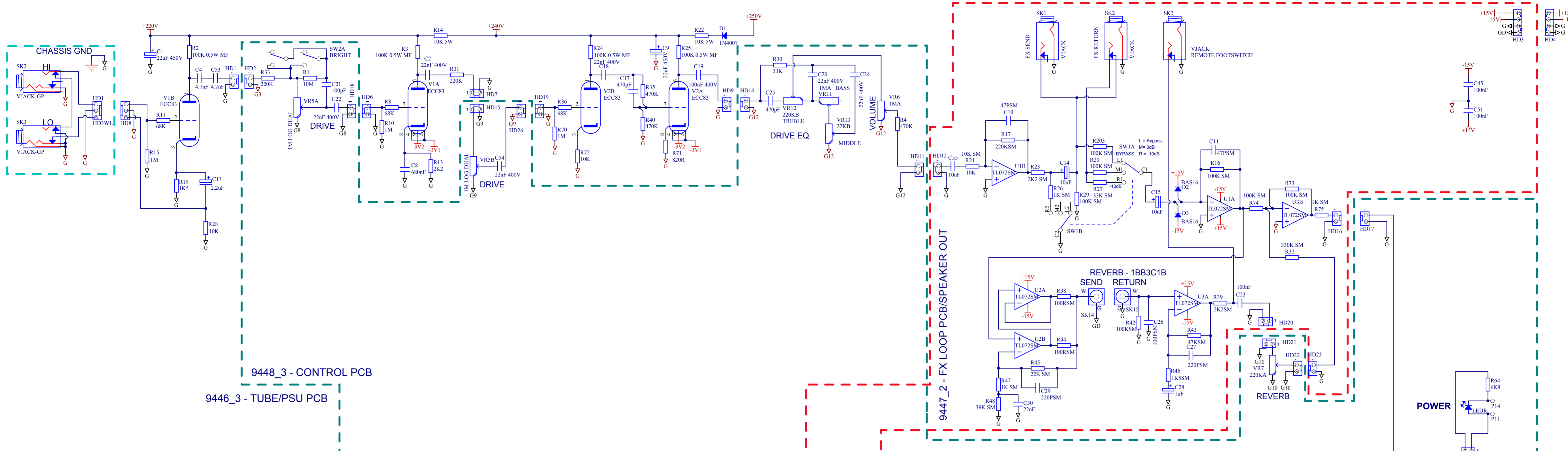


LC15-110
Service Information
2008 ONWARDS

Laney
POWER TO THE MUSIC
www.laney.co.uk



NOTE:
SET BIAS TO GIVE -11.5V AT JUNCTION OF R59/R63

- Indicates safety critical component. Must only be replaced with approved type.
- Flame Proof Resistor. Must only be replaced with same type and rating.

- SP3 CHS-5
- SP4 CHS-5
- SP5 CHS-5
- SP6 CHS-SUPPORT
- PCBMB1

17/12/08
F2, F3 changed from 0.9A to 0.3A PTC

LC15-110 SPARE PARTS LIST



Model No. LC15-110 (2008)					
SPARES ITEM	DESCRIPTION			PART No.	
Transformers	100V	100V Mains Transformer		006150	
	120V	115-230V Mains Transformer		006094	
	230V	115-230V Mains Transformer		006094	
	O/P	Output TX		006093	
Switch	Power	5A DPST Rocker Switch		530027	
	Bright	Switch	2P2W Push Switch	005017	
		Cap	Black Cap button		005503
Mains Inlet Skt & Fuses	110-120V	T500mA Spiral wound 20mm		005566	
	220-240V	T250mA Spiral wound 20mm		005528	
	In Skt	MS3 Mains Inlet IEC Fused		005005	
	HT	T100mA Fuse		005586	
PCB's	9448	Fascia Control PCB Complete		007538	
		VR5	Drive 1M Log Pot Dual 6mm Spline	004076	
		VR11	Bass 1M Log Pot 6mm Spline	004070	
		VR13	Mid 22K Lin Pot 6mm Spline	004061	
		VR12	Treble 220K Lin Pot 6mm Spline	004065	
		VR6	Volume 1M Log Pot 6mm Spline	004070	
		VR8	Tone 220K Lin Dual Pot 6mm Spline	007535	
		VR7	Reverb 220K Log Pot 6mm Spline	004078	
			Bracket	005127	
		9446	Tube PCB Complete		007539
			0.9A Poly Switch		005103
			0.9A Poly Switch		005103
			22uF 450V Capacitor		007204
			10K 5W Resistor		001714
			470R 5W Resistor		001700
			20mm Horizontal Fuse Carrier PCB Mount		007532
			T100mA Fuse		005586
		9447	FX Loop/Speaker out PCB Complete		007540
			2P3W Vertical Slide Switch		007529
			6.3 Vert Phone Jack Mono - Insulated Body		007527
			6.3 Vert Phone Jack Stereo Gold Plated - Insulated Body		007528
		9445	Dual I/P Jack PCB Complete		007511
			6.3 Vert Phone Jack Stereo Gold Plated - Non Insulated Body		007591
	Tubes	V4 V5	EL84B-STR Matched Valves		005563
		V1	ECC83 Hi-Grade		005570
		V2 V3	ECC83 STD		005548
	Cabinet	Badge		Diecast Laney Badge 116mm	007474
Fascia Panel		LC15-110 Fascia Stainless Steel	007541		
Control Knob		28mm Chicken Head	007533		
Handle		Strap Handle - Stainless Steel Clips	010101		
Loudspeaker		LC15-110 10" 8 Ohm Celestion Driver		51208	
		Speaker Jack Lead		010112	
Reverb		Tops 2 spring TPSB2BB3C1B		007542	
		Phono Phono Lead		010007	
Feet		38x15mm Rubber Foot with Steel Insert	007473		
Corner		15° RH	Stainless Steel		007505
		15° LH	Stainless Steel		007506
		Other	Non-Hooked Stainless Steel		10048
Foot Switch		Foot Switch	FS1		
Mains Lead		Country Dependant			
Cabinet Carcass		Covered Cab & Baffle (NO Fittings)	007543		
Manual		User Manual	007544		
Grille		Rear Grille	007545		
Carton		Carton	007546		