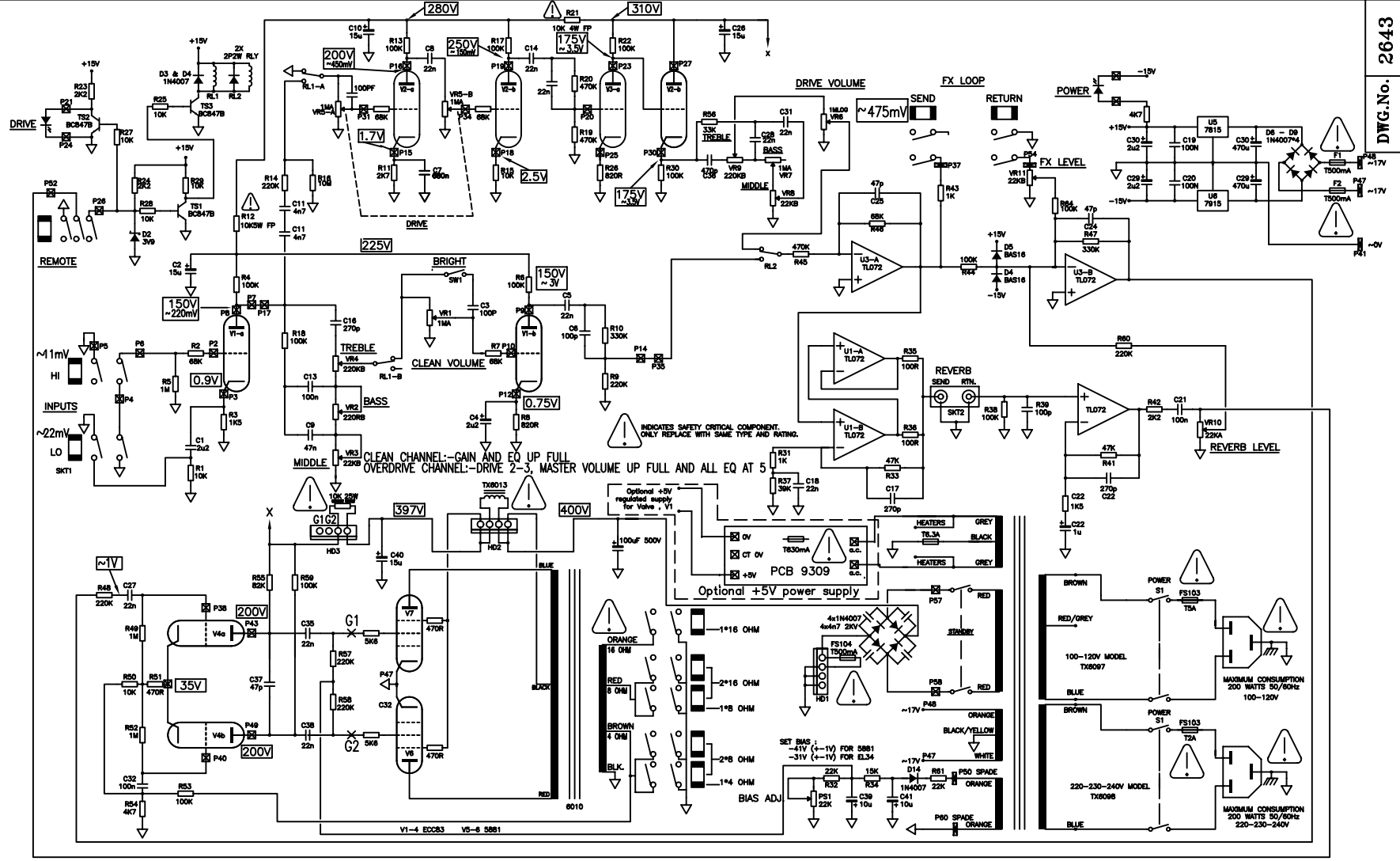


# Laney

**Service Diagrams**

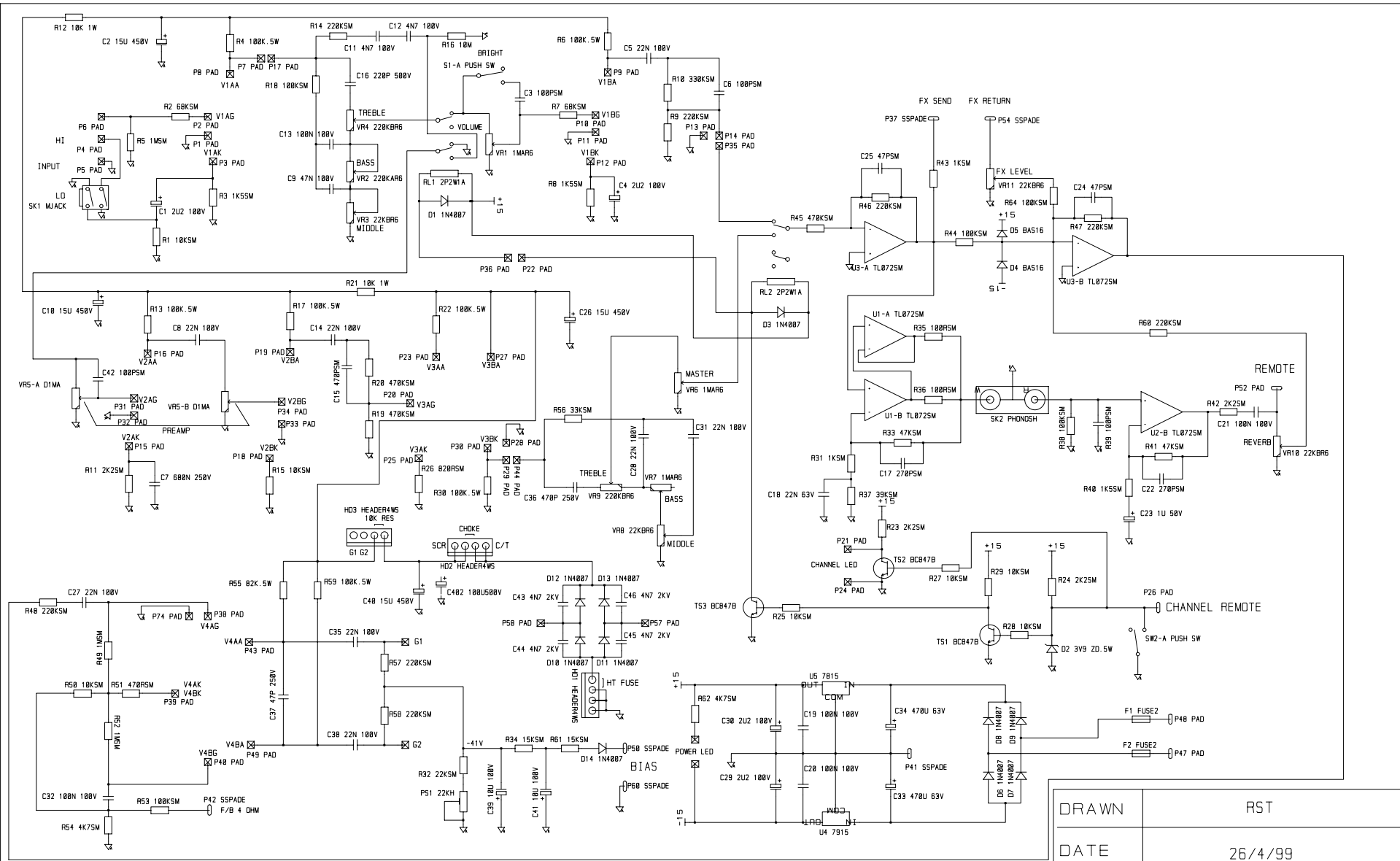




ISSUE	DESCRIPTION	APPD. DATE
3	PHYSICAL CHANGES TO TIDY BOARD/MAKE BUILD EASIER	RST 28/4/98

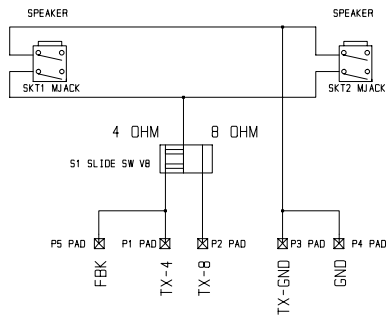
**BLT**  
Industries Ltd.

TITLE	DRAWN	TRACED	CHECKED	APPROVED	DATE
LH50 SERIES 2 CIRCUIT DIAGRAM PART No	R.S.T				28/4/99
	DRAWING No.		2643		



DRAWN	RST
DATE	26/4/99
TITLE	LC50/LH50 SII MAIN BOARD
DRW. NO.	9098_3

ISSUE	ISSUE 2	ISSUE 3		
TYPE	C42-C46 ADDED R62 ADDED MINOR LAYOUT CHANGES 26/3/99, CHANGE NOTE 241	MINOR LAYOUT CHANGES 26/4/99 CHANGE NOTE 246		



DRAWN	DEH
DATE	14/03/95
TITLE	VC50 SPEAKER JACK PCB
DRW. NO.	9088

ISSUE							
TYPE							