

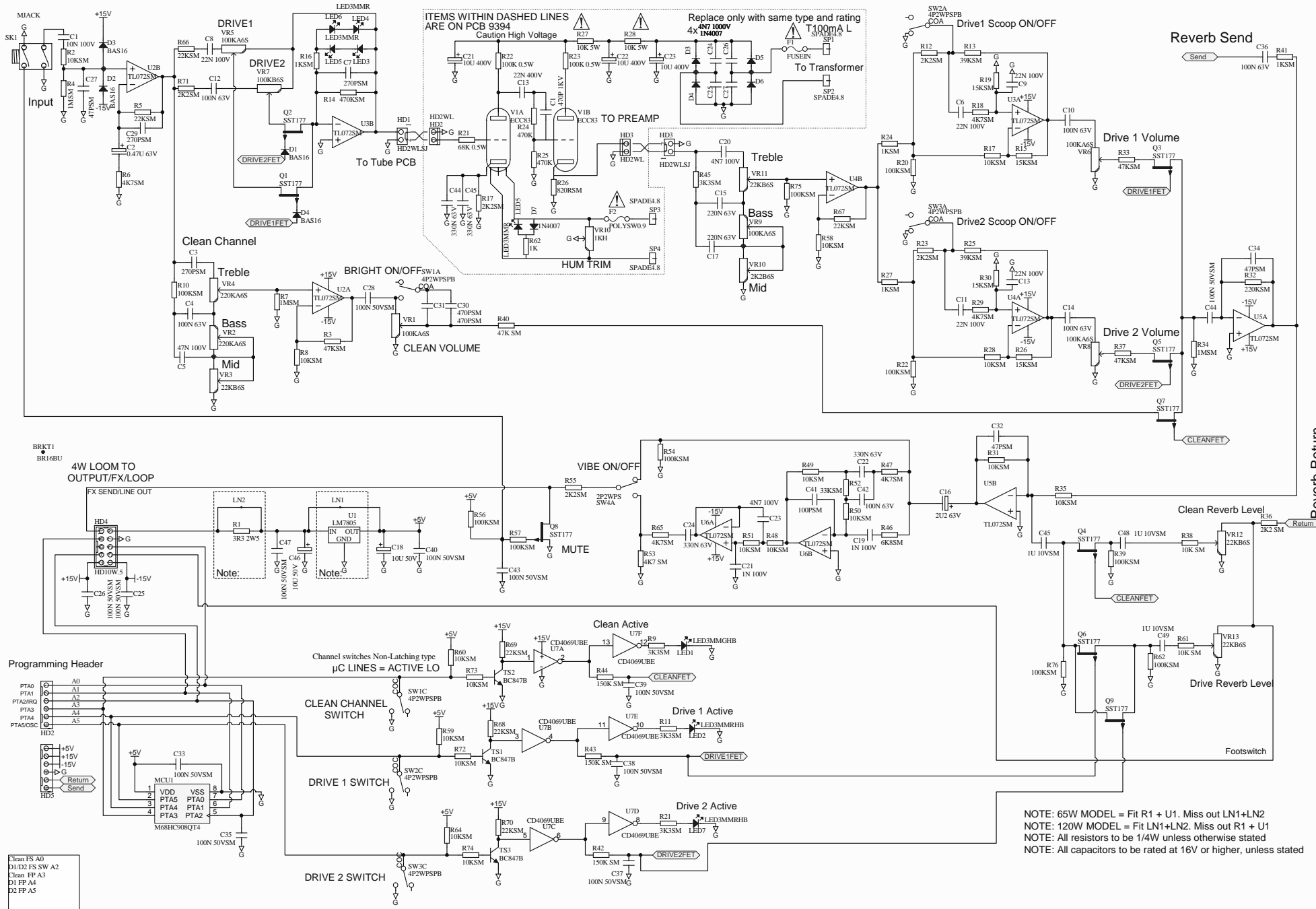
LV300/H/Twin

Service Information

Laney

POWER TO THE MUSIC

www.laney.co.uk



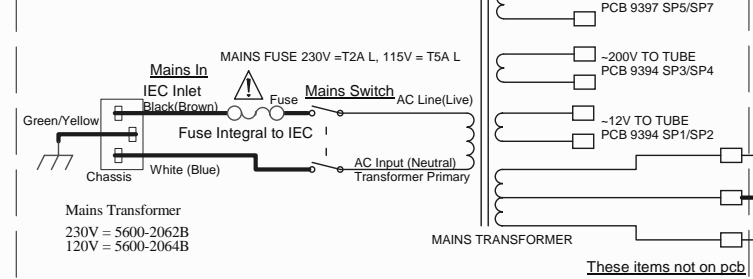
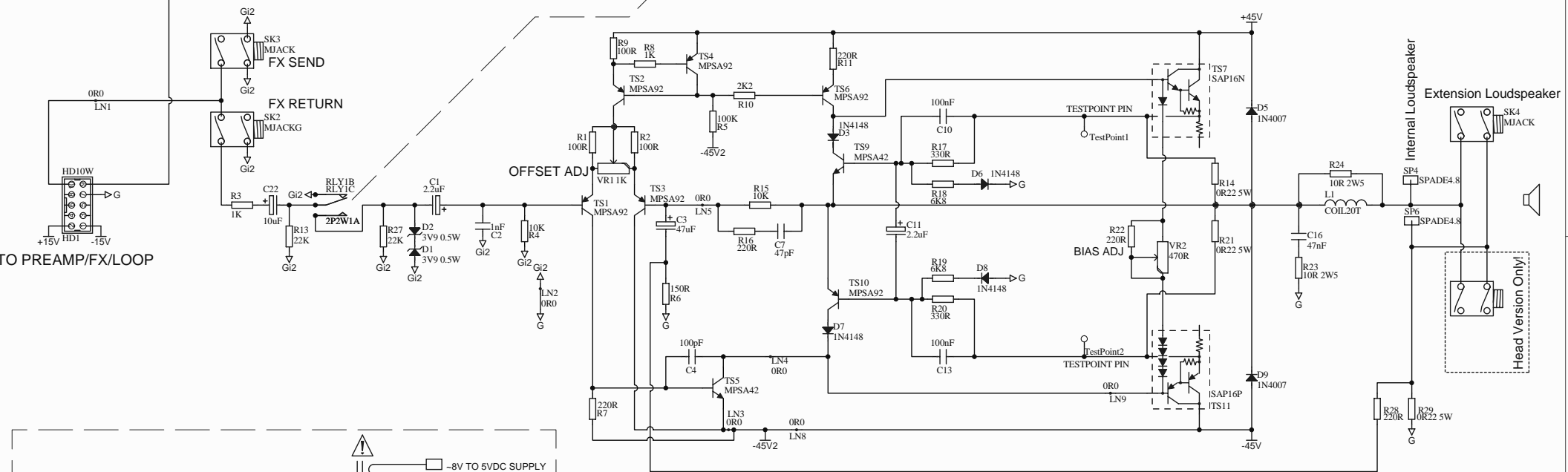
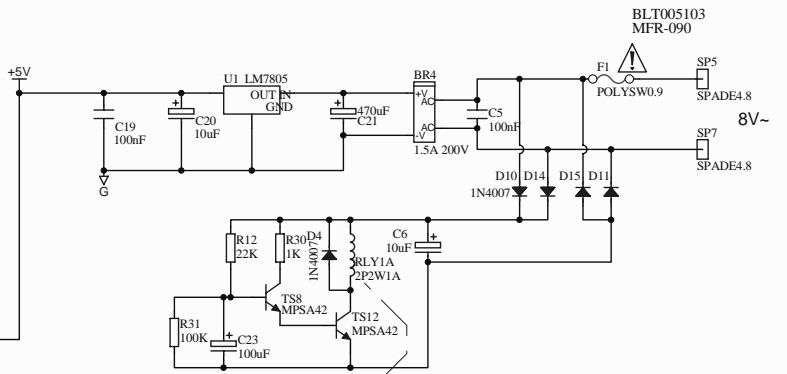
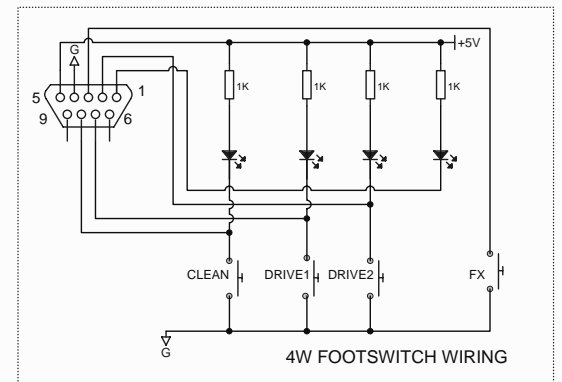
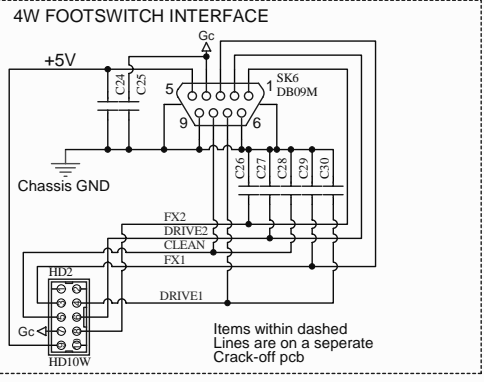
- Clean FS A0
- D1-D2 FS SW A2
- Clean FP A3
- D1 FP A4
- D2 FP A5

NOTE: 65W MODEL = Fit R1 + U1. Miss out LN1+LN2
 NOTE: 120W MODEL = Fit LN1+LN2. Miss out R1 + U1
 NOTE: All resistors to be 1/4W unless otherwise stated
 NOTE: All capacitors to be rated at 16V or higher, unless stated

| | | |
|----------------------------------|----------------|--------------|
| Title: TUBE HYBRID GUITAR PREAMP | | |
| Size: A3 | Number: 9402 | Revision: 2 |
| Date: 17/05/2006 | Time: 09:34:37 | Sheet 1 of 1 |
| Original File: 9402_2.sch | | |

SteelPark Road
 Coombs Wood
 Industrial Estate West
 Halesowen
 UK
www.laney.co.uk

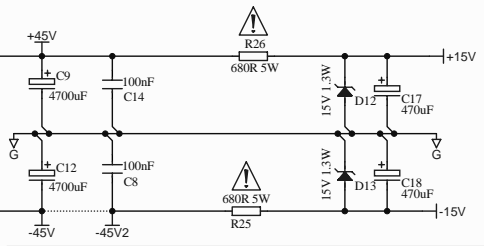




NOTE:
 Set VR2 to give 20mV across TP1 and TP2
 Refer to service manual before adjusting bias preset
 Set VR1 to give 0mV across LS+, LS-

Flame proof resistor
 Must only be replaced with same type and rating

Indicates safety critical component
 Must only be replaced with approved type

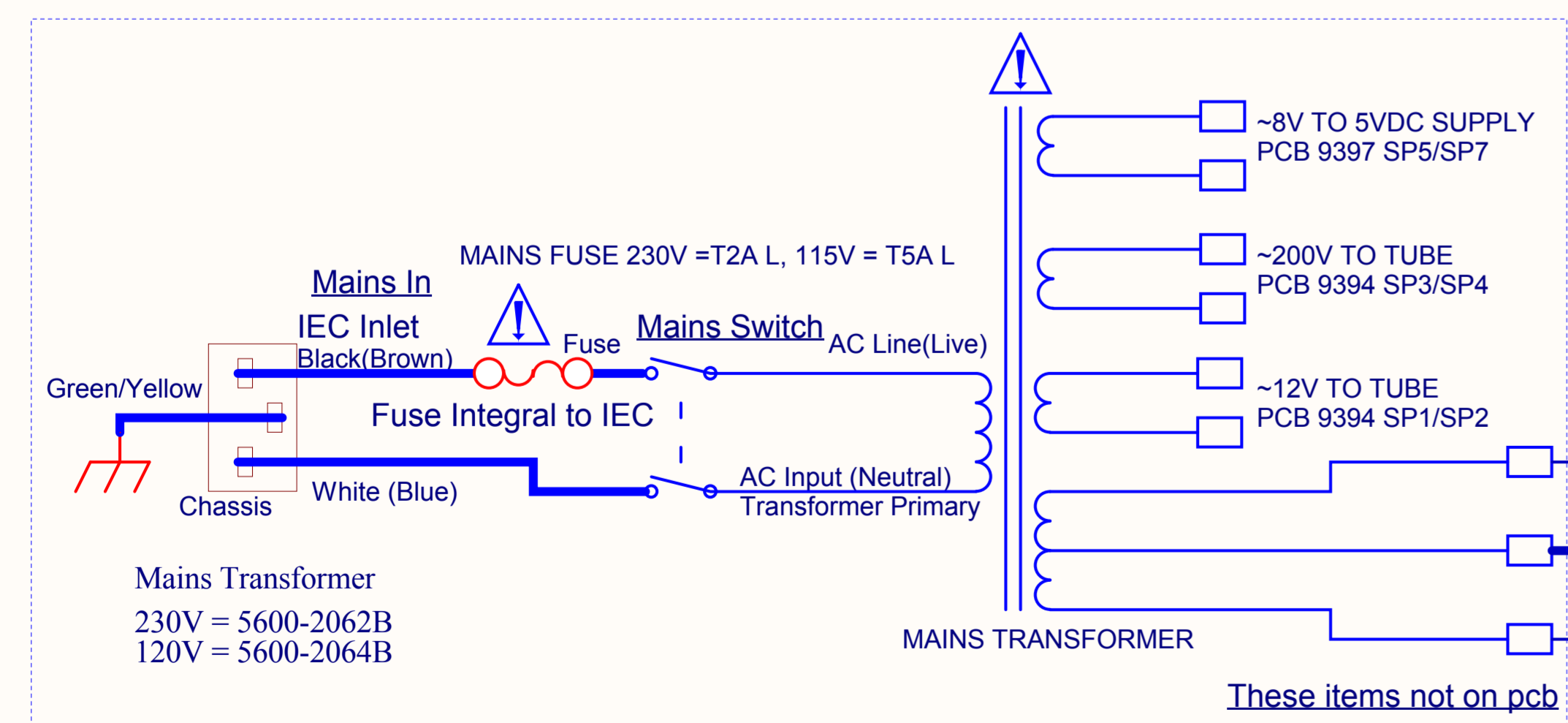
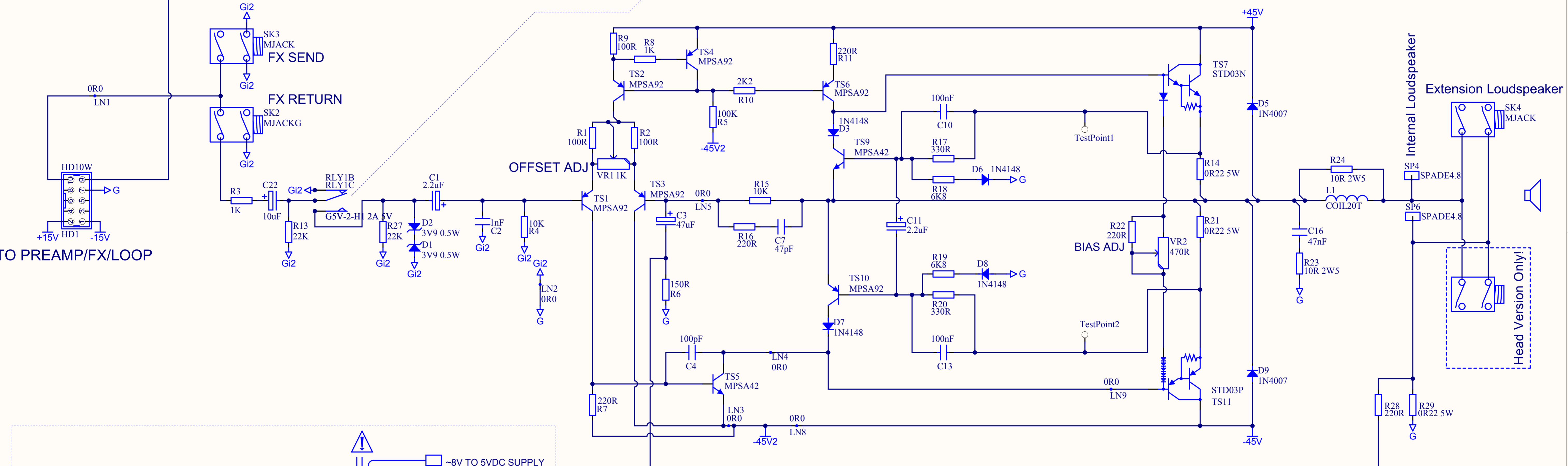
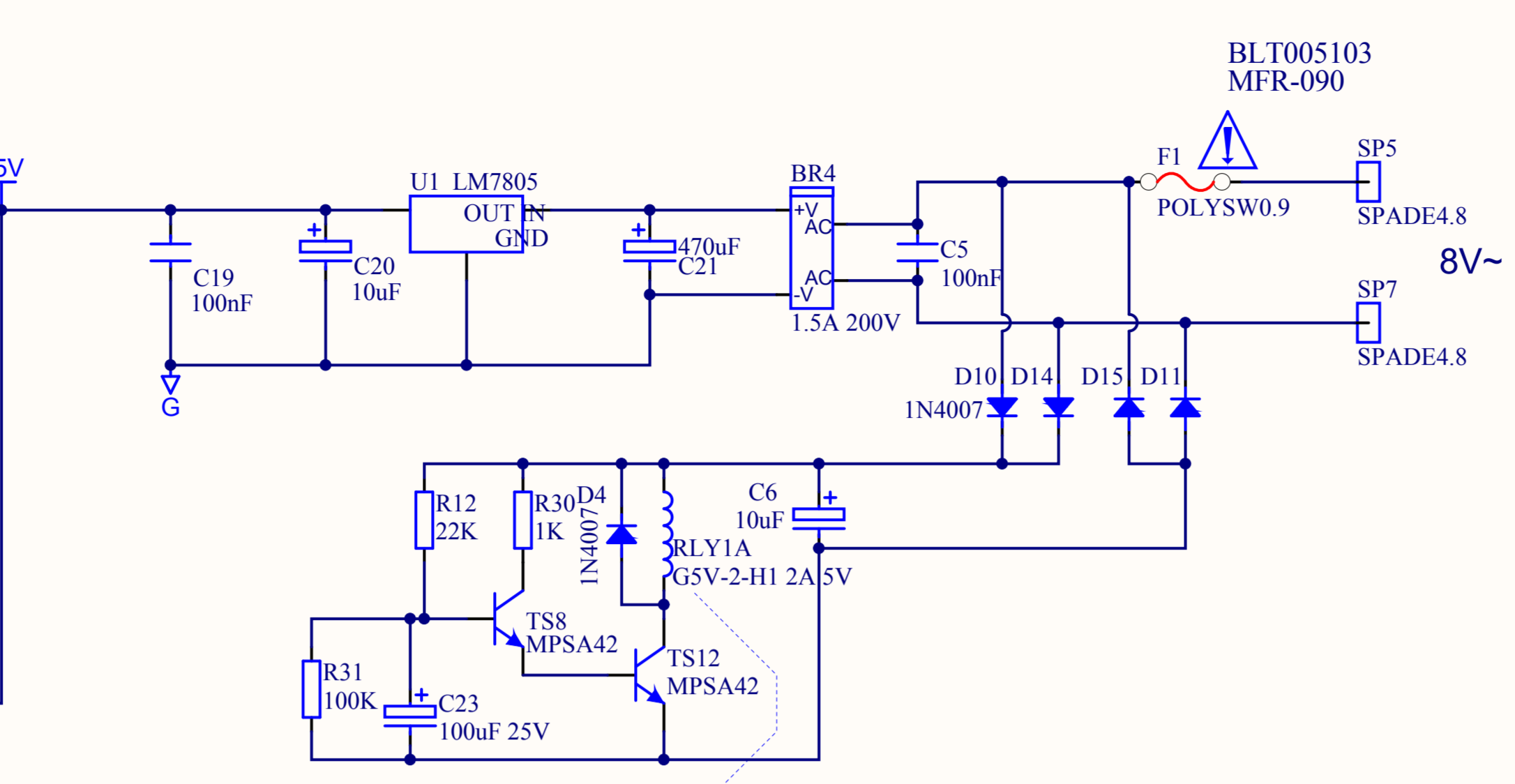
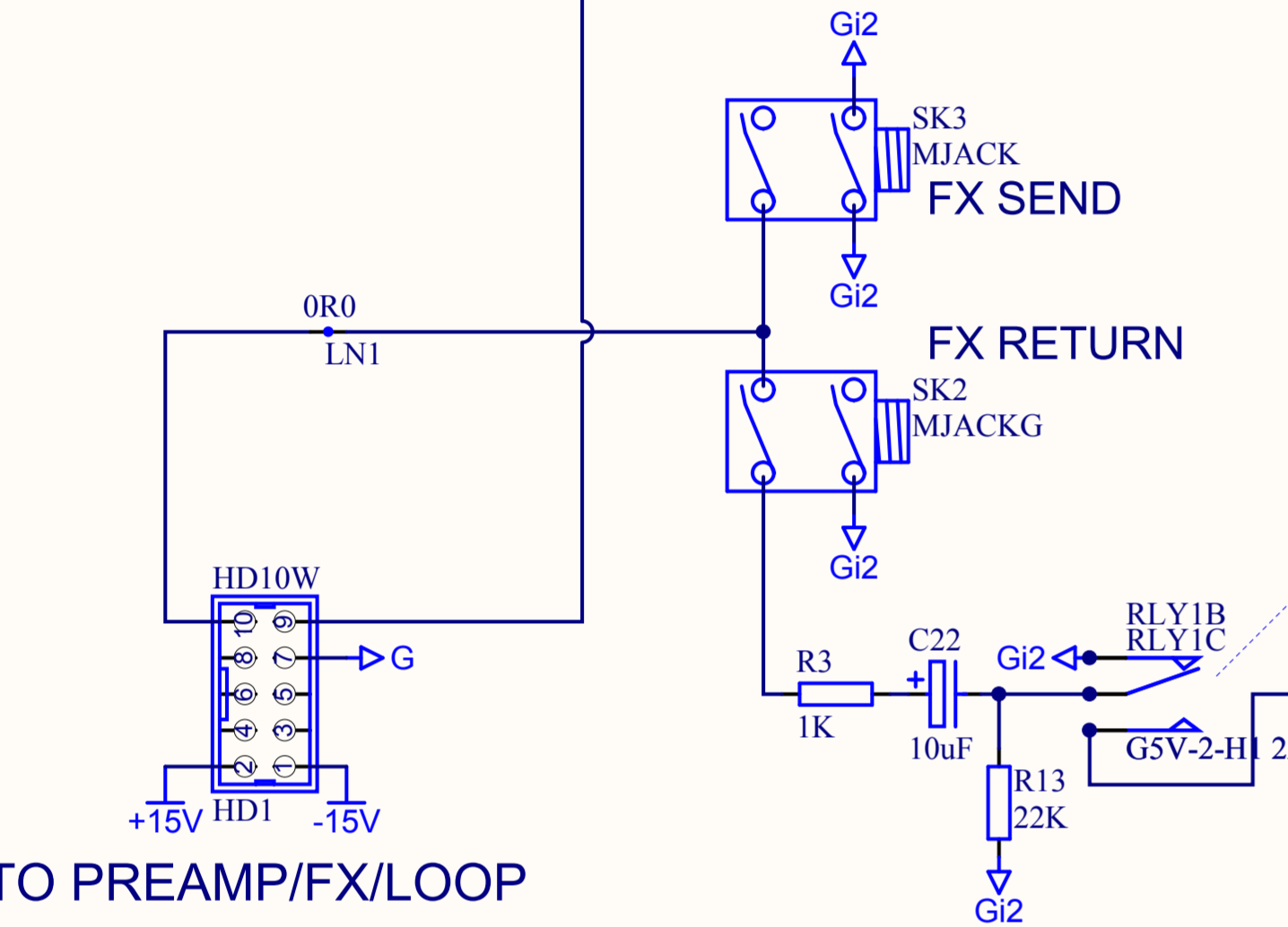
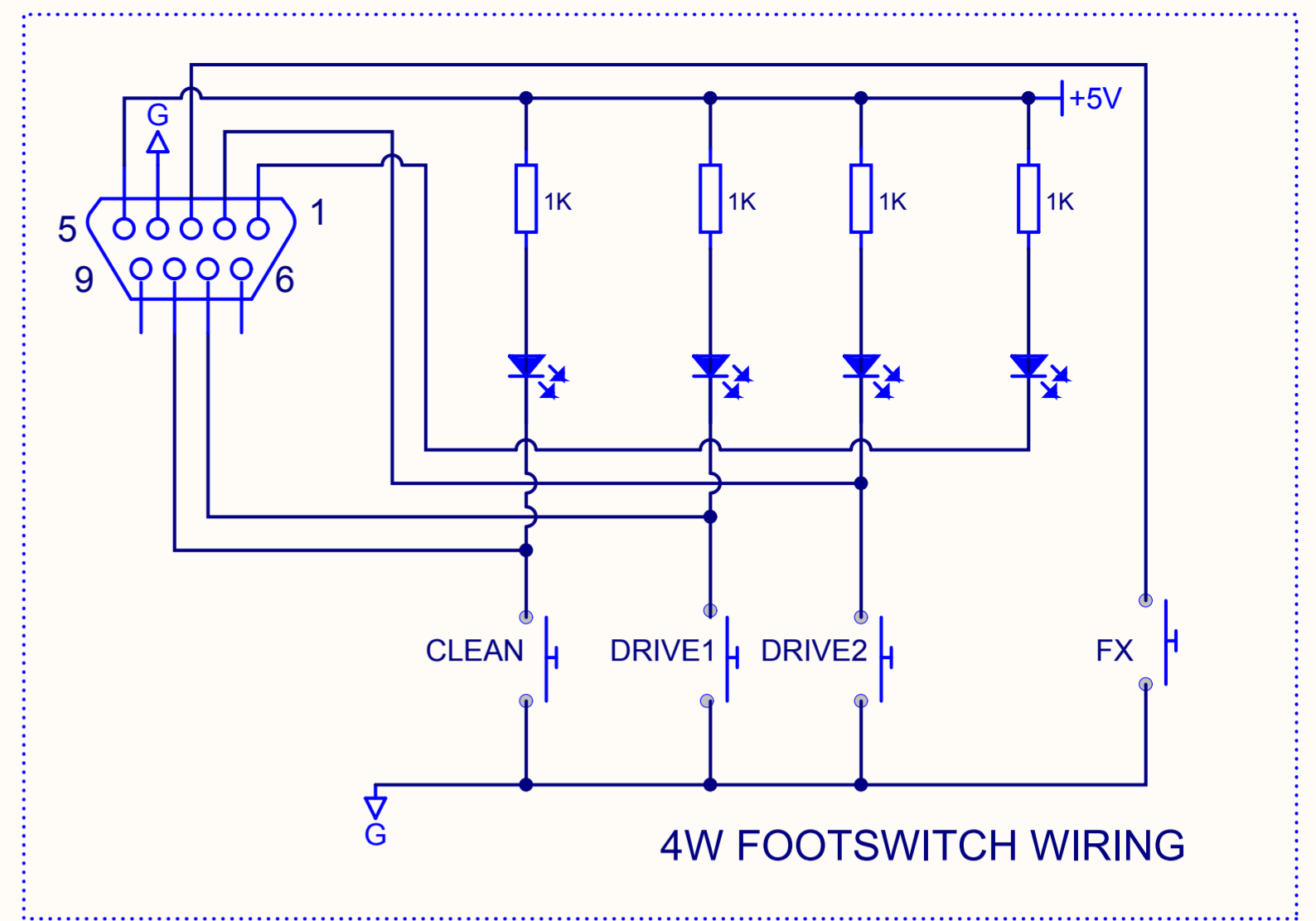
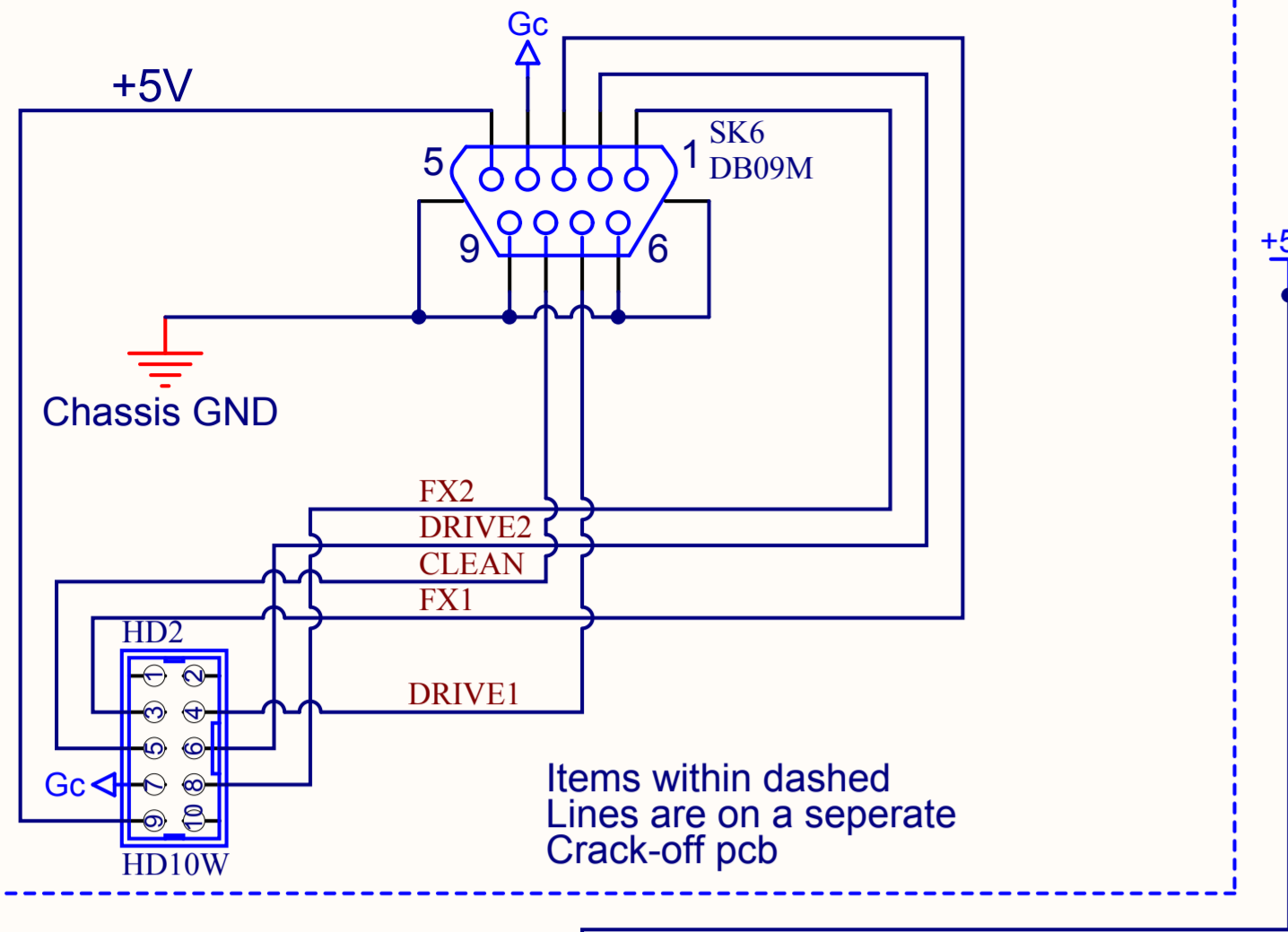


| | | |
|----------------------------------|----------------|--------------|
| Title: 120W GUITAR OUTPUT MODULE | | |
| Size: A3 | Number: 9397 | Revision: 5 |
| Date: 17/05/2006 | Time: 09:39:21 | Sheet 1 of 1 |
| Original File: 9397_6.Sch | | |

Steelpark Road
 Coombs Wood
 Industrial Estate West
 Halesowen
 UK
 www.laney.co.uk

Cannot open file
 D:\Backups\PROTEL-T
 E\EMPLATES\ProtelLib
 ar\DXP>Main\btm\aps\
 SAP15.jpg

4W FOOTSWITCH INTERFACE



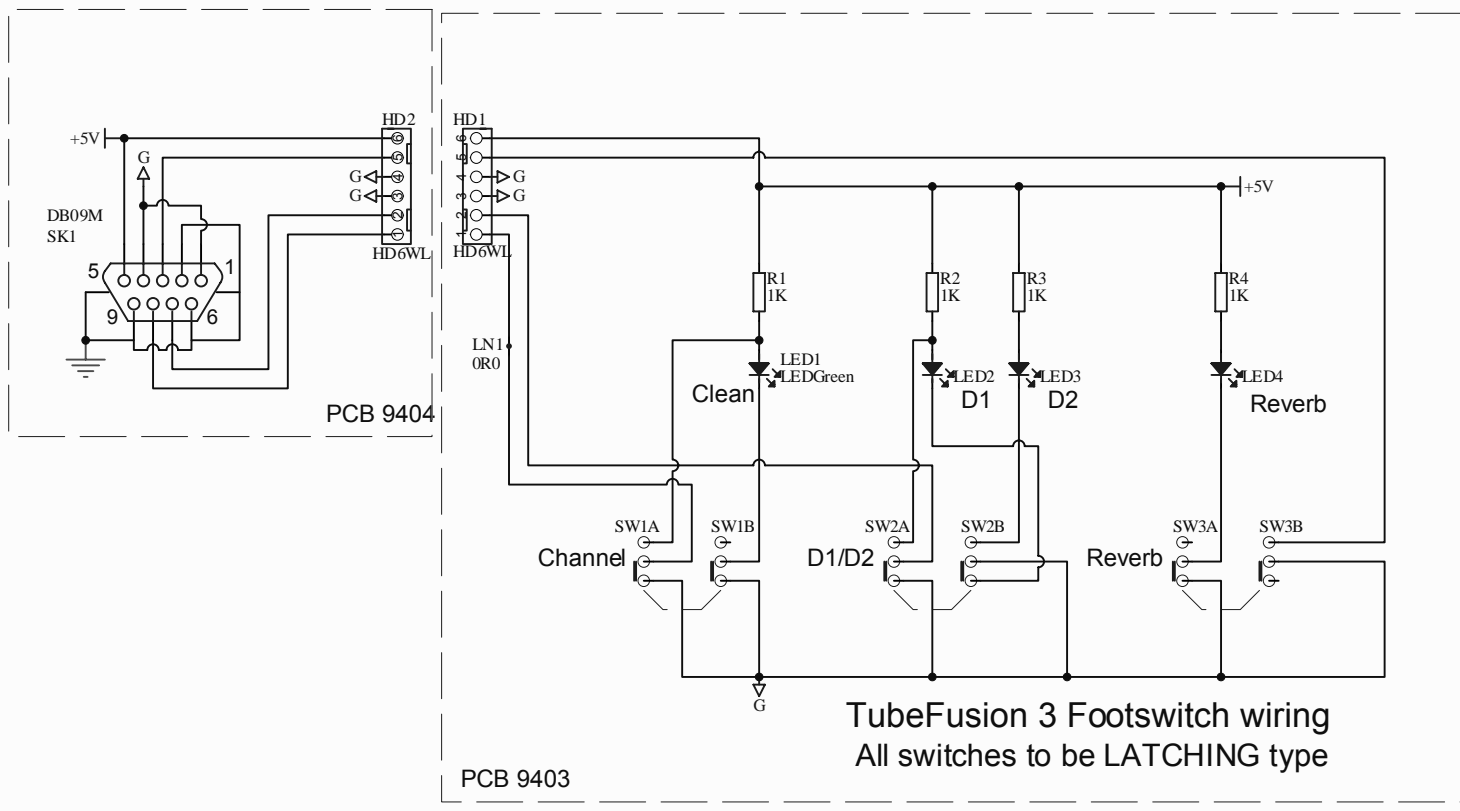
Flame proof resistor
Must only be replaced with same type and rating

Indicates safety critical component
Must only be replaced with approved type

NOTE:
Set VR2 to give 20mV across TP1 and TP2
Refer to service manual before adjusting bias preset
Set VR1 to give 0mV across LS+, LS-

| | | |
|--|----------------|--------------|
| Title: 120W GUITAR OUTPUT PCB (HYBRID) | | |
| Size: A3 | Number: 9397 | Revision: 7 |
| Date: 02/01/2008 | Time: 09:57:33 | Sheet 1 of 1 |
| Original File: 9397.SCHDOC | | |

Steelpark Road
Coombs Wood
Industrial Estate West
Halesowen
UK
www.laney.co.uk



TubeFusion 3 Footswitch wiring
All switches to be LATCHING type

| | |
|--|--|
| Channel = A0 FSCon = A1 D1/D2 = A2 | Clean A0 active lo Drive A0 active Hi Drive1 A2 Active lo Drive2 A2 Active Hi |
|--|--|

| | | | | |
|---------------------------------|----------------|--------------------|--|--|
| Title TF3 Way footswitch | | | BLT Industries Newlyn Road Cradley Heath West Midlands B64 7QD. UK | |
| Size: A4 | Number: 9402 | Revision: 1 | | |
| Date: 07/05/2004 | Time: 10:19:41 | Sheet 1 of 1 | | |
| File: 9403_1.sch | | | | |

LV300 SPARE PARTS LIST



| |
|---------------------------|
| Model No. LV300 |
|---------------------------|

| SPARES ITEM | DESCRIPTION | PART No. |
|-------------|-------------|----------|
|-------------|-------------|----------|

| | | | | |
|---------------------------------|-------------------------|---|-----------------------------------|--------|
| Mains Transformer | 100V | 5600-2072B 120W 100V Mains Transformer | 006218 | |
| | 120V | 5600-2066B 120W 120V Mains Transformer | 006175 | |
| | 230V | 5600-2062B 120W 230V Mains Transformer | 006174 | |
| Reverb Unit | | On 9401 PCB | | |
| Loudspeaker | | Celestion 70 Eighty 8 Ohm | 51200 | |
| Switch | Power | 5A DPDT Rocker Switch | 530027 | |
| Mains Fuse | 100-120V | T5A 20mm Spiral Wound | 005561 | |
| | 220-240V | T2A 20mm Spiral Wound | 005526 | |
| Corner | Front/Top RH | Stainless Steel Angled | 007140 | |
| | Front/Top LH | Stainless Steel Angled | 007085 | |
| | Back/Front | Stainless Steel | 10048 | |
| Jack Sockets | | 1/4 Jack Socket - Standoff Type - Mono | 005097 | |
| | | 1/4 Jack Socket - Standoff Type - Mono - Gold | 005132 | |
| | | 1/4 Jack Socket PCB Mount | 005002 | |
| PCB's | 9401 | Springline Replacment PCB Complete | 007164 | |
| | 9397 | 120W Output Module PCB Complete | 007004 | |
| | Socket | 9 Way D type PCB Mount Header | 005099 | |
| | 9394 | Tube PCB Complete | 007173 | |
| | 9402 | LV300 Pre Amp PCB Complete | 007436 | |
| | Pots | VR1/5/6/8/9 | 100K Log 6mm Spline | 004062 |
| | | VR7 | 100K Lin 6mm Spline | 004071 |
| | | VR2/4 | 220K Log 6mm Spline | 004078 |
| | | VR10 | 2K2 Lin 6mm Spline | 004063 |
| | | VR3/11/12/13 | 22K Lin 6mm Spline | 004061 |
| | Switch | SW4 | 2P2W Push Switch | 005017 |
| | | SW1/2/3 | Piggyback Push Switch 4P2W Double | 005300 |
| | Tube | | ECC83 Std | 005548 |
| Tube Base | | B9A Plastic Tube Base | 005579 | |
| Badge | | Large Laney Badge | 10056 | |
| Control Knob | | Small Chicken Head | 005628 | |
| Handle | | Strap Handle (S/Steel Caps) | 007167 | |
| Mains Inlet Socket | | IEC Mains Inlet Socket Fused | 005005 | |
| Footswitch | | LVFS3 | 10026 | |
| Footswitch Lead | | Footswitch Lead (9W D type F/F) | 007393 | |
| Mains Lead | | Country Dependant | | |
| Feet | | Screw on Rubber Feet | 10059 | |
| Output / Safety Critical Device | 1 | SAP15N Darlington Power (NPN) OBSOLETE | 003807 | |
| | 2 | SAP15P Darlington Power (PNP) OBSOLETE | 003808 | |
| | 1 | STD03N Darlington Power (NPN) Replacement for above | 003817 | |
| | 2 | STD03P Darlington Power (PNP) Replacement for above | 003818 | |
| | | OR22 5% 5W Emitter Resistor (1 Reqd.for each STD Dev | 007036 | |
| | | If you experience difficulty fitting, contact Laney service | | |
| | 3 | 4700uF 63V Radial Capacitor | 002006 | |
| | 4 | 680R 6W Resistor | 001705 | |
| | 5 | T100mA Fuse | 005586 | |
| | 6 | 10K 5W Resistor | 001714 | |
| 7 | 0.9A Poly Switch MFR090 | 005103 | | |
| Cabinet Minus Loudspeaker | | Carcass minus L/Speaker LV300 | 007108 | |
| Manual | | LV300 User Manual | 007110 | |

LV300TWIN SPARE PARTS LIST



| Model No. LV300 TWIN | | | | |
|---------------------------------|-------------------------|---|-----------------------------------|------------------|
| SPARES ITEM | | DESCRIPTION | PART No. | |
| Mains Transformer | 100V | 5600-2072B 120W 100V Mains Transformer | 006218 | |
| | 120V | 5600-2066B 120W 120V Mains Transformer | 006175 | |
| | 230V | 5600-2062B 120W 230V Mains Transformer | 006174 | |
| Reverb Unit | | On 9401 PCB | | |
| Loudspeaker | | Celestion Super 65 16 Ohm | 51504 | |
| Switch | Power | 5A DPDT Rocker Switch | 530027 | |
| Mains Fuse | 100-120V | T5A 20mm Spiral Wound | 005561 | |
| | 220-240V | T2A 20mm Spiral Wound | 005526 | |
| Corner | Front/Top RH | Stainless Steel Angled | 007140 | |
| | Front/Top LH | Stainless Steel Angled | 007085 | |
| | Back/Front | Stainless Steel | 10048 | |
| Jack Sockets | | 1/4 Jack Socket - Standoff Type - Mono | 005097 | |
| | | 1/4 Jack Socket - Standoff Type - Mono - Gold | 005132 | |
| | | 1/4 Jack Socket PCB Mount | 005002 | |
| PCB's | 9401 | Springline Replacment PCB Complete | 007164 | |
| | 9397 | 120W Output Module PCB Complete | 007004 | |
| | Socket | 9 Way D type PCB Mount Header | 005099 | |
| | 9394 | Tube PCB Complete | 007173 | |
| | 9402 | LV300 Pre Amp PCB Complete | 007436 | |
| | Pots | VR1/5/6/8/9 | 100K Log 6mm Spline | 004062 |
| | | VR7 | 100K Lin 6mm Spline | 004071 |
| | | VR2/4 | 220K Log 6mm Spline | 004078 |
| | | VR10 | 2K2 Lin 6mm Spline | 004063 |
| | | VR3/11/12/13 | 22K Lin 6mm Spline | 004061 |
| | | Switch | SW4 | 2P2W Push Switch |
| | SW1/2/3 | | Piggyback Push Switch 4P2W Double | 005300 |
| | Tube | | ECC83 Std | 005548 |
| Tube Base | | B9A Plastic Tube Base | 005579 | |
| Badge | | Large Laney Badge | 10056 | |
| Control Knob | | Small Chicken Head | 005628 | |
| Handle | | Strap Handle (S/Steel Caps) | 007167 | |
| Mains Inlet Socket | | IEC Mains Inlet Socket Fused | 005005 | |
| Footswitch | | LVFS3 | 10026 | |
| Footswitch Lead | | Footswitch Lead (9W D type F/F) | 007393 | |
| Mains Lead | | Country Dependant | | |
| Feet | | Screw on Rubber Feet | 10059 | |
| Output / Safety Critical Device | 1 | SAP15N Darlington Power (NPN) OBSOLETE | 003807 | |
| | 2 | SAP15P Darlington Power (PNP) OBSOLETE | 003808 | |
| | 1 | STD03N Darlington Power (NPN) Replacement for above | 003817 | |
| | 2 | STD03P Darlington Power (PNP) Replacement for above | 003818 | |
| | | 0R22 5% 5W Emitter Resistor (1 Reqd.for each STD Device) | 007036 | |
| | | If you experience difficulty fitting, contact Laney service | | |
| | 3 | 4700uF 63V Radial Capacitor | 002006 | |
| | 4 | 680R 6W Resistor | 001705 | |
| 5 | T100mA Fuse | 005586 | | |
| 6 | 10K 5W Resistor | 001714 | | |
| 7 | 0.9A Poly Switch MFR090 | 005103 | | |
| Cabinet Minus Loudspeaker | | Carcass minus L/Speaker LV300 TWIN | 007109 | |
| Manual | | LV300 TWIN User Manual | 007110 | |

LV300H SPARE PARTS LIST



| |
|----------------------------|
| Model No. LV300H |
|----------------------------|

| SPARES ITEM | | DESCRIPTION | PART No. | |
|---------------------------------|-------------------------|---|---------------------|--------|
| Mains Transformer | 100V | 5600-2072B 120W 100V Mains Transformer | 006218 | |
| | 120V | 5600-2066B 120W 120V Mains Transformer | 006175 | |
| | 230V | 5600-2062B 120W 230V Mains Transformer | 006174 | |
| Reverb Unit | | On 9401 PCB | | |
| Switch | Power | 5A DPDT Rocker Switch | 530027 | |
| Mains Fuse | 100-120V | T5A 20mm Spiral Wound | 005561 | |
| | 220-240V | T2A 20mm Spiral Wound | 005526 | |
| Corner | Front/Back | Stainless Steel | 10048 | |
| Jack Socket | | 1/4 Jack Socket - Standoff Type - Mono | 005097 | |
| | | 1/4 Jack Socket - Standoff Type - Mono - Gold | 005132 | |
| | | 1/4 Jack Socket PCB Mount | 005002 | |
| PCB's | 9401 | Springline Replacment PCB Complete | 007164 | |
| | 9397 | 120W Output Module PCB Complete | 007004 | |
| | Socket | 9 Way D type PCB Mount Header | 005099 | |
| | 9394 | Tube PCB Complete | 007173 | |
| | 9402 | LV300 Pre Amp PCB Complete | 007436 | |
| | Pots | VR1/5/6/8/9 | 100K Log 6mm Spline | 004062 |
| | | VR7 | 100K Lin 6mm Spline | 004071 |
| | | VR2/4 | 220K Log 6mm Spline | 004078 |
| | | VR10 | 2K2 Lin 6mm Spline | 004063 |
| | | VR3/11/12/13 | 22K Lin 6mm Spline | 004061 |
| Switch | SW4 | 2P2W Push Switch | 005017 | |
| | SW1/2/3 | Piggyback Push Switch 4P2W Double | 005300 | |
| Tube | | ECC83 Std | 005548 | |
| Tube Base | | B9A Plastic Tube Base | 005579 | |
| Badge | | Large Laney Badge | 10056 | |
| Control Knob | | Small Chicken Head | 005628 | |
| Handle | | Strap Handle (S/Steel Caps) | 007167 | |
| Mains Inlet Socket | | IEC Mains Inlet Socket Fused | 005005 | |
| Footswitch | | LVFS3 | 10026 | |
| Footswitch Lead | | Footswitch Lead (9W D type F/F) | 007393 | |
| Mains Lead | | Country Dependant | | |
| Feet | | Screw on Rubber Feet | 10059 | |
| Output / Safety Critical Device | 1 | SAP15N Darlington Power (NPN) OBSOLETE | 003807 | |
| | 2 | SAP15P Darlington Power (PNP) OBSOLETE | 003808 | |
| | 1 | STD03N Darlington Power (NPN) Replacement for above | 003817 | |
| | 2 | STD03P Darlington Power (PNP) Replacement for above | 003818 | |
| | | 0R22 5% 5W Emitter Resistor (1 Reqd.for each STD Device) | 007036 | |
| | | If you experience difficulty fitting, contact Laney service | | |
| | 3 | 4700uF 63V Radial Capacitor | 002006 | |
| | 4 | 680R 6W Resistor | 001705 | |
| | 5 | T100mA Fuse | 005586 | |
| | 6 | 10K 5W Resistor | 001714 | |
| 7 | 0.9A Poly Switch MFR090 | 005103 | | |
| Cabinet | | Carcass LV300H | 007111 | |
| Manual | | LV300H User Manual | 007112 | |