

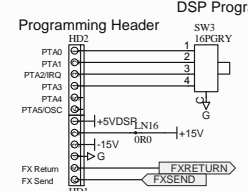
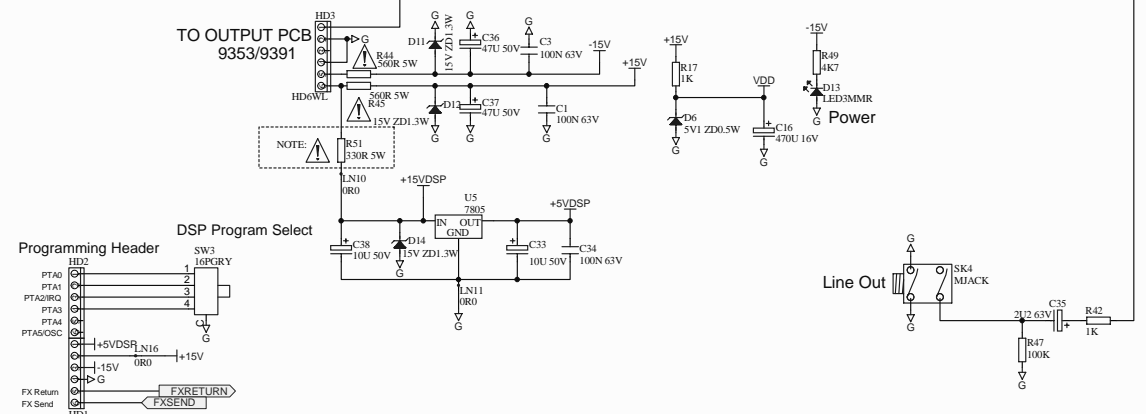
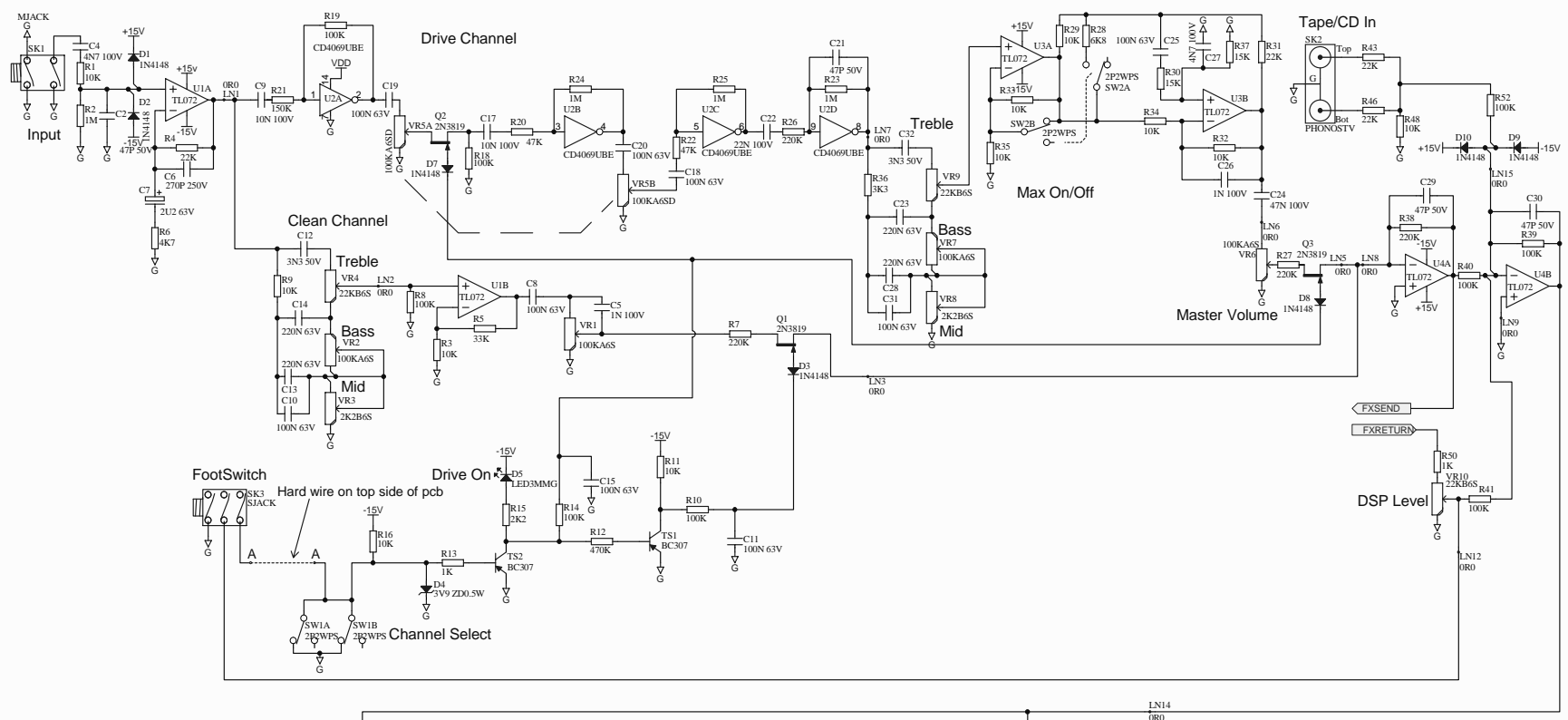
LX120H/LX120Twin

Service Information

Laney

POWER TO THE MUSIC

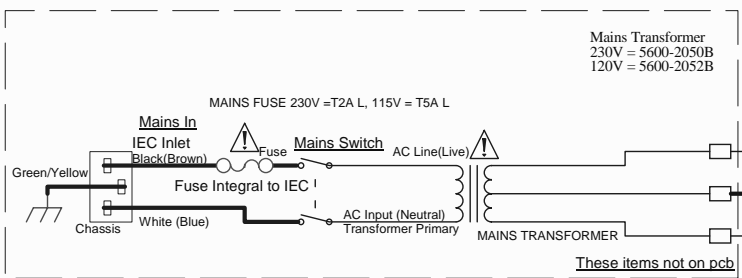
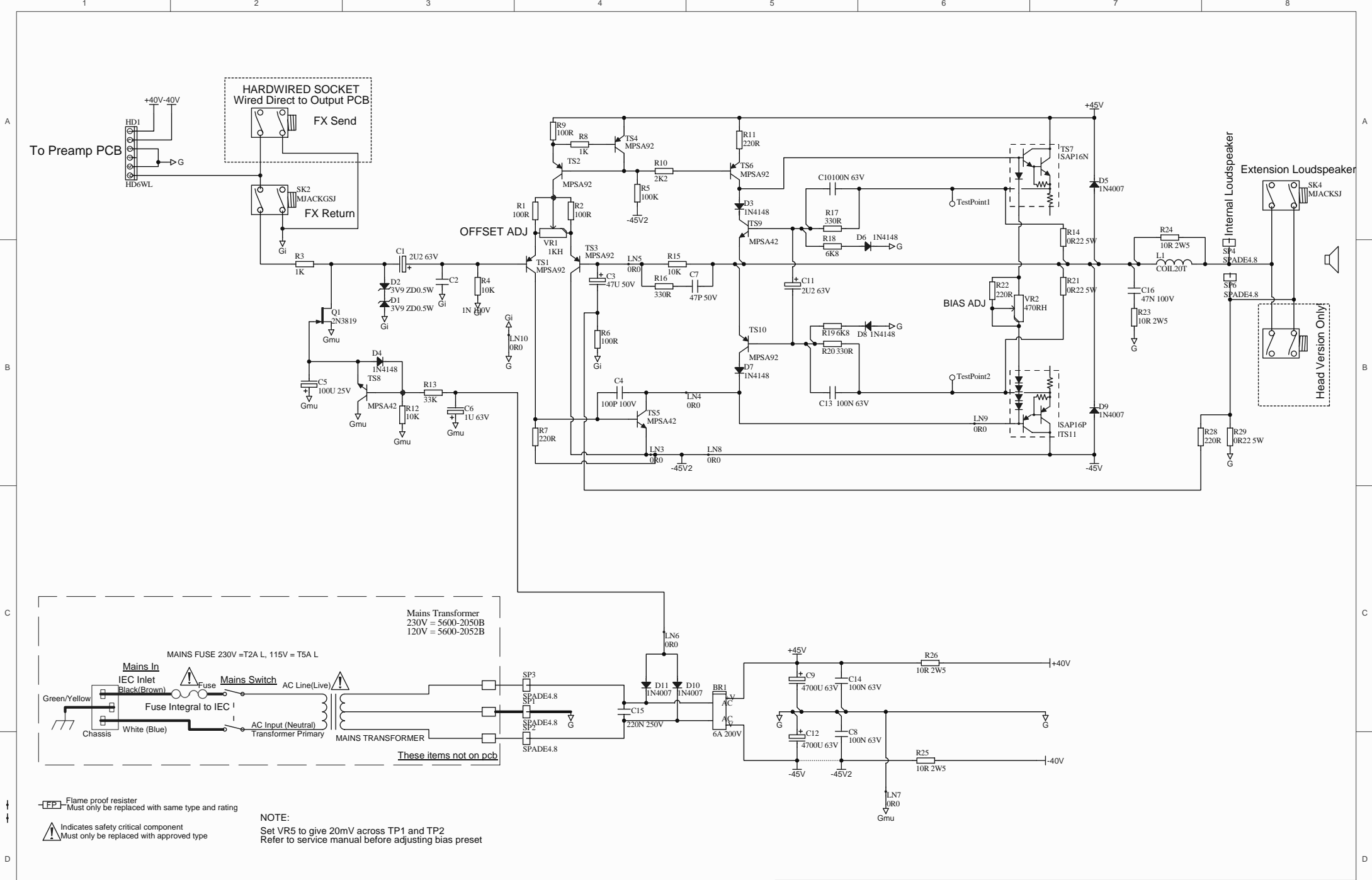
www.laney.co.uk



NOTE: 65W PRODUCTS / R51 = 270R
 NOTE: 120W PRODUCTS / R51 = 330R

NOTE: All resistors to be 1/4W unless otherwise stated
 NOTE: All capacitors to be rated at 16V or higher

⚠ Indicates safety critical component
 Must only be replaced with approved type

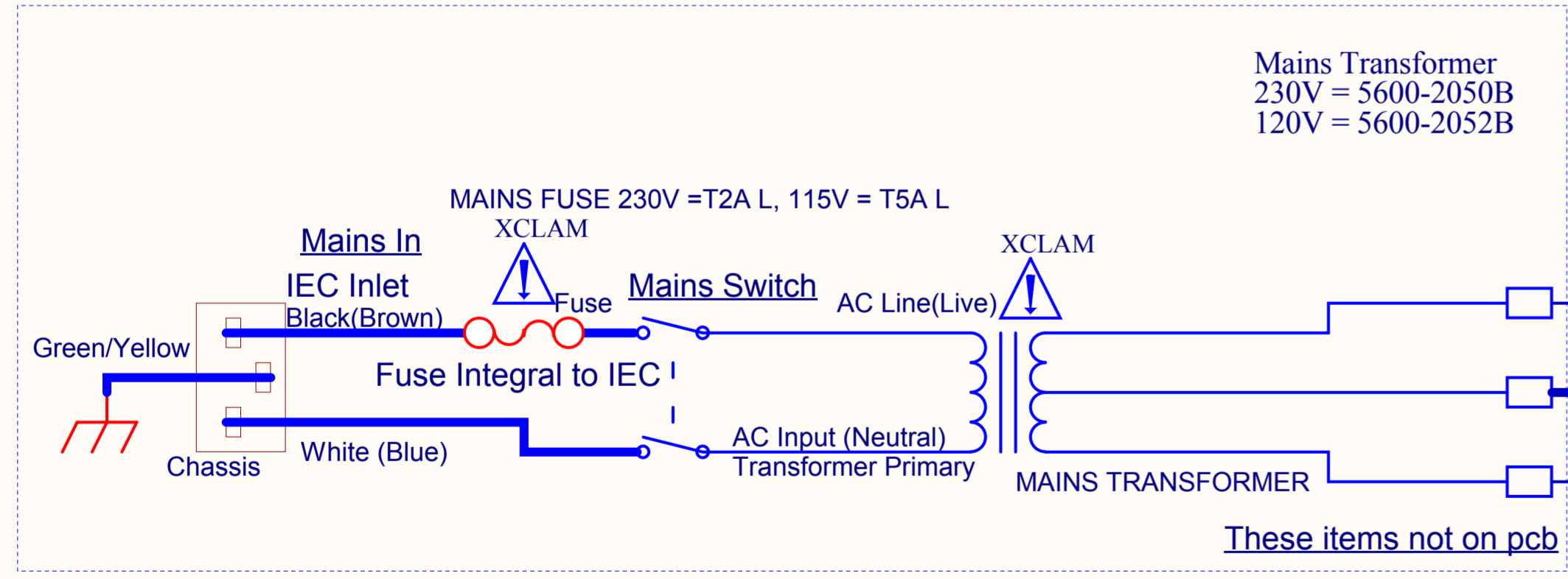
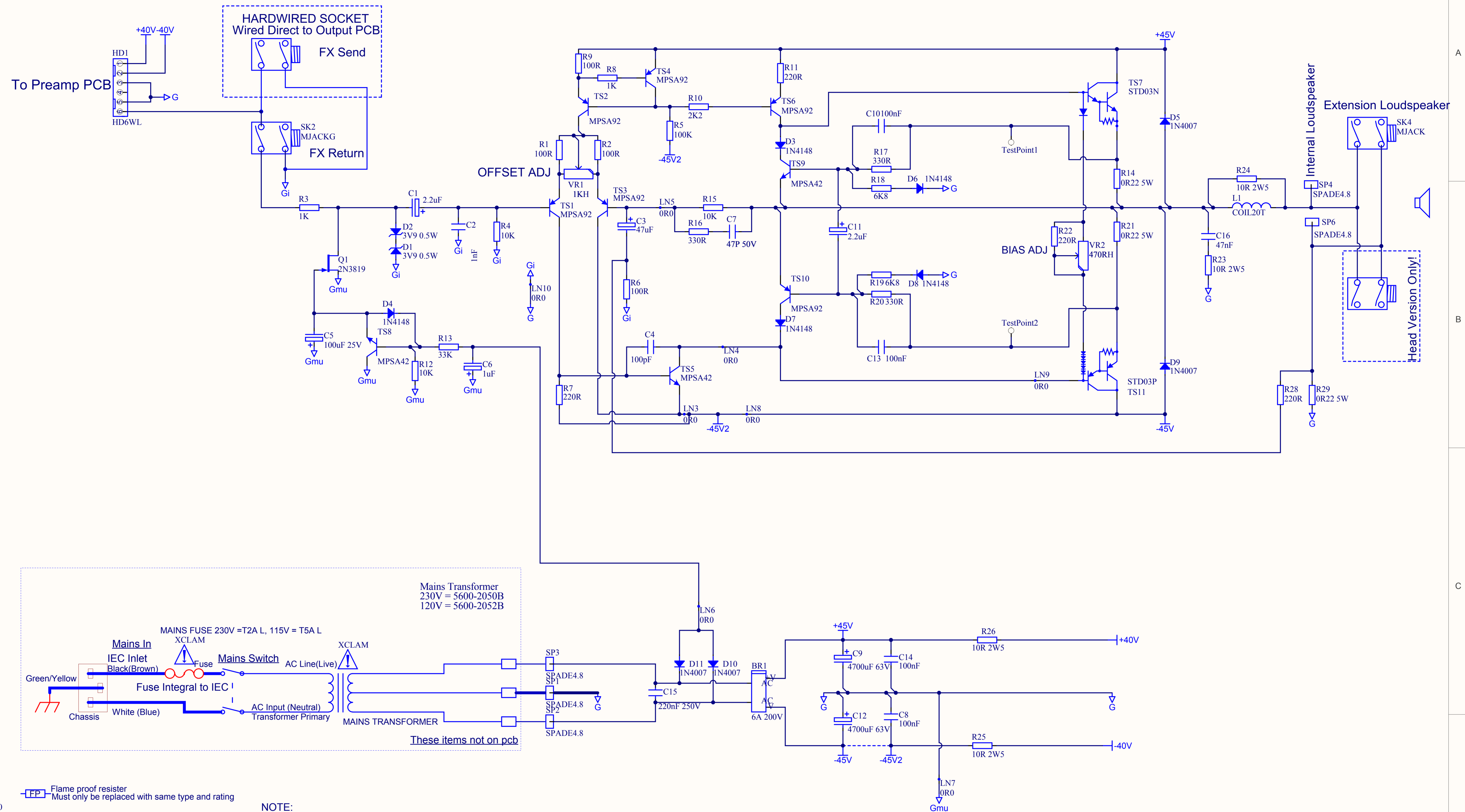


[FP] Flame proof resistor
 Must only be replaced with same type and rating
 ⚠ Indicates safety critical component
 Must only be replaced with approved type

NOTE:
 Set VR5 to give 20mV across TP1 and TP2
 Refer to service manual before adjusting bias preset

Title: 120W OUTPUT MODULE		
Size: A3	Number: 9391	Revision: 3
Date: 16/05/2006	Time: 16:16:41	Sheet 1 of 1
Original File: 9391_3.Sch		

Steelpark Road
 Coombs Wood
 Industrial Estate West
 Halesowen
 UK
 www.laney.co.uk



NOTE:
 Set VR5 to give 20mV across TP1 and TP2
 Refer to service manual before adjusting bias preset

- ⬮ Flame proof resistor
Must only be replaced with same type and rating
- ⚠ Indicates safety critical component
Must only be replaced with approved type

Title: 120W GUITAR OUTPUT PCB		
Size: A3	Number: 9391	Revision: 4
Date: 20/12/2007	Time: 10:54:08	Sheet 1 of 1
Original File: 9391.SCHDOC		

Steelpark Road
 Coombs Wood
 Industrial Estate West
 Halesowen
 UK
www.laney.co.uk



LX120H SPARE PARTS LIST



Model No.
LX120H

SPARES ITEM		DESCRIPTION	PART No.	
Mains Transformer	100V	5600-2058B 120W 100V Mains Transformer	006202	
	120V	5600-2052B 120W 120V Mains Transformer	006165	
	230V	5600-2050B 120W 230V Mains Transformer	006164	
Reverb Unit		On PCB 9383		
Switch	Power	5A DPDT Rocker Switch	530027	
Mains Fuse	100-120V	T5A 20mm Spiral Wound	005531	
	220-240V	T2A 20mm Spiral Wound	005526	
Corner	Front/Back	Black Non Hooked Type	007035	
Jack Sockets		1/4 Jack Socket - Standoff Type - Stereo	005098	
		1/4 Jack Socket - Standoff Type - Mono - Gold	005132	
		1/4 Jack Socket - Standoff Type - Mono	005097	
		1/4 Jack Socket - Tagged	10004	
PCB's	9387	120W Pre Amp PCB Complete	007006	
	Pots	VR1/2/6/7/10	100K Log 6mm Spline	004062
		VR5	100K Log 6mm Spline Dual	004073
		VR3/8	2K2 Lin 6mm Spline	004063
		VR4/9	22K Lin 6mm Spline	004061
	Switch	SW1/2	2P2W Push Switch	005017
	9391	120W Output Module PCB Complete	007005	
	9383	DSP PCB Complete	007976	
Badge		Large Laney Badge	10056	
Control Knob	1	Small Chicken Head	005628	
	2	Small Chicken Head (Flatted for Effects control)	005654	
Handle		Black Strap Handle	10100	
Mains Inlet Socket		IEC Mains Inlet Socket Fused	005005	
Phono Sockets		Stereo Vertical Phono Sockets	005058	
Mains Lead		Country Dependant		
Feet		Screw on Rubber Feet	10059	
Output / Safety Critical Device	1	SAP15N Darlington Power (NPN) OBSOLETE	003807	
	2	SAP15P Darlington Power (PNP) OBSOLETE	003808	
	1	STD03N Darlington Power (NPN) Replacement for above	003817	
	2	STD03P Darlington Power (PNP) Replacement for above	003818	
		0R22 5% 5W Emitter Resistor (1 Reqd. for each STD Device)	007036	
		If you experience difficulty fitting, contact Laney service		
	3	4700uF 63V Radial Capacitor	002006	
	4	330R 5W Resistor	001706	
5	560R 5W Resistor	001710		
Cabinet Minus Loudspeaker		Carcass plus fittings LX120H	007117	
Manual		LX120H User Manual	007118	

LX120 TWIN SPARE PARTS LIST



Model No.
LX120 Twin

SPARES ITEM		DESCRIPTION	PART No.	
Mains Transformer	100V	5600-2058B 120W 100V Mains Transformer	006202	
	120V	5600-2052B 120W 120V Mains Transformer	006165	
	230V	5600-2050B 120W 230V Mains Transformer	006164	
Reverb Unit		On PCB 9383		
Loudspeaker		Celestion 70 Eighty 16 Ohm	51205	
Switch	Power	5A DPDT Rocker Switch	530027	
Mains Fuse	100-120V	T5A 20mm Spiral Wound	005531	
	220-240V	T2A 20mm Spiral Wound	005526	
Corner	Front/Back	Black Non Hooked Type	007035	
Jack Sockets		1/4 Jack Socket - Standoff Type - Stereo	005098	
		1/4 Jack Socket - Standoff type - Mono - Gold	005132	
		1/4 Jack Socket - Standoff Type - Mono	005097	
		1/4 Jack Socket - Tagged	10004	
PCB's	9387	120W Pre Amp PCB Complete	007006	
	Pots	VR1/2/6/7/10	100K Log 6mm Spline	004062
		VR5	100K Log 6mm Spline Dual	004073
		VR3/8	2K2 Lin 6mm Spline	004063
		VR4/9	22K Lin 6mm Spline	004061
	Switch	SW1/2	2P2W Push Switch	005017
	9391	120W Output Module PCB Complete	007005	
	9383	DSP PCB Complete	007976	
Badge	1	Large Laney Badge	10056	
	2	Extreme Badge	007069	
Control Knob		Small Chicken Head	005628	
Handle		Black Strap Handle	10100	
Mains Inlet Socket		IEC Mains Inlet Socket Fused	005005	
Phono Sockets		Stereo Vertical Phono Sockets	005058	
Mains Lead		Country Dependant		
Feet		Screw on Rubber Feet	10059	
Output / Safety Critical Device	1	SAP15N Darlington Power (NPN) OBSOLETE	003807	
	2	SAP15P Darlington Power (PNP) OBSOLETE	003808	
	1	STD03N Darlington Power (NPN) Replacement for above	003817	
	2	STD03P Darlington Power (PNP) Replacement for above	003818	
		0R22 5% 5W Emitter Resistor (1 Reqd.for each STD Device)	007036	
		If you experience difficulty fitting, contact Laney service		
	3	4700uF 63V Radial Capacitor	002006	
4	330R 5W Resistor	001706		
5	560R 5W Resistor	001710		
Cabinet Minus Loudspeaker		Carcass minus L/Speaker LX120Twin	007119	
Manual		LX120Twin User Manual	007120	