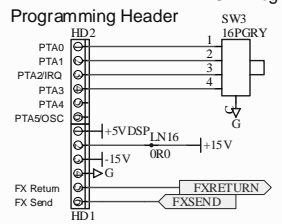
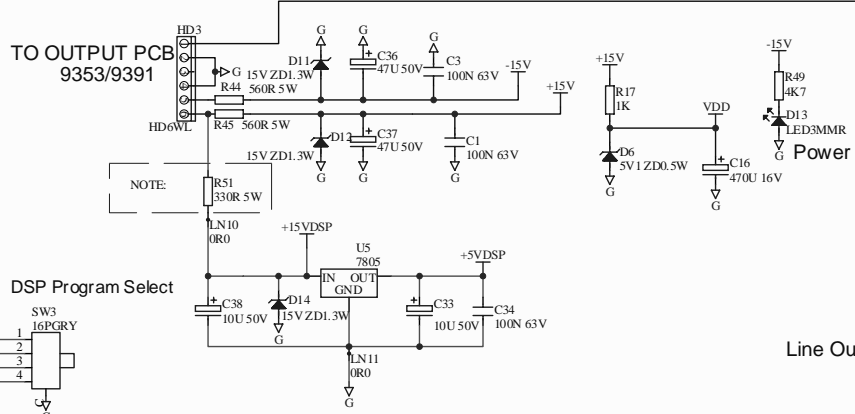
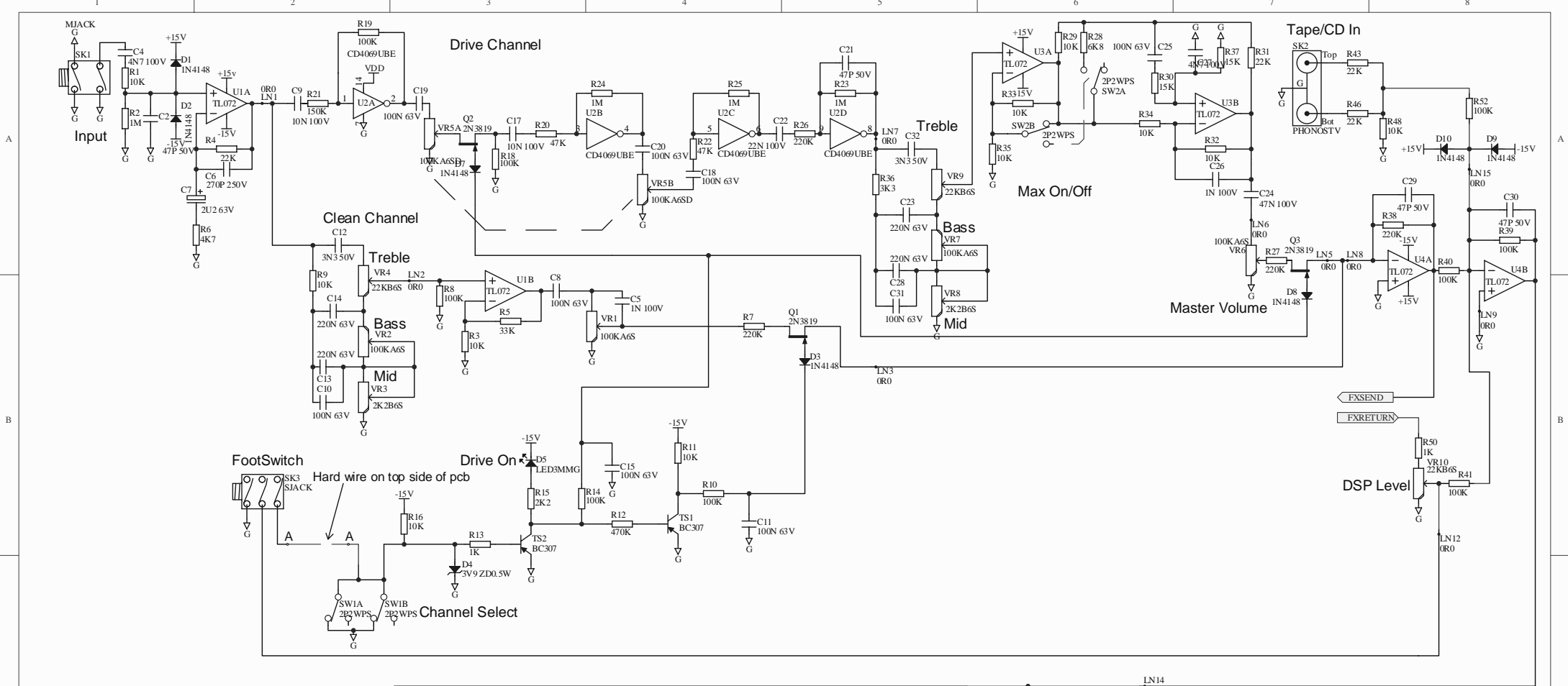


MXD 120/H/Twin

Service Information

Laney
Classic British Amplification

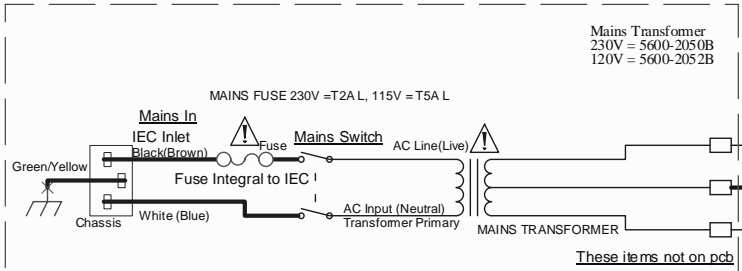
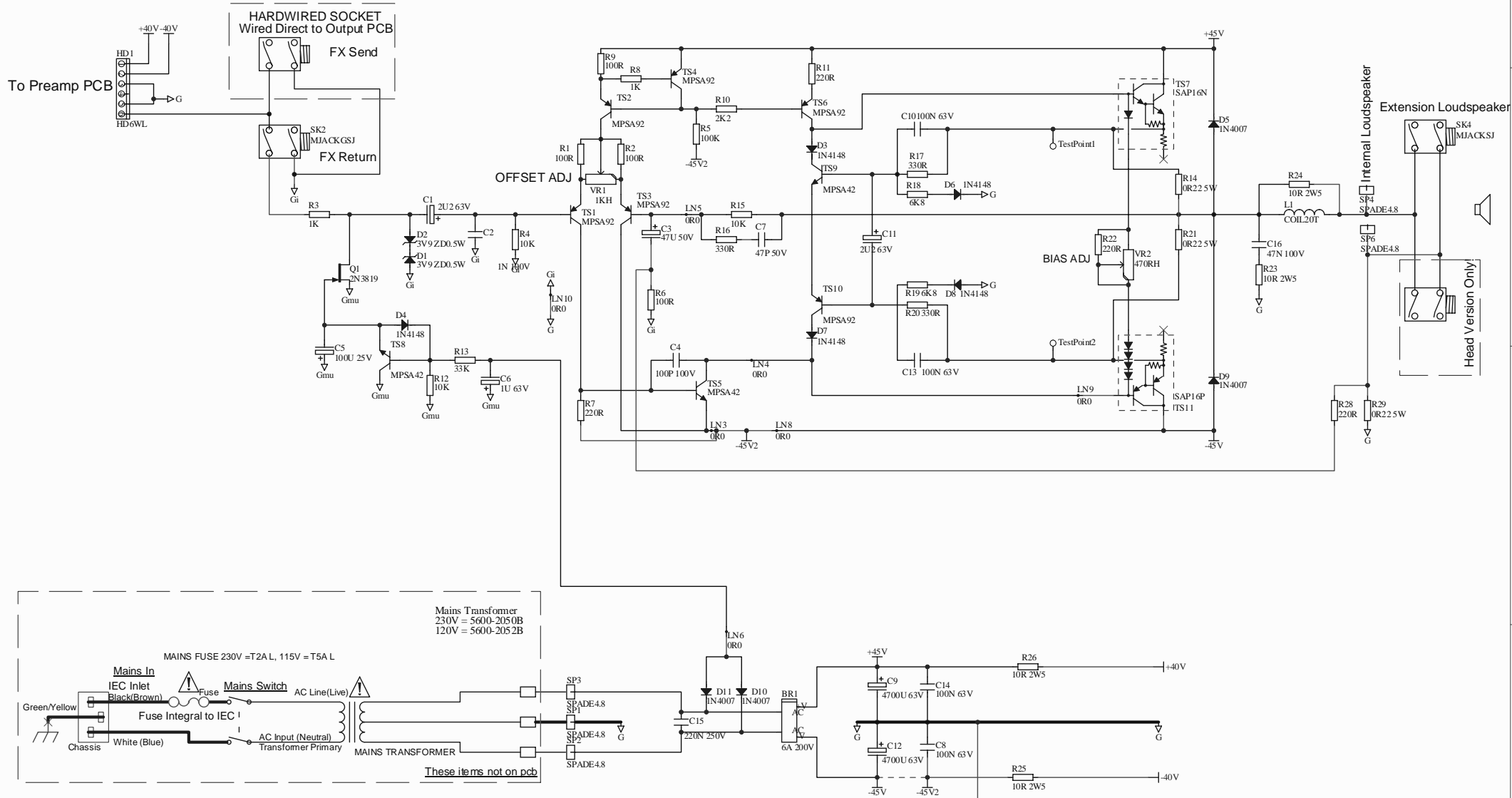
Newlyn Road, Cradley Heath, West Midlands. B64 6BE
www.laney.co.uk



NOTE: MXD65 / R51 = 270R
 NOTE: MXD120 / R51 = 330R

NOTE: All resistors to be 1/4W unless otherwise stated
 NOTE: All capacitors to be rated at 16V or higher

| Title | | |
|------------------------------|---|-------------------------|
| MXD65 / MXD120 PREAMP | | |
| Size | Number | Revision |
| A3 | 9387 | 6 |
| Date: | 10/10/2003 9387_6.Sch | Sheet 1 of 1 |
| File: | C:\Documents and Settings\...9387_6.Sch | Drawn By: Rich Thompson |



Flame proof resistor
 Must only be replaced with same type and rating
 Indicates safety critical component
 Must only be replaced with approved type

NOTE:
 Set VR5 to give 20mV across TP1 and TP2
 Refer to service manual before adjusting bias preset

| | | | |
|-------|-----------------------|---------------|-------------------------|
| | | Title | |
| | | MXD120 OUTPUT | |
| Size | Number | Revision | |
| A3 | 9391 | 3 | |
| Date: | 23/10/2003 9391_3.Sch | | Sheet 1 of 1 |
| File: | D:\9391_3\9391_3.Sch | | Drawn By: Rich Thompson |