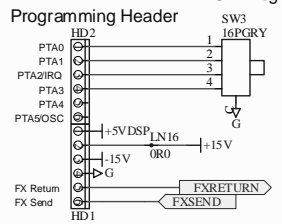
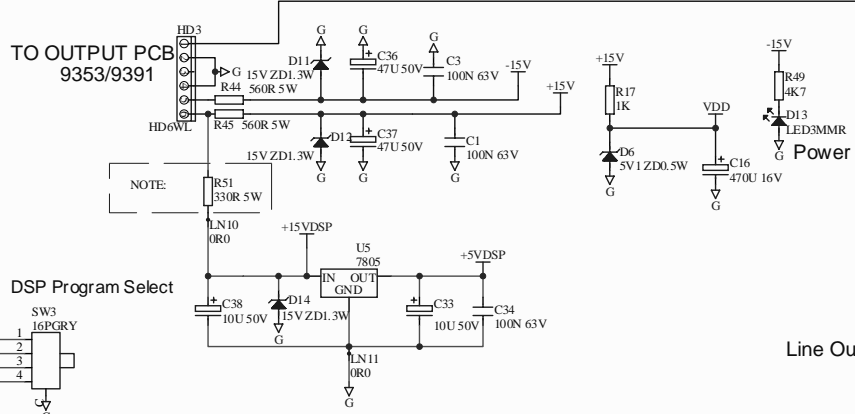
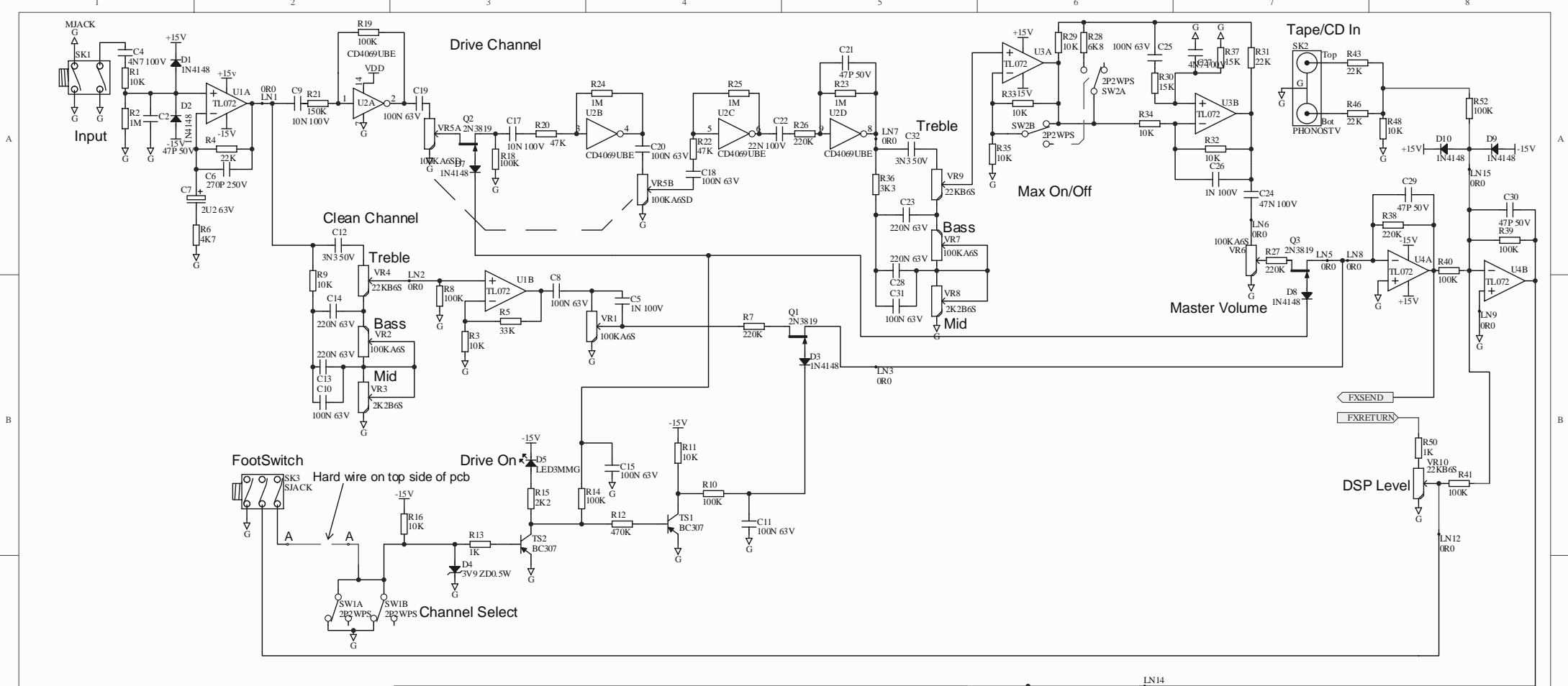


# ***MXD120***

## ***Service Information***

**Laney**  
*Classic British Amplification*

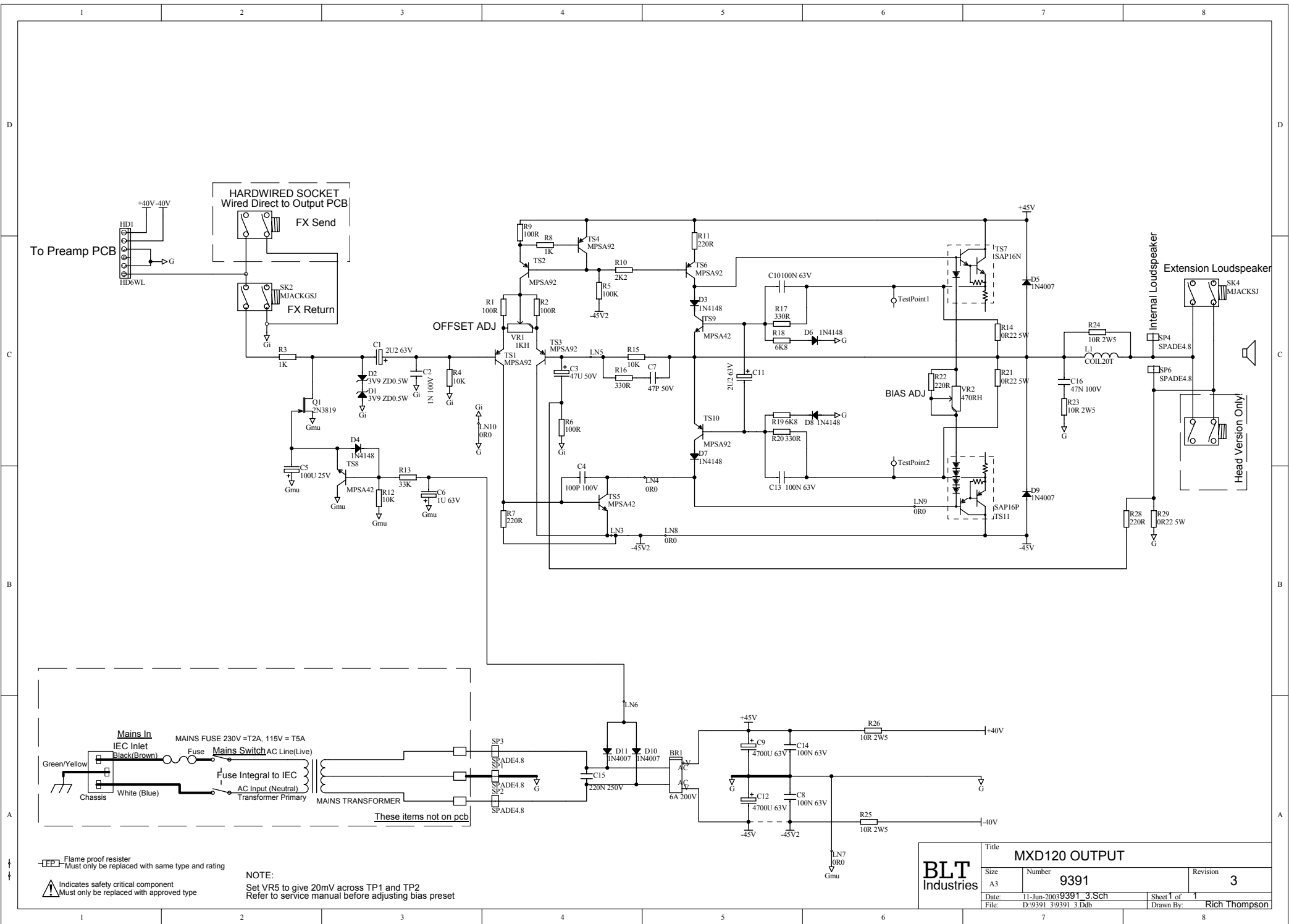
**Newlyn Road, Cradley Heath, West Midlands. B64 6BE**  
**[www.laney.co.uk](http://www.laney.co.uk)**



NOTE: MXD65 / R51 = 270R  
 NOTE: MXD120 / R51 = 330R

NOTE: All resistors to be 1/4W unless otherwise stated  
 NOTE: All capacitors to be rated at 16V or higher

Title			MXD65 / MXD120 PREAMP		
Size	Number	Revision			
A3	9387	6			
Date:	10/10/2003	9387_6.Sch	Sheet 1 of 1		
File:	C:\Documents and Settings\...9387_6.Sch		Drawn By:	Rich Thompson	



Flame proof resistor  
Must only be replaced with same type and rating

Indicates safety critical component  
Must only be replaced with approved type

NOTE:  
Set VR5 to give 20mV across TP1 and TP2  
Refer to service manual before adjusting bias preset

<b>BLT Industries</b>		Title <b>MXD120 OUTPUT</b>	
		Size A3	Number <b>9391</b>
Date 11-Jun-2003	3.Sch	Sheet 1 of 1	Revision <b>3</b>
File D:\9391_3\9391_3.Dtb	Drawn By: Rich Thompson		