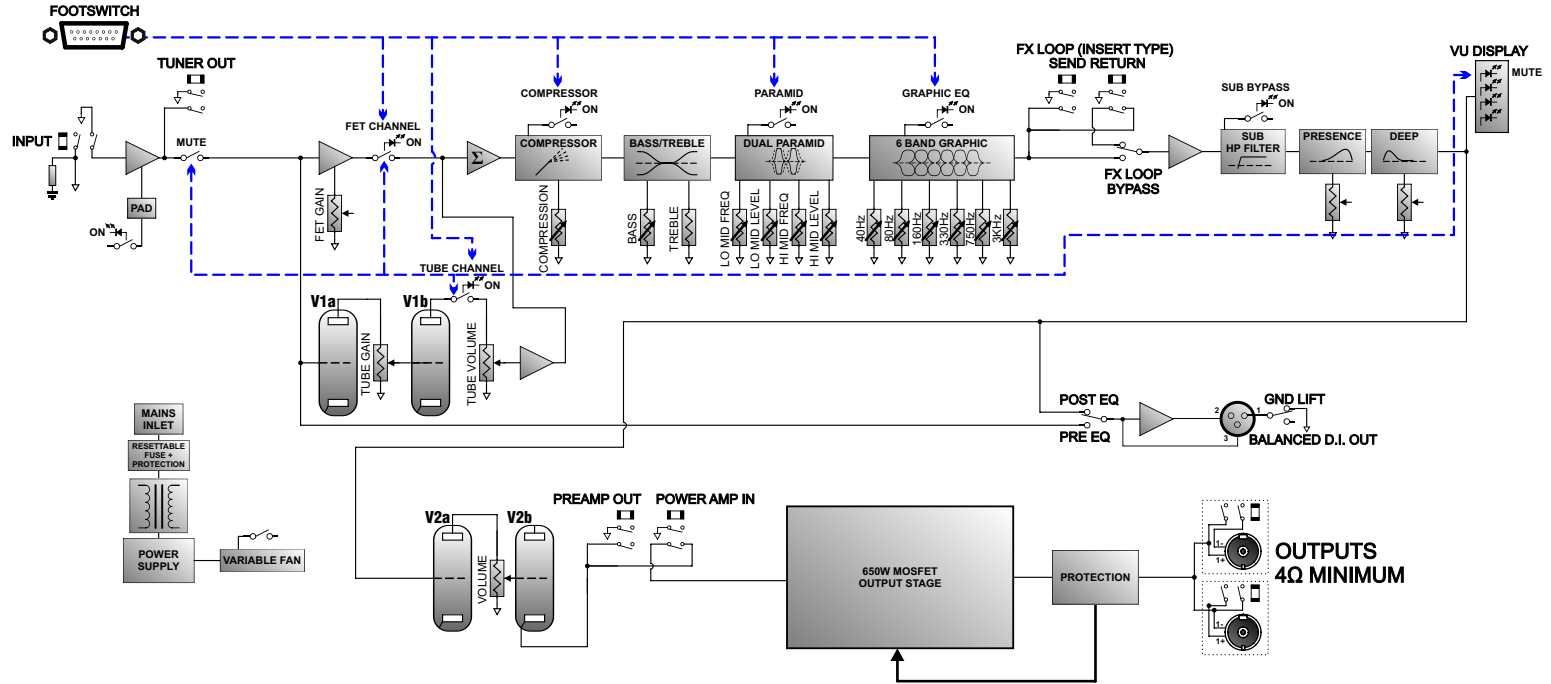


NXF

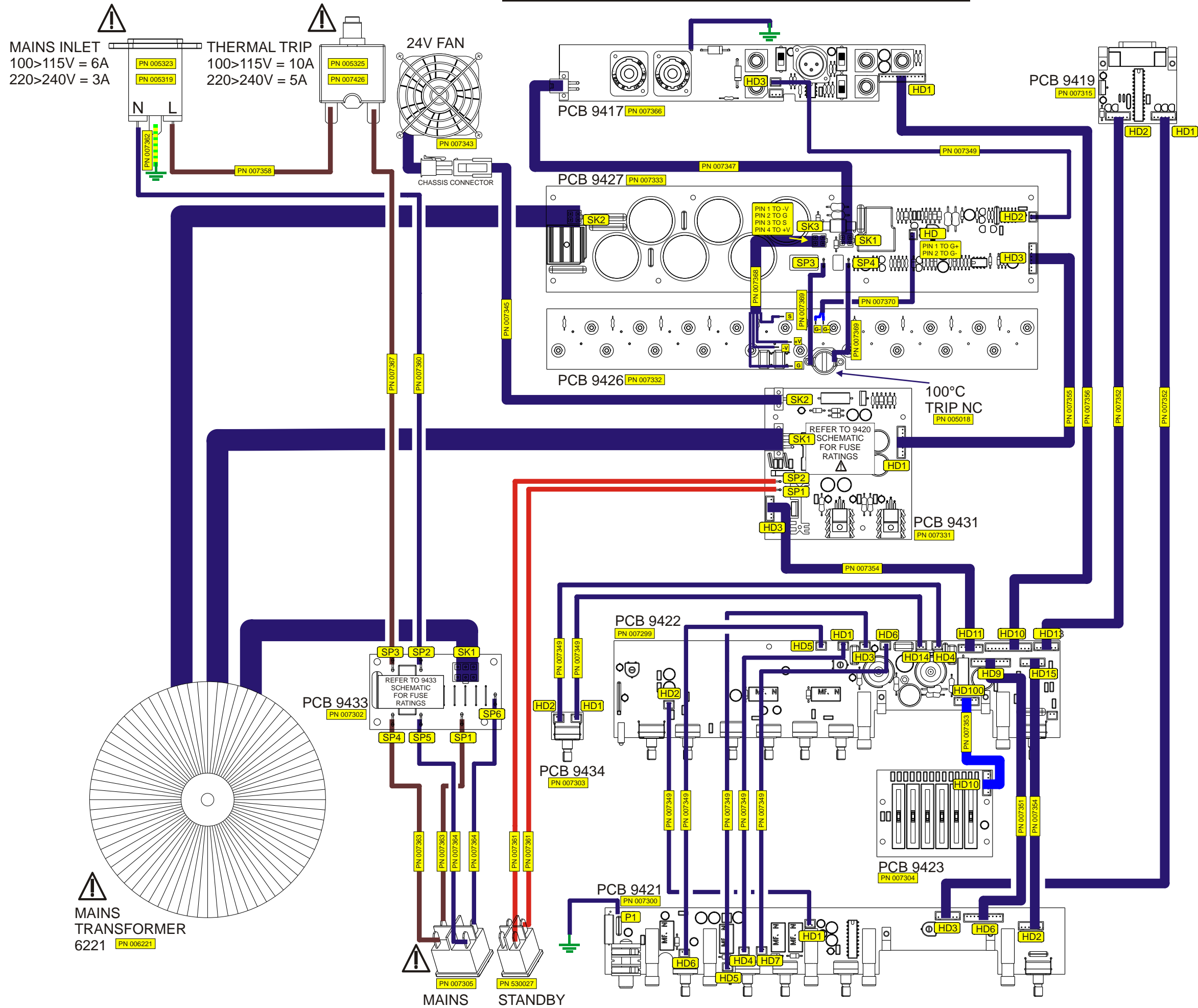
Service Information

Laney
POWER TO THE MUSIC
www.laney.co.uk

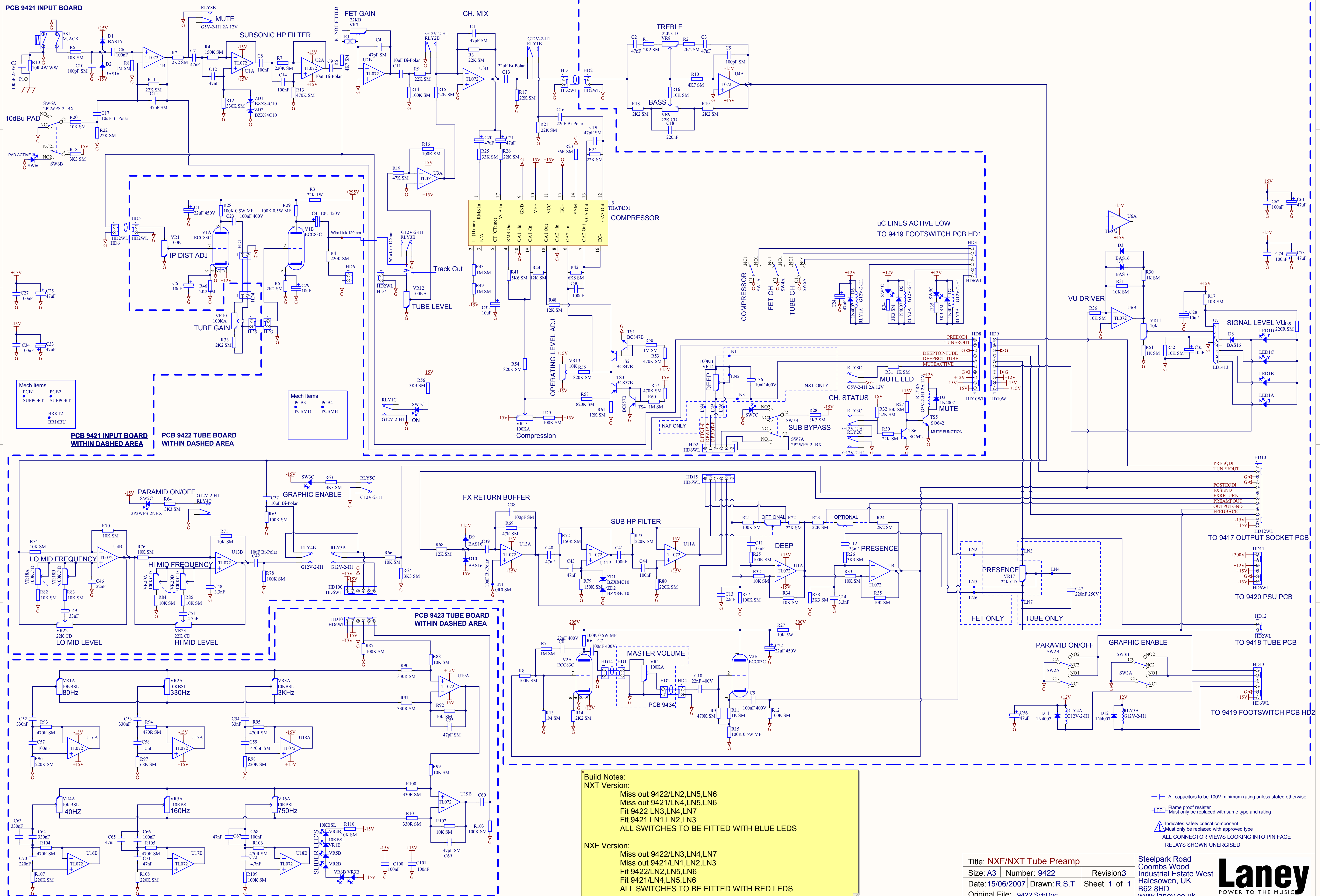
NXF BLOCK DIAGRAM (SERVICE MANUAL)



NXF SYSTEM WIRING DIAGRAM



PCBS ALL VIEWED FROM CONNECTOR SIDE. ACTUAL ORIENTATION IN UNIT MAY DIFFER



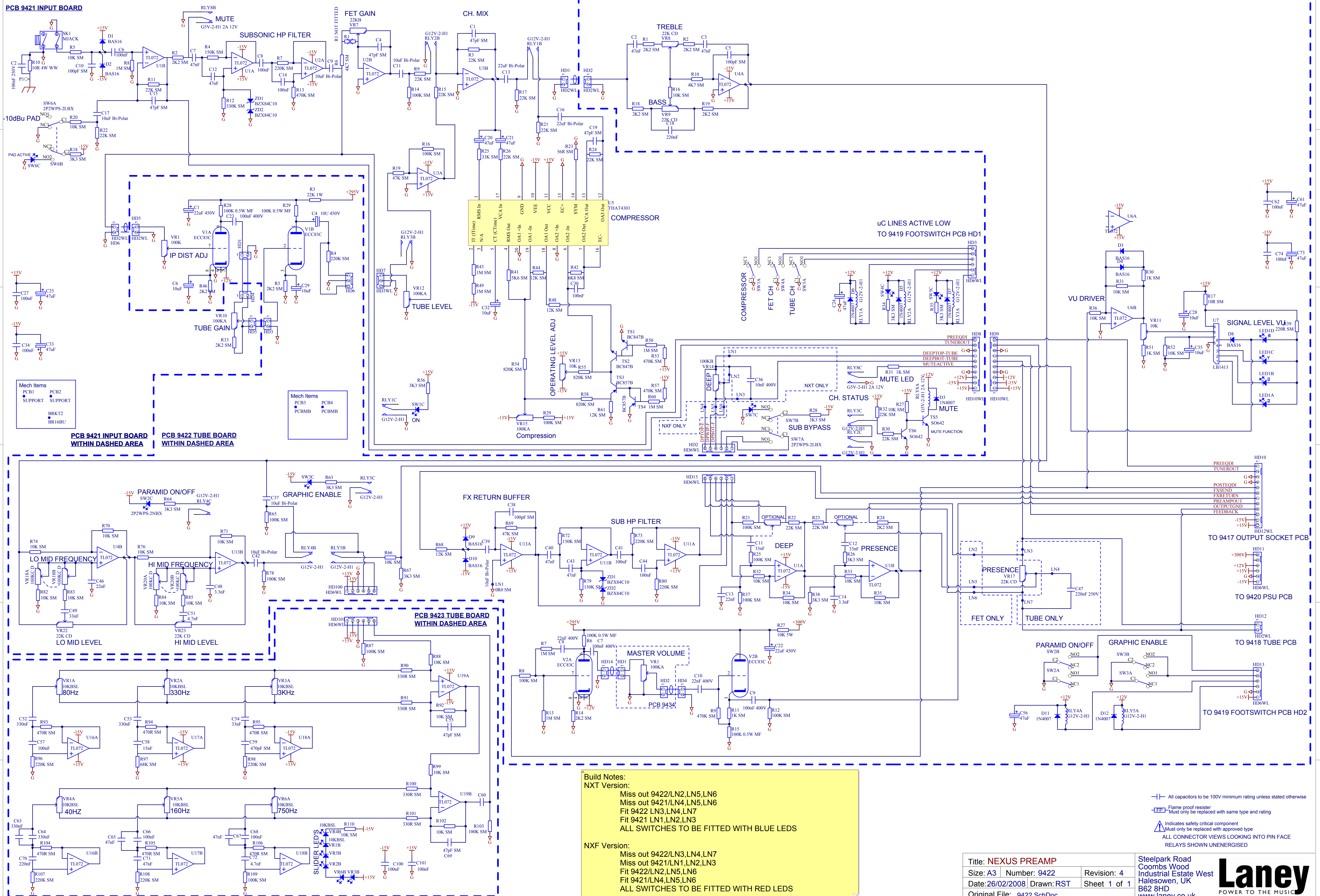
Build Notes:
NXT Version:
 Miss out 9422/LN2, LN5, LN6
 Miss out 9421/LN4, LN5, LN6
 Fit 9422 LN3, LN4, LN7
 Fit 9421 LN1, LN2, LN3
 ALL SWITCHES TO BE FITTED WITH BLUE LEDES

NXF Version:
 Miss out 9422/LN3, LN4, LN7
 Miss out 9421/LN1, LN2, LN3
 Fit 9422/LN2, LN5, LN6
 Fit 9421/LN4, LN5, LN6
 ALL SWITCHES TO BE FITTED WITH RED LEDES

- All capacitors to be 100V minimum rating unless stated otherwise
- Flame proof resistor
Must only be replaced with same type and rating
- Indicates safety critical component
Must only be replaced with approved type
ALL CONNECTOR VIEWS LOOKING INTO PIN FACE
RELAYS SHOWN UNERGISED

Title: NXF/NXT Tube Preamp		Steelpark Road Coombs Wood Industrial Estate West Halesowen, UK B62 8HD www.laney.co.uk	
Size: A3	Number: 9422	Revision: 3	
Date: 15/06/2007	Drawn: R.S.T	Sheet 1 of 1	
Original File: 9422.SchDoc			





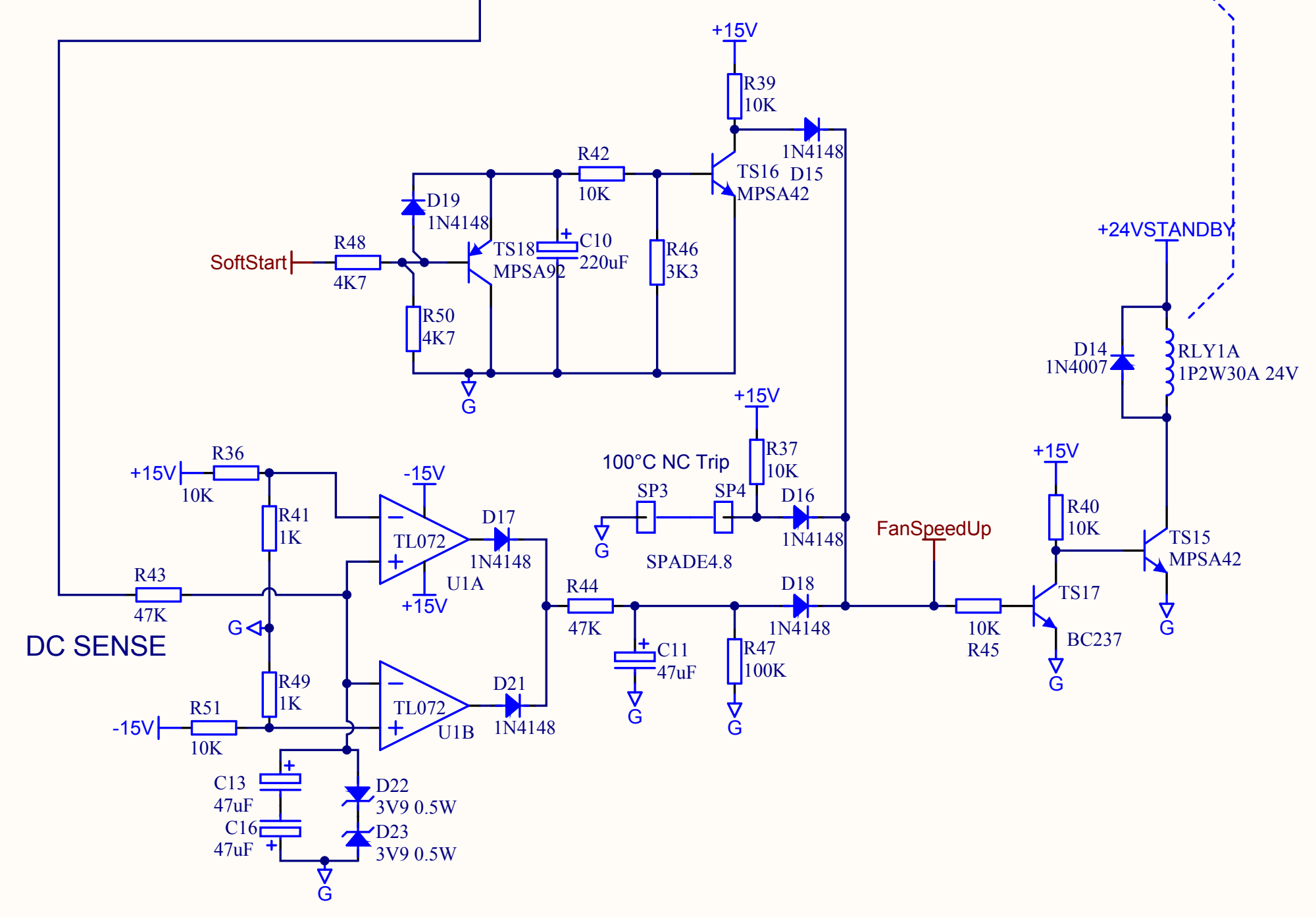
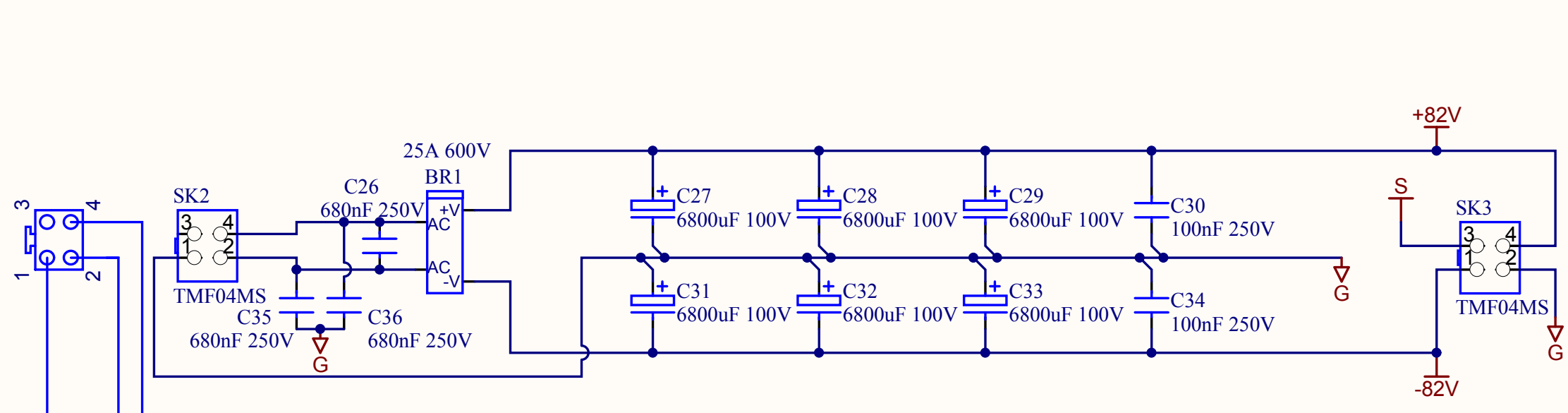
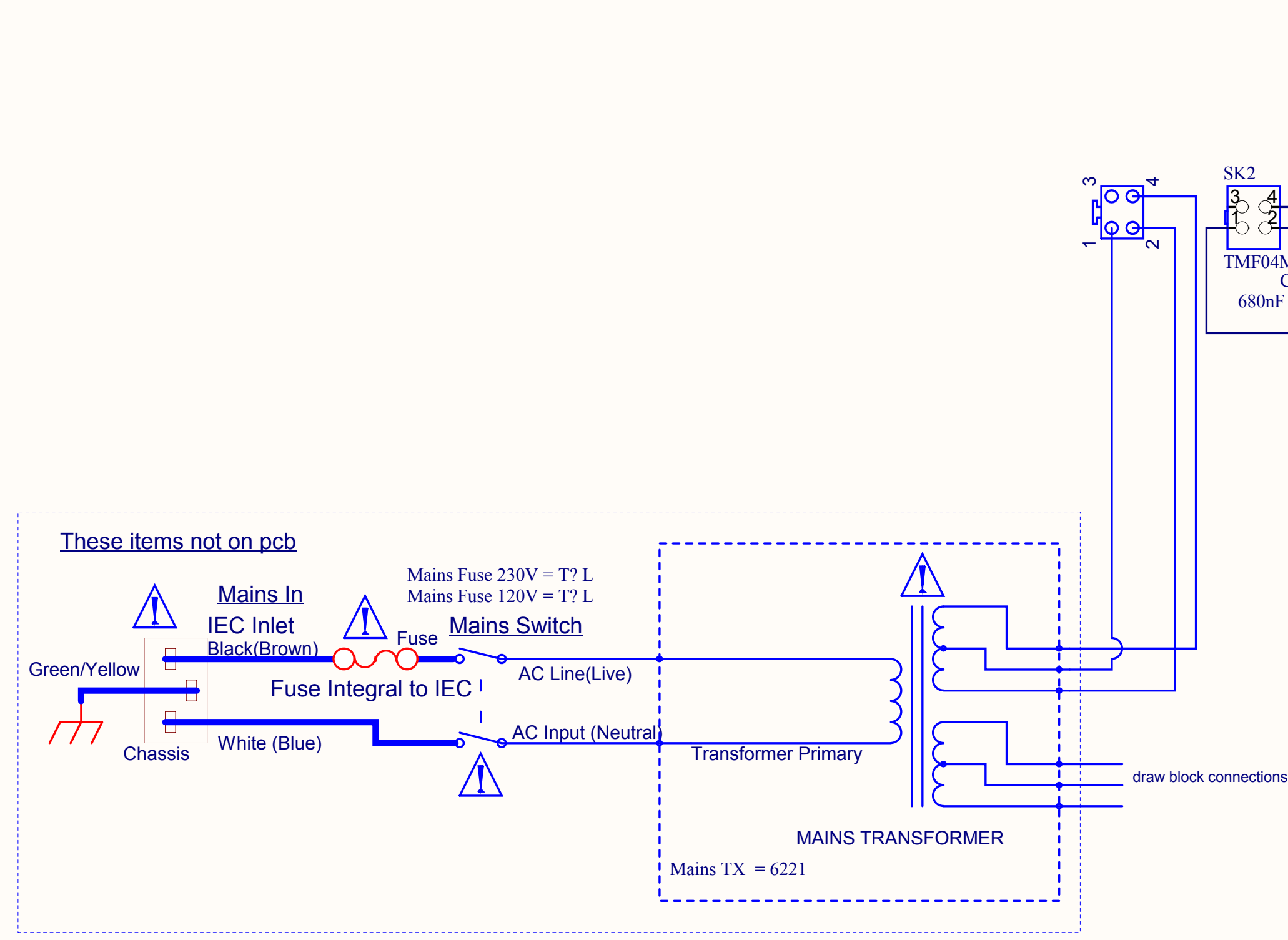
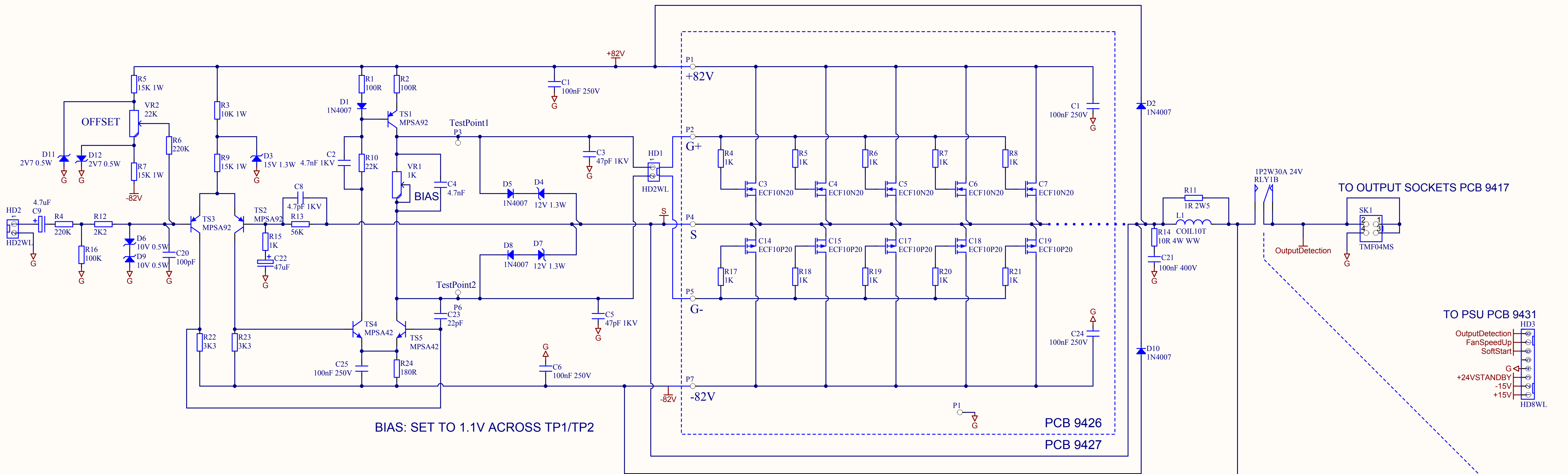
Build Notes:
NXT Version:
 Miss out 9422/LN2, LN5, LN6
 Miss out 9421/LN4, LN5, LN6
 Fit 9422 LN3, LN4, LN7
 Fit 9421 LN1, LN2, LN3
 ALL SWITCHES TO BE FITTED WITH BLUE LEDS

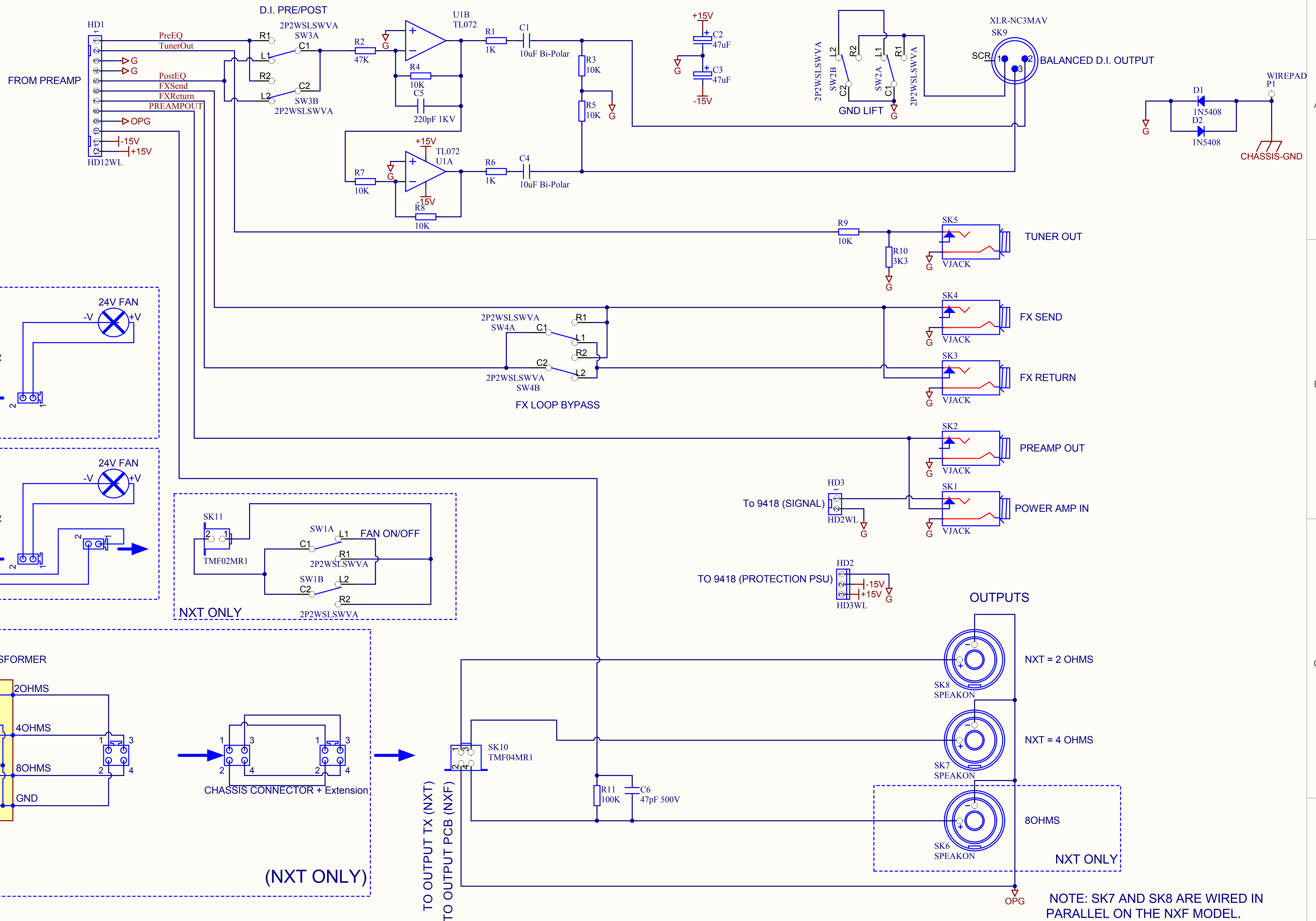
NXF Version:
 Miss out 9422/LN3, LN4, LN7
 Miss out 9421/LN1, LN2, LN3
 Fit 9422/LN2, LN5, LN6
 Fit 9421/LN4, LN5, LN6
 ALL SWITCHES TO BE FITTED WITH RED LEDS

- Capacitor symbol: All capacitors to be 100V minimum rating unless stated otherwise
- Resistor symbol: Flame proof resistor. Must only be replaced with same type and rating
- Triangle symbol: Indicates safety critical component. Must only be replaced with approved type
- Connector symbol: ALL CONNECTOR VIEWS LOOKING INTO PIN FACE
- Relay symbol: RELAYS SHOWN UNENERGISED

Title: NEXUS PREAMP		Steelpark Road	
Size: A3	Number: 9422	Revision: 4	Coombs Wood
Date: 26/02/2008	Drawn: RST	Sheet 1 of 1	Halesowen, UK
Original File: 9422.SchDoc			B62 8HD
			www.laney.co.uk







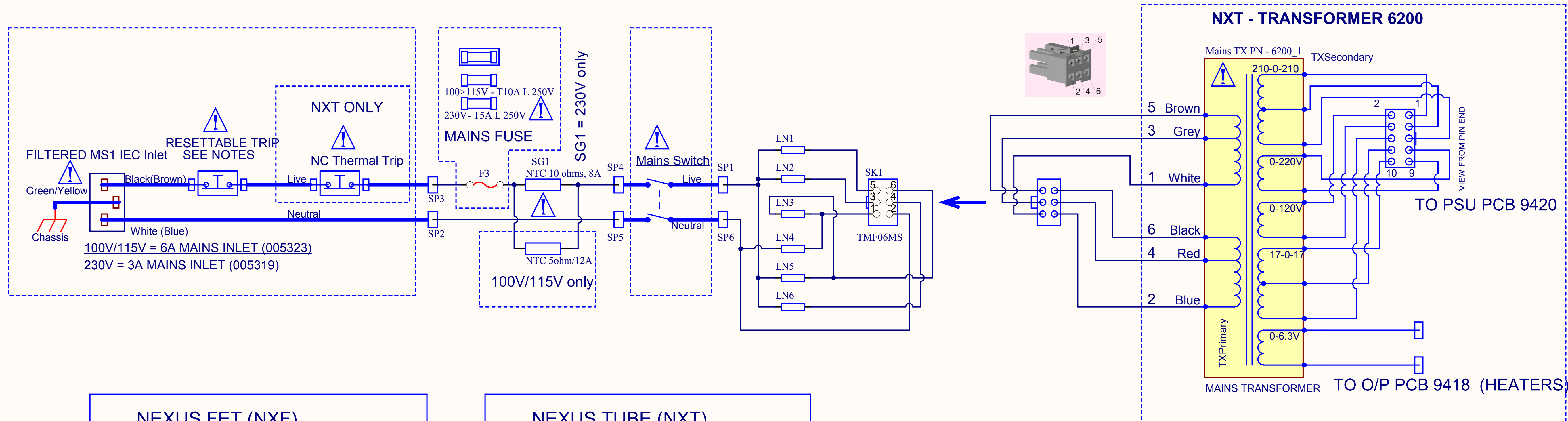
- All capacitors to be 100V minimum rating unless stated otherwise
- Flame proof resistor
Must only be replaced with same type and rating
- Indicates safety critical component
Must only be replaced with approved type

Title: NXF/NXT Output Socket PCB		
Size: A3	Number: 9417	Revision: 4
Date: 20/02/2008	Time: 11:59:42	Sheet 1 of 1
Original File: 9417.SchDoc		

Steelpark Road
 Coombs Wood
 Industrial Estate West
 Halesowen
 UK
www.laney.co.uk



NOTE: SK7 AND SK8 ARE WIRED IN PARALLEL ON THE NXF MODEL. YOU MAY DRIVE THE AMP TO A MINIMUM OF 4 OHMS TOTAL IMPEDANCE ON THE NXF.



NEXUS FET (NXF)
VOLTAGE SELECTION

~230V FIT LN1, LN3 only
 MAINS FUSE = T5A L (005531)
 RESETTABLE TRIP = 5A (007426)
 MAINS INLET = 3A (005319)
 SG1 = 10 OHM 8A (003031)

~115V FIT LN1, LN4, LN5 only
 MAINS FUSE = T10A L (540023)
 RESETTABLE TRIP = 10A (005325)
 MAINS INLET = 6A (005323)
 SG1 = 5 OHM 12A (003032)

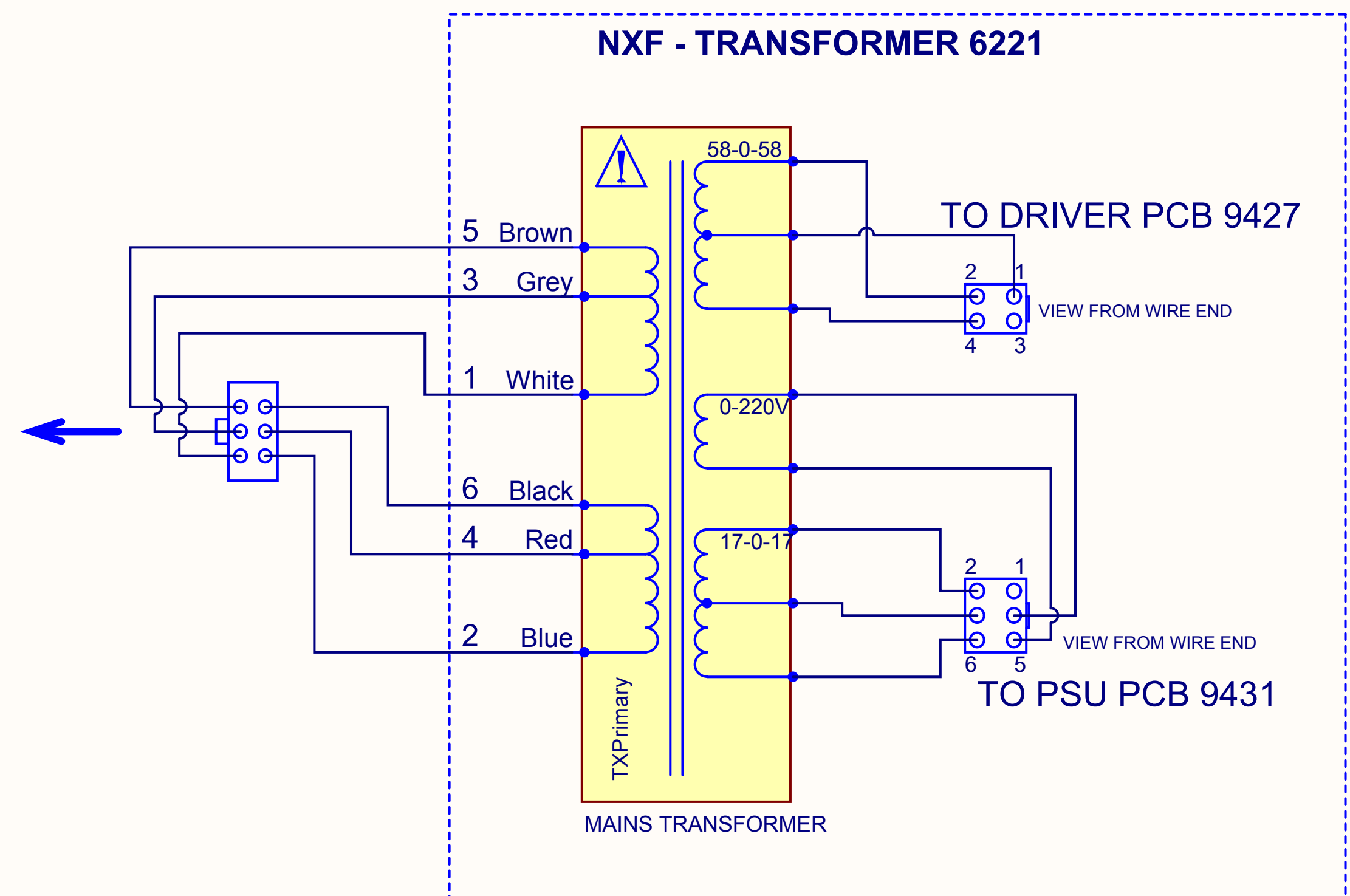
~100V FIT LN2, LN4, LN6 only
 MAINS FUSE = T10A L (540023)
 RESETTABLE TRIP = 10A (005325)
 MAINS INLET = 6A (005323)
 SG1 = 5 OHM 12A (003032)

NEXUS TUBE (NXT)
VOLTAGE SELECTION

~230V FIT LN1, LN3 only
 MAINS FUSE = T5A L (005531)
 RESETTABLE TRIP = 5A (007426)
 MAINS INLET = 3A (005319)
 SG1 = 10 OHM 8A (003031)

~115V FIT LN1, LN4, LN5 only
 MAINS FUSE = T10A L (540023)
 RESETTABLE TRIP = 10A (005325)
 MAINS INLET = 6A (005323)
 SG1 = 5 OHM 12A (003032)

~100V FIT LN2, LN4, LN6 only
 MAINS FUSE = T10A L (540023)
 RESETTABLE TRIP = 10A (005325)
 MAINS INLET = 6A (005323)
 SG1 = 5 OHM 12A (003032)



ITEMS WITHIN DASHED AREA ARE NOT ON PCB OR ARE OPTIONS

⚡ All capacitors to be 100V minimum rating unless stated otherwise

⚡ Flame proof resistor
 Must only be replaced with same type and rating

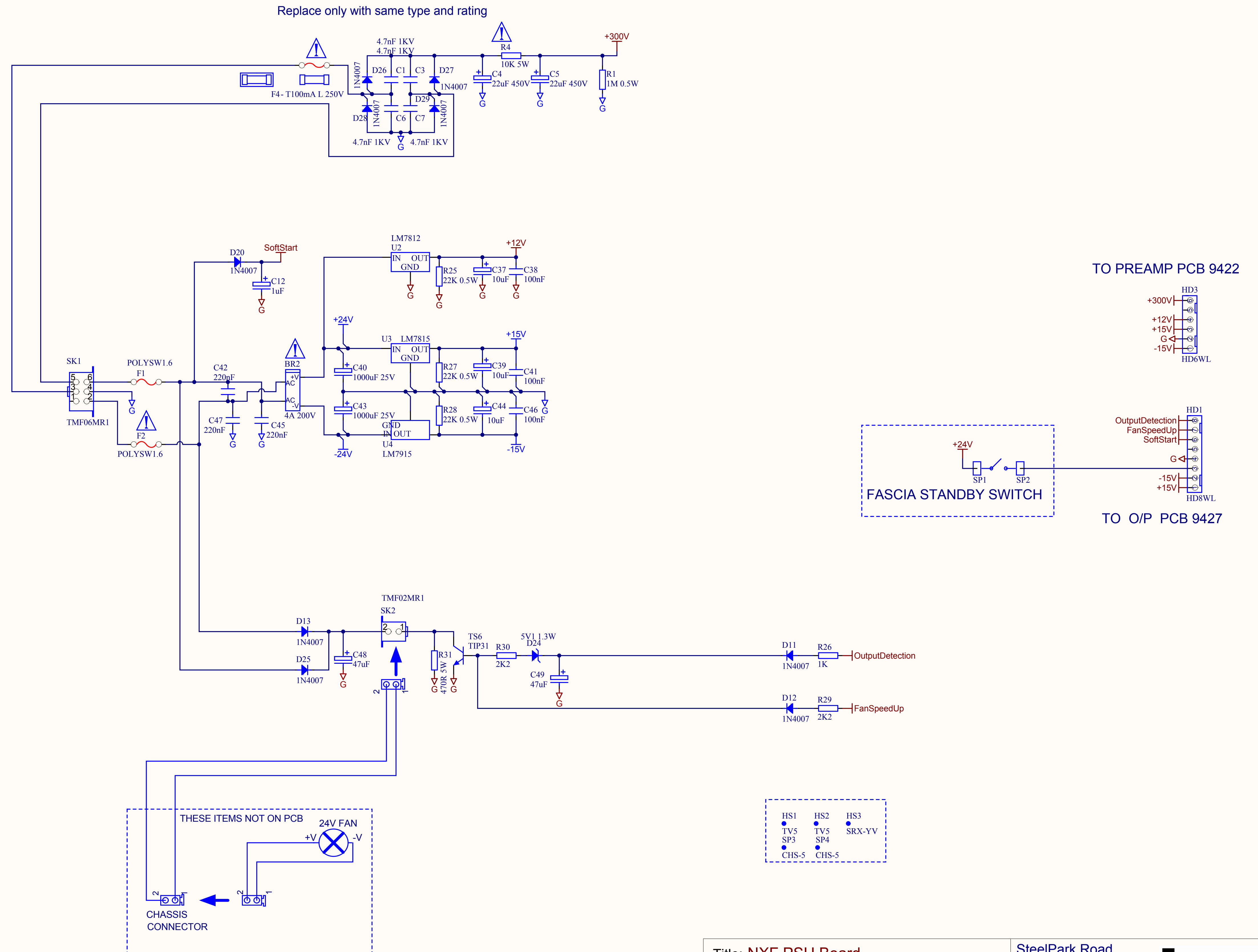
⚡ Indicates safety critical component
 Must only be replaced with approved type

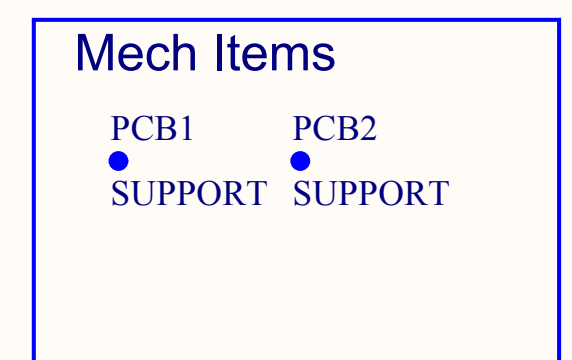
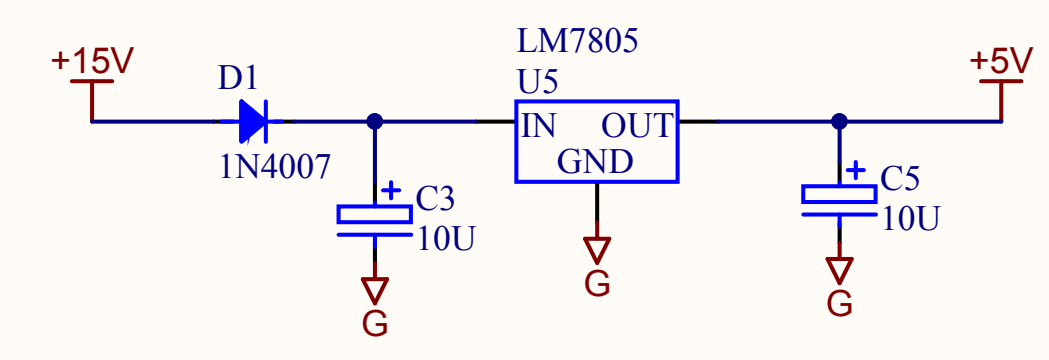
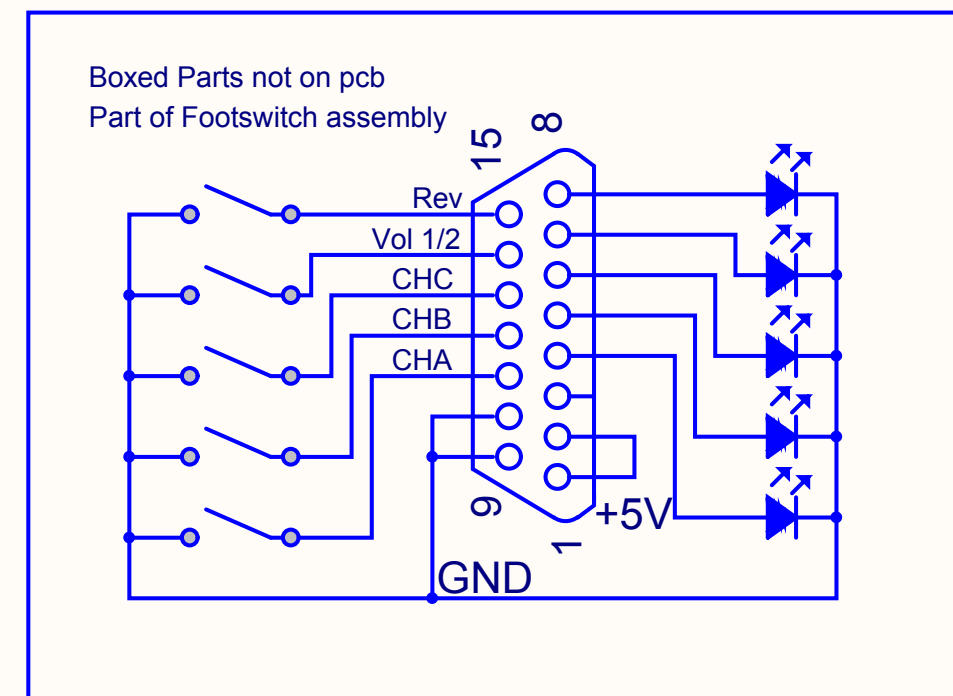
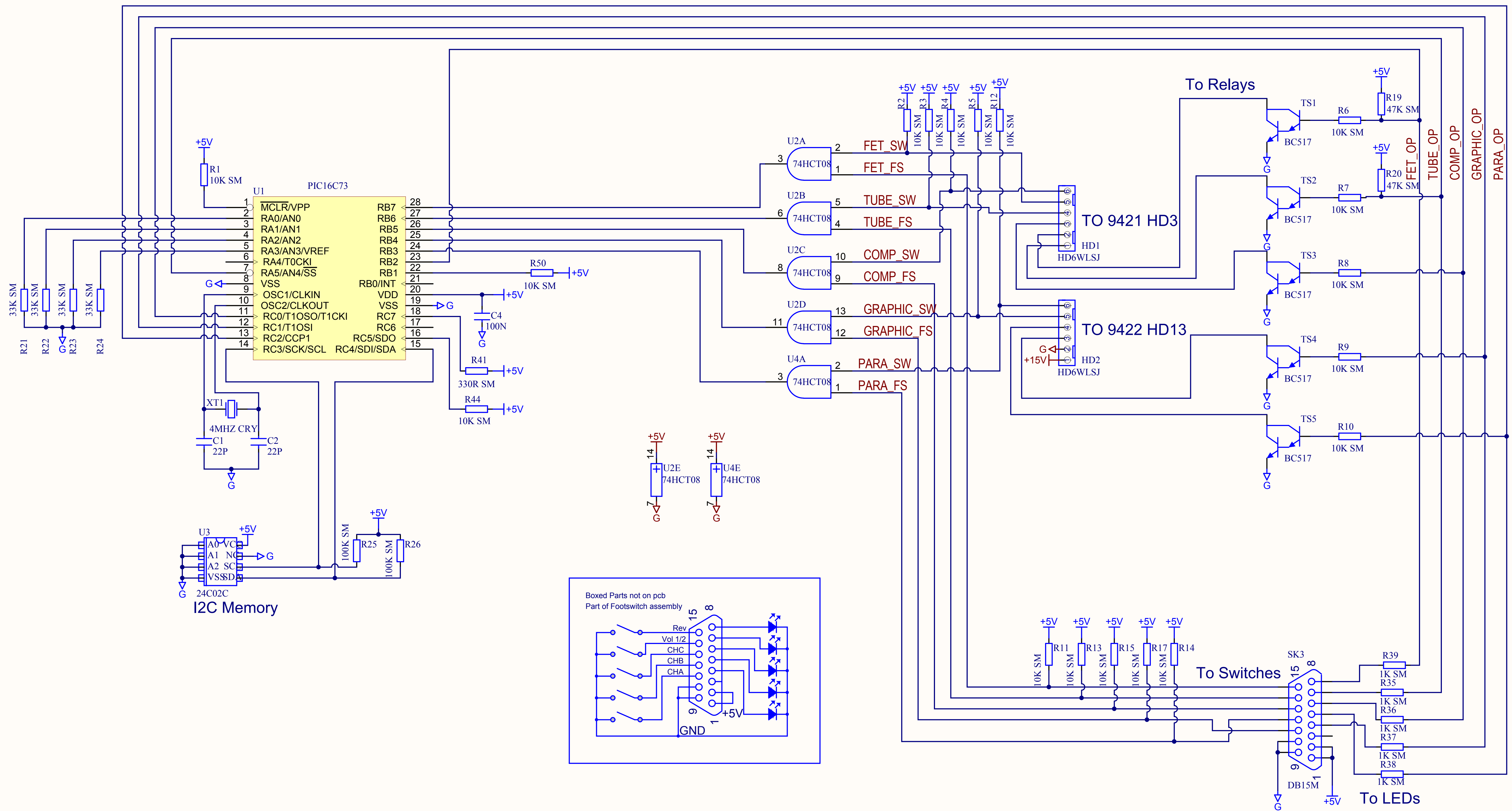
ALL CONNECTOR VIEWS LOOKING INTO PIN FACE

Title: NXF/NXT MAINS SELECTION PCB
 Size: A3 Number: 9433 Revision: 4
 Date: 26/02/2008 Time: 17:17:35 Sheet 1 of 1
 Original File: 9433.SchDoc

Steelpark Road
 Coombs Wood
 Industrial Estate West
 Halesowen
 UK
 www.laney.co.uk

Laney
 POWER TO THE MUSIC





Flame proof resistor
 Must only be replaced with same type and rating
 Indicates safety critical component
 Must only be replaced with approved type

Title: Nexus Footswitch Controller		
Size: A3	Number: 9419	Revision: 3
Date: 20/02/2008	Time: 15:20:05	Sheet 1 of 1
Original File: 9419.Sch		

Steelpark Road
 Coombs Wood
 Industrial Estate West
 Halesowen
 UK
www.laney.co.uk



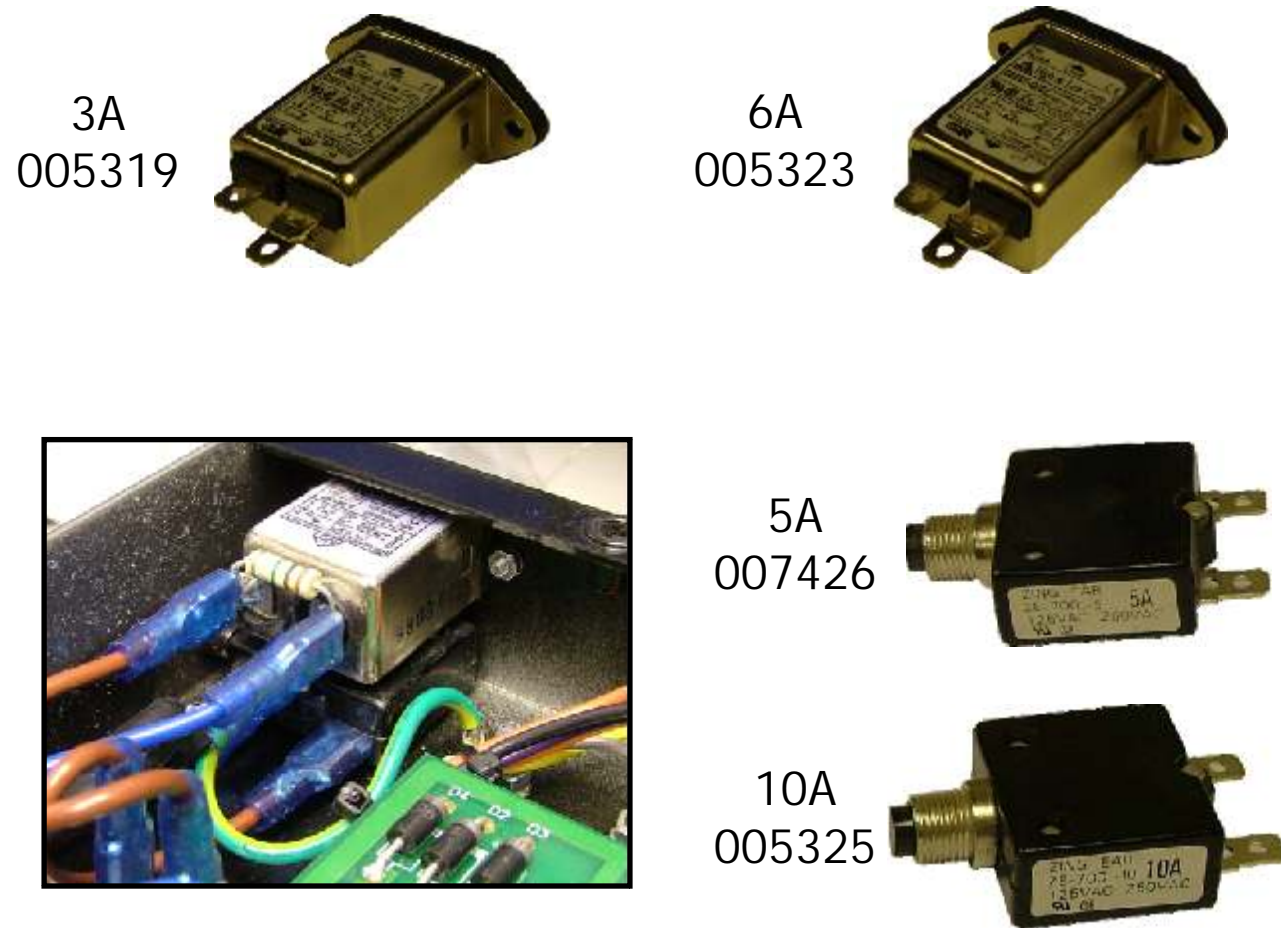
Nexus Bass Amplifiers can be adapted to run from different voltages by making changes in three places.

1. The Power Switch
2. Mains Inlet & Resettable Trip
3. The Voltage Selection PCB

2. Mains Inlet & Resettable Trip;

The mains inlet & resettable trips must be changed as set out in the table below for the various voltages.

The items are located at the rear of the amplifier as in the photo. The Mains Inlet is secured by 2 x M3 screws, nuts & washers, & the resettable trip is secured by 1 x hex nut.



	NXT		NXF	
	100-115V	230V	100-115V	230V
EMI Filtered Mains Inlet	6A - 005323	3A - 005319	6A - 005323	3A - 005319
Resettable Trip	10A - 005325	5A - 007426	10A - 005325	5A - 007426

1. Power switch;

In general appearance the 2 switches look the same, but use 007305 for 230V & 007435 for 100 -115V range.

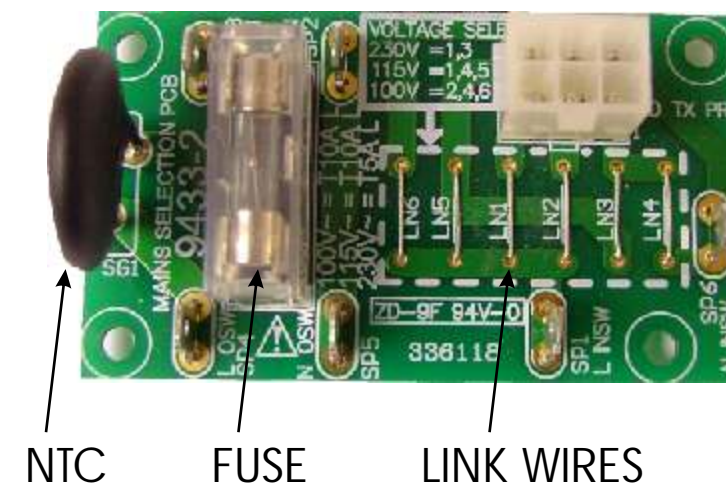


007305

007435

3. Voltage Selection PCB;

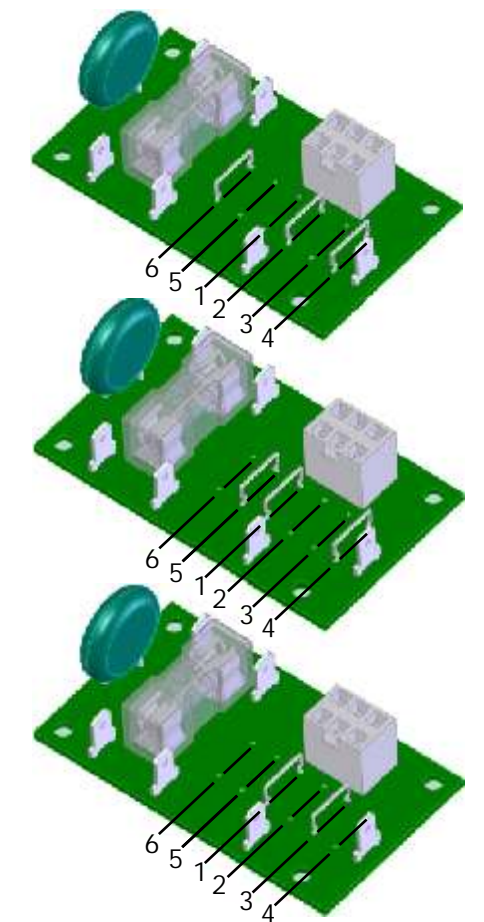
The Voltage Selection PCB is located in the front of the chassis by the power & standby switch & is secured by 4 self tapping screws. The fuse, NTC & link wires, on the PCB must be configured for the required voltage as set out in the table.



100V

115V

230V



	LINK WIRES						FUSE	NTC
	1	2	3	4	5	6		
100V		*		*		*	T10A L 540023	SURGE GUARD 003032 12A
115V	*			*	*		T10A L 540023	SURGE GUARD 003032 12A
230V	*		*				T5A L 005531	SURGE GUARD 003031 8A

Model No. NXF (Nexus Fet)					
SPARES ITEM		DESCRIPTION	PART No.		
Mains Transformer	100-230V	5600-6221 NXF Mains Transformer	006221		
Switch	Standby	DPST Black Rocker Switch	530027		
	Power 230V	DPST Double Width Red Illuminated Rocker Switch	007305		
	Power 100/120V	DPST Double Width Red Illuminated Rocker Switch	007435		
Resettable Trip	100-120V	Resettable Trip 10A	005325		
	230V	Resettable Trip 5A	007426		
	All	100 Degree Thermal Trip	007402		
PCB's	9417	NXF Output PCB Complete (2 Socket)		007396	
		Sockets	Tuner out, Fx	6.3 Vertical Insulated Jack Skt	007374
			Send/Return, Power Amp Out, Preamp In		
			D.I. Out	Male XLR Socket PCB Mount (NON-Chassis Gnd Type)	007375
	Switch	Loudspeakers	Speakon Combi Connector	007376	
		Gnd Lift, Pre-Eq, Bypass, Fan	Vertical Slide Switch	007373	
	9421	NXF Input Preamp (Red LED) PCB Complete		007328	
		Pots	Fet Gain	22K Lin 6mm Spline	004061
			Tube Gain	100K Log 6mm Spline	004062
			Tube Level	100K Log 6mm Spline	004062
			Compressor	100K Lin 6mm Spline	004071
			Deep	100K Lin 6mm Spline	004071
				Pot Bracket	005127
		Switch	Sub	2P2W Illuminated Latching Push Switch (Red)	007381
			Pad		
		Compressor On		2P2W Illuminated NON-Latching Push Switch	007382
			Tube On, Fet On	(Red)	
		Sockets	Input	6.3 Mono Jack Skt standoff type	005097
	Safety		Resistor 10R 4W	007395	
	9422	NXT Tube Preamp (Red LED) PCB Complete		007326	
		Pots	Bass	22K Lin Centre Detent 6mm Spline	004099
				Pot Bracket	005127
			Treble	22K Lin Centre Detent 6mm Spline	004099
			Lo-Mid Freq	100K Antilog 6mm Spline Dual	004075
			Lo-Mid Level	22K Lin Centre Detent 6mm Spline	004099
			Hi-Mid Freq	100K Antilog 6mm Spline Dual	004075
			Hi-Mid Level	22K Lin Centre Detent 6mm Spline	004099
			Presence	22K Lin Centre Detent 6mm Spline	004099
				Pot Bracket	005127
		Switch	Graphic On	2P2W Illuminated NON-Latching Push Switch	007382
			Paramid On	(Red)	
		Safety		Resistor 22K 1W	001401
				Resistor 10K 5W	001714
			Capacitor 22uF 450V	007204	
9423	NXF Graphic EQ (Red LED) PCB Complete		007329		
	Slider	10K Illuminated Slider (Red LED)	007399		
9426	NXF Fet Mounting PCB Complete		007332		
	Safety	Exicon10N20 Lateral Mosfet	007335		
		Exicon10P20 Lateral Mosfet	007336		
		K177 TO3 Koolpad	007388		
9433	NXF/NXT Voltage selction PCB Complete		007302		
	Safety	100-120V	T10A fuse 20mm	540023	
		230V	T5A fuse 20mm	005531	
		100-120V	Surge Guard SG26 (Rhopoint)	003032	
		230V	Surge Guard SG40 (Rhopoint)	003031	

PCB's	9431	Safety	NXF PSU PCB Complete	007330
			1.5A 200V Bridge	003017
			Resistor 10K 5W	001714
			Resistor 470R 5W	001700
			Capacitor 1000uF 25V	002009
			1.6A Polyswitch MF-R160-0-99	007403
	9427	Safety	NXF Fet Driver PCB Complete	007333
			25A 600V Glass Passivated Bridge Rectifier	007400
			Capacitor 6800uF 100V	007404
			Resistor 10R 4W	007395
9419		NXF/NXT footswitch Microcontroller PCB Complete	007315	
9434		NXF/NXT Master Volume Support PCB Complete	007303	
Badge		Diecast Laney Badge (116mm)	007188	
		Badge Support Brkt	007296	
Control Knob	Small	14mm Knurled Knob with Pointer	007309-F	
	Large	28mm Knurled Knob with Pointer	007310-F	
	Push Switch	Cap for Illuminated Push Switch	007311-F	
Mains Lead		Country Dependant		
Mains Inlet Socket	100-120V	EMI Filtered Mains Inlet 6A	005323	
	230V	EMI Filtered Mains Inlet 3A	005319	
Foot Switch		FS7 Footswitch	007321	
		Footswitch Lead 15 Pin "D" Type	005088	
Cabinet	Cabinet	Covered Carcass only (No Fittings)	007283	
	Grill	Top Grill	007284	
		Rear Grill	007285	
	Feet	25mm high 38mm round rubber feet	007250	
	Handle	Bar Handle - Steel/Plastic - Top 90°	007262	
Corner	Black non-hooked metal type	007035		
Manual		NXF User Manual	007338	
Tubes	Tube	ECC83 Std	005548	
		ECC83 Hi Grade	005570	
	Retainer	ECC83 Small Clip	005027	
Fan		NXF/NXT 24V DC Fan With TMF02FC Connector	007343	
		80mm Chrome Finger Guard	005555	