

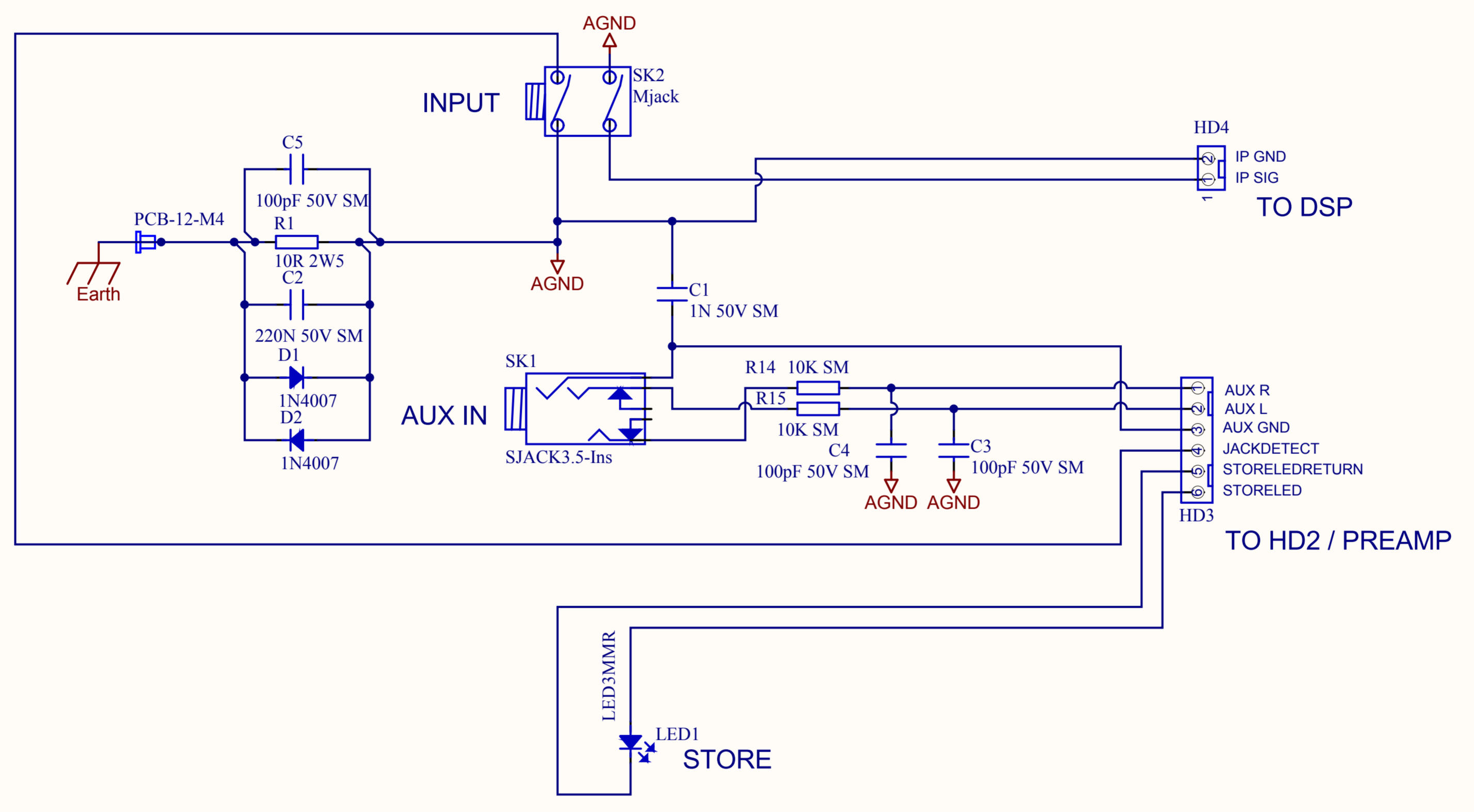
*P20*

*Service Information*

**Laney**

POWER TO THE MUSIC

[www.laney.co.uk](http://www.laney.co.uk)

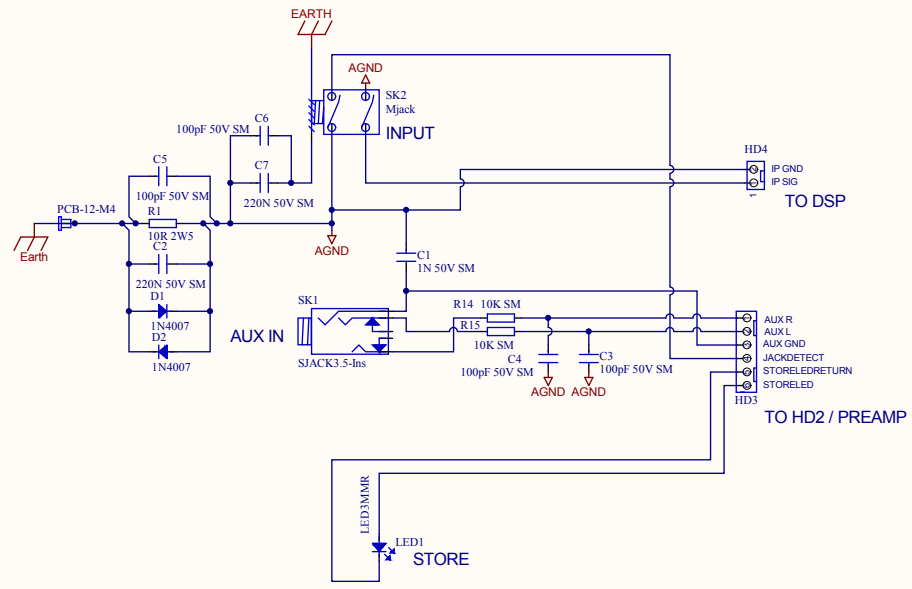


 Flame Proof Resistor. Must only be replaced with same type and rating.  
 Indicates safety critical component. Must only be replaced with approved type.

Title: PRISM Series Input PCB		
Size: A3	Number:	Revision: 2
Date: 29/01/2009	Time: 15:34:57	Sheet 1 of 1
Original File: 9474.SchDoc		

Steelpark Road  
 Coombs Wood  
 Industrial Estate West  
 Halesowen  
 UK  
[www.laney.co.uk](http://www.laney.co.uk)

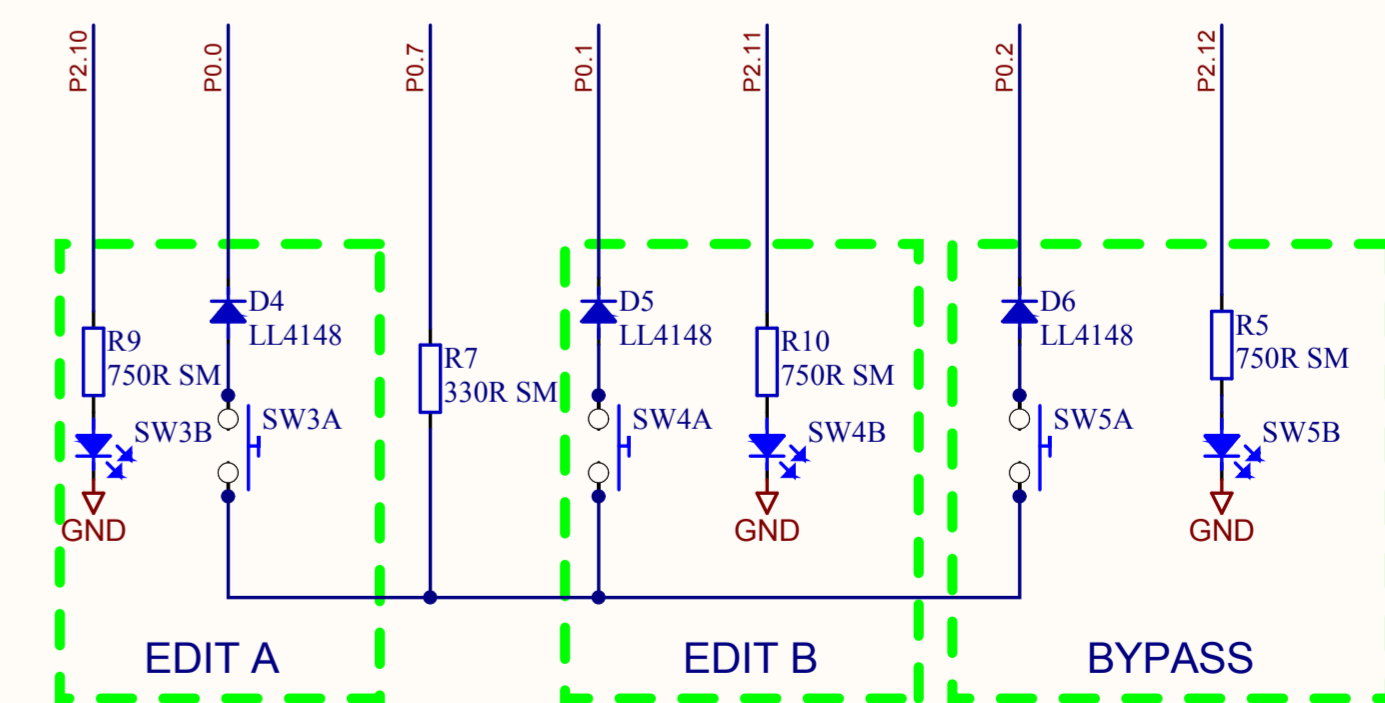
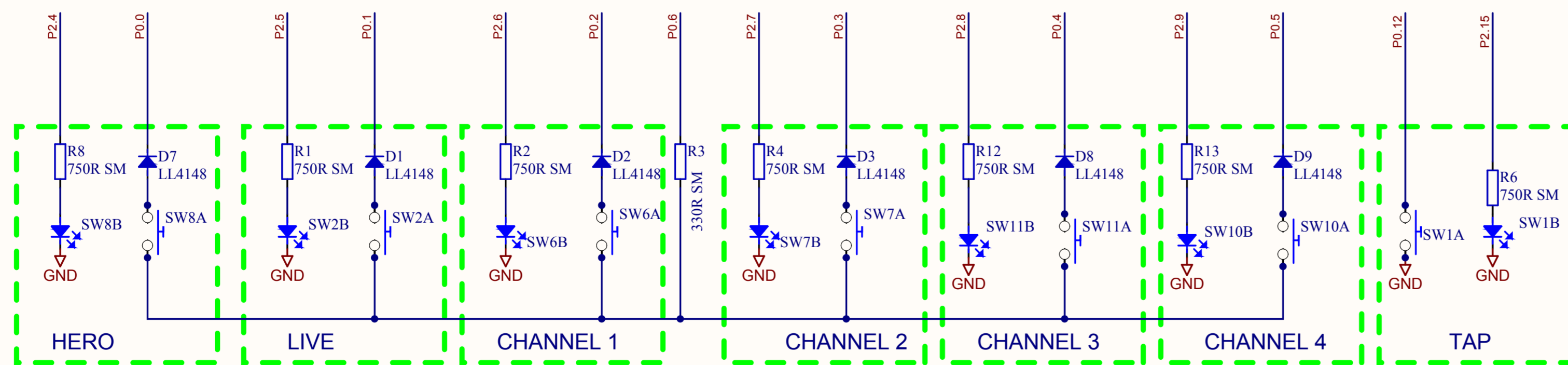
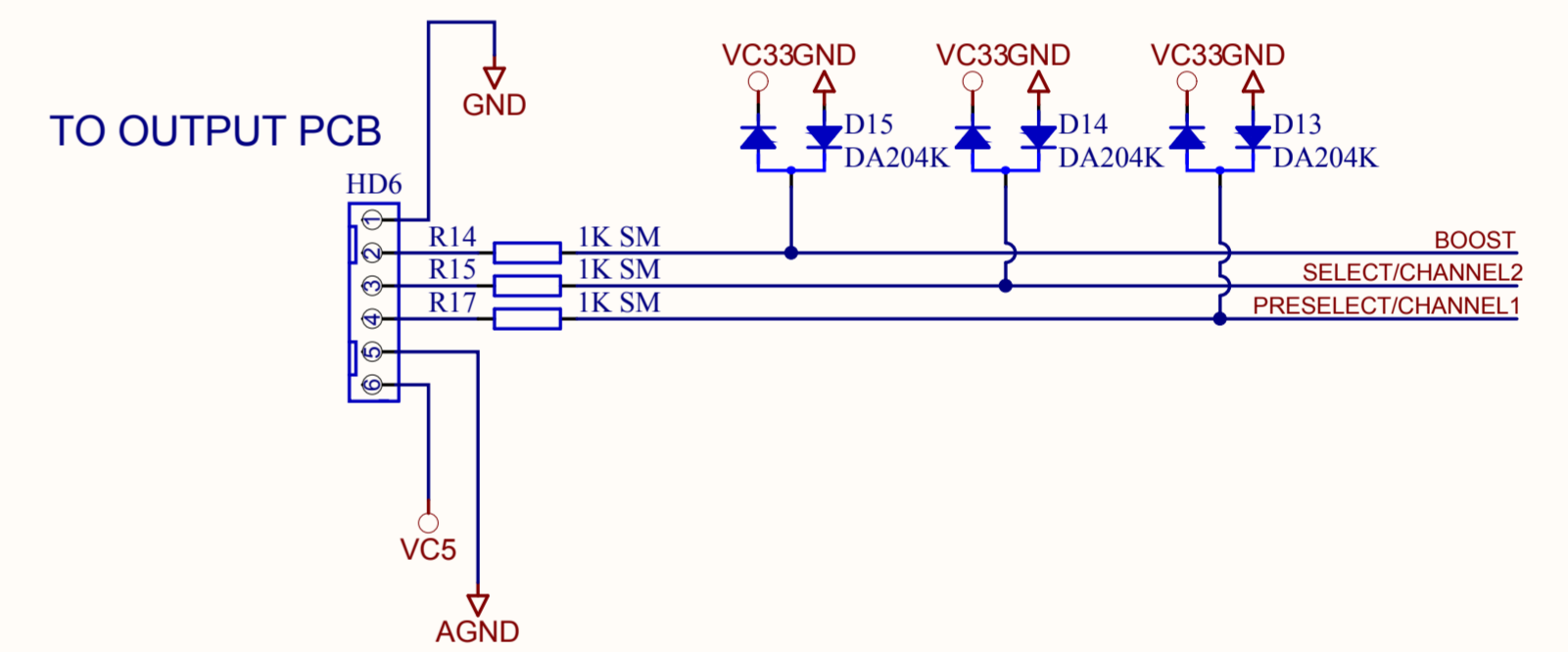
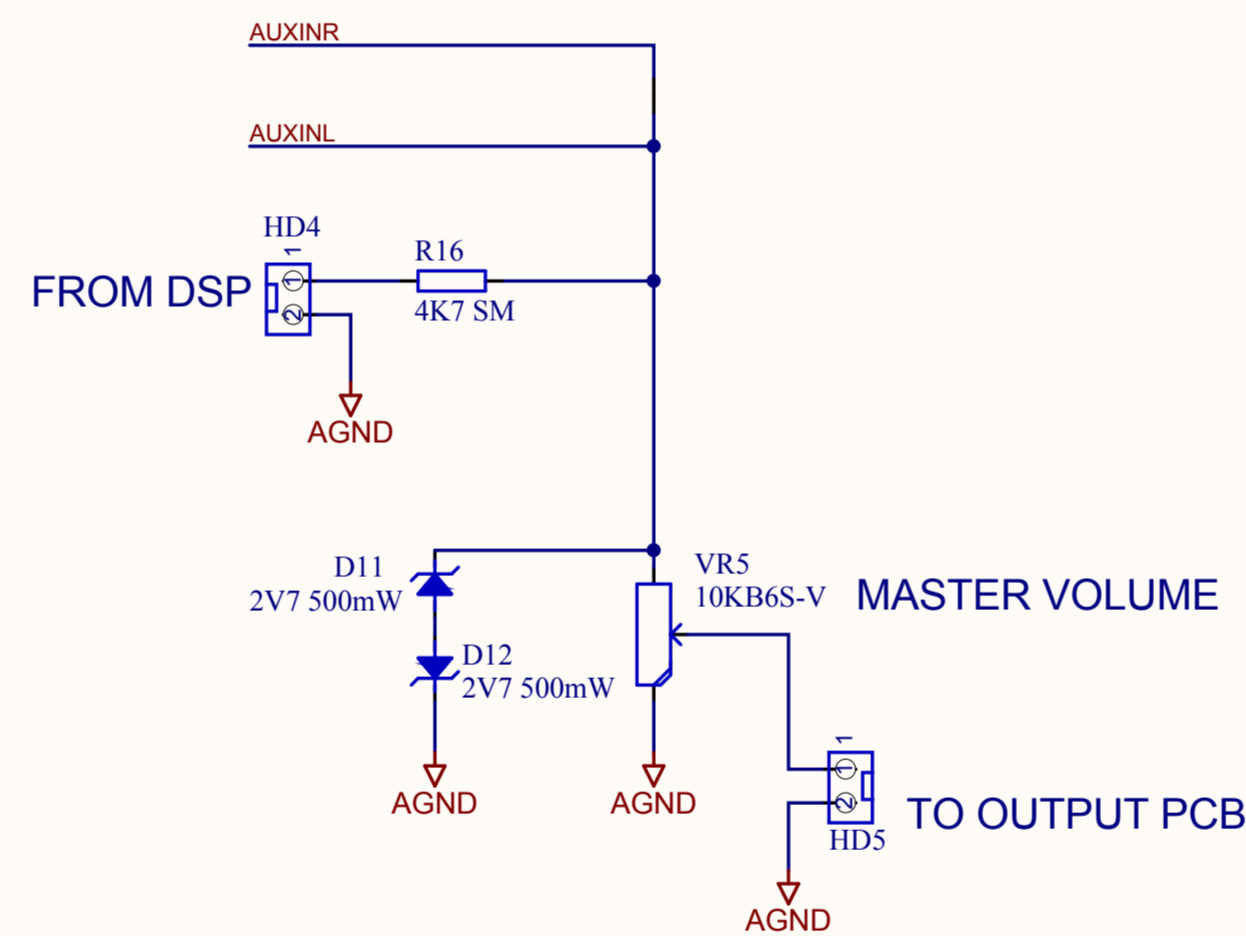
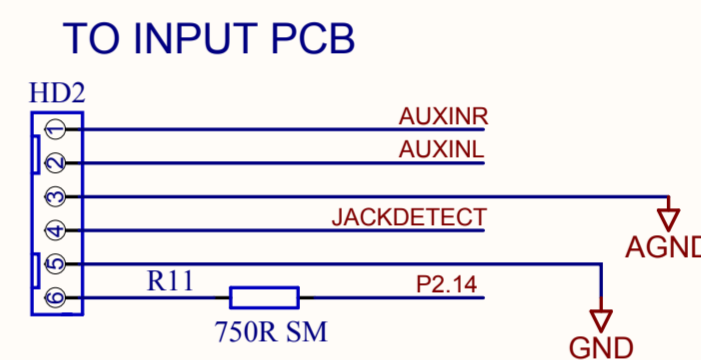
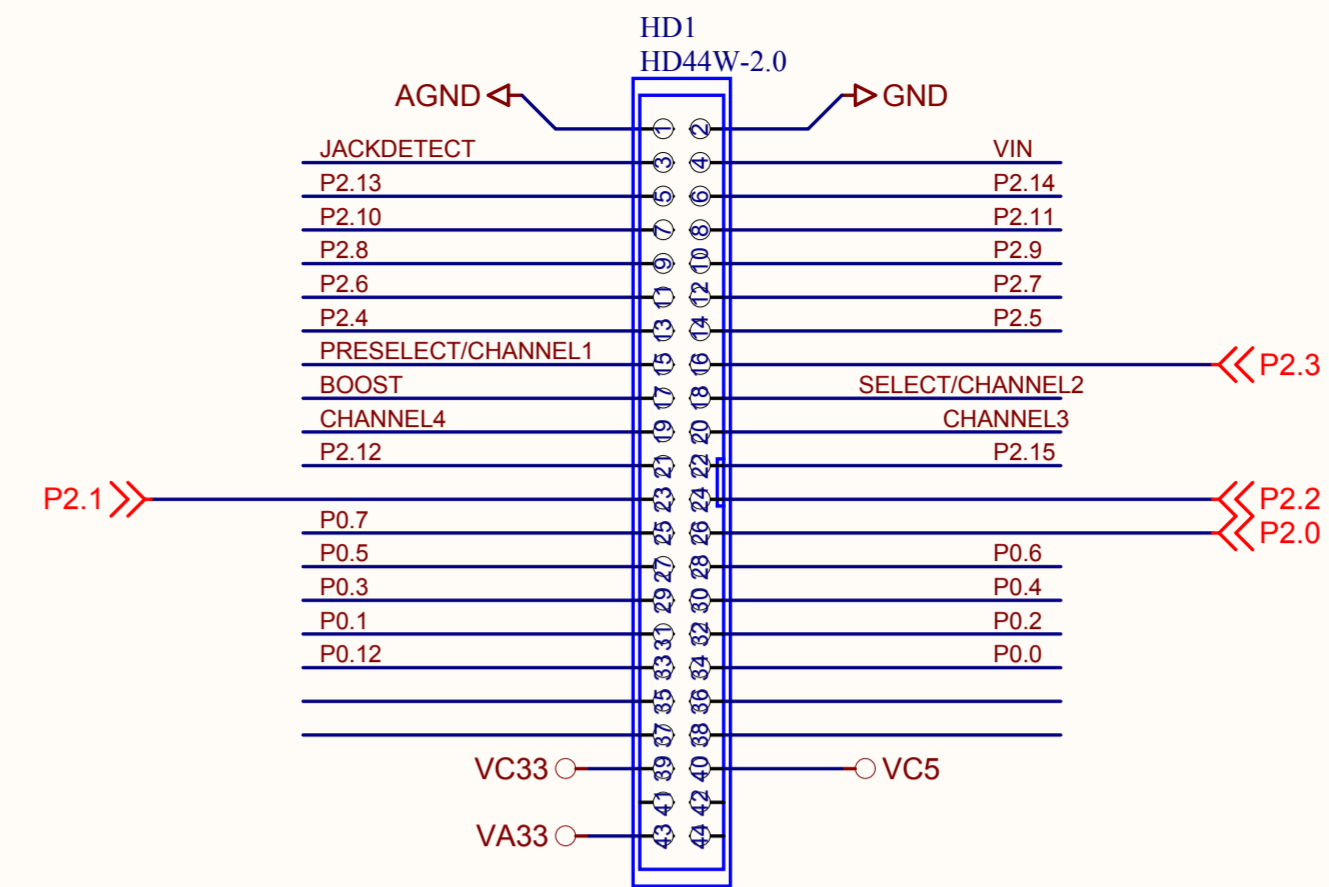
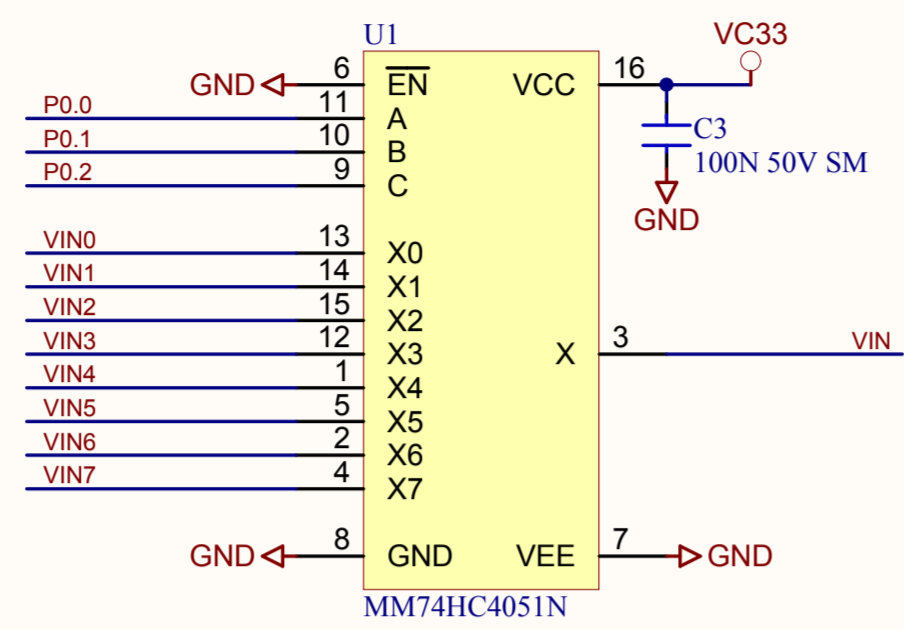
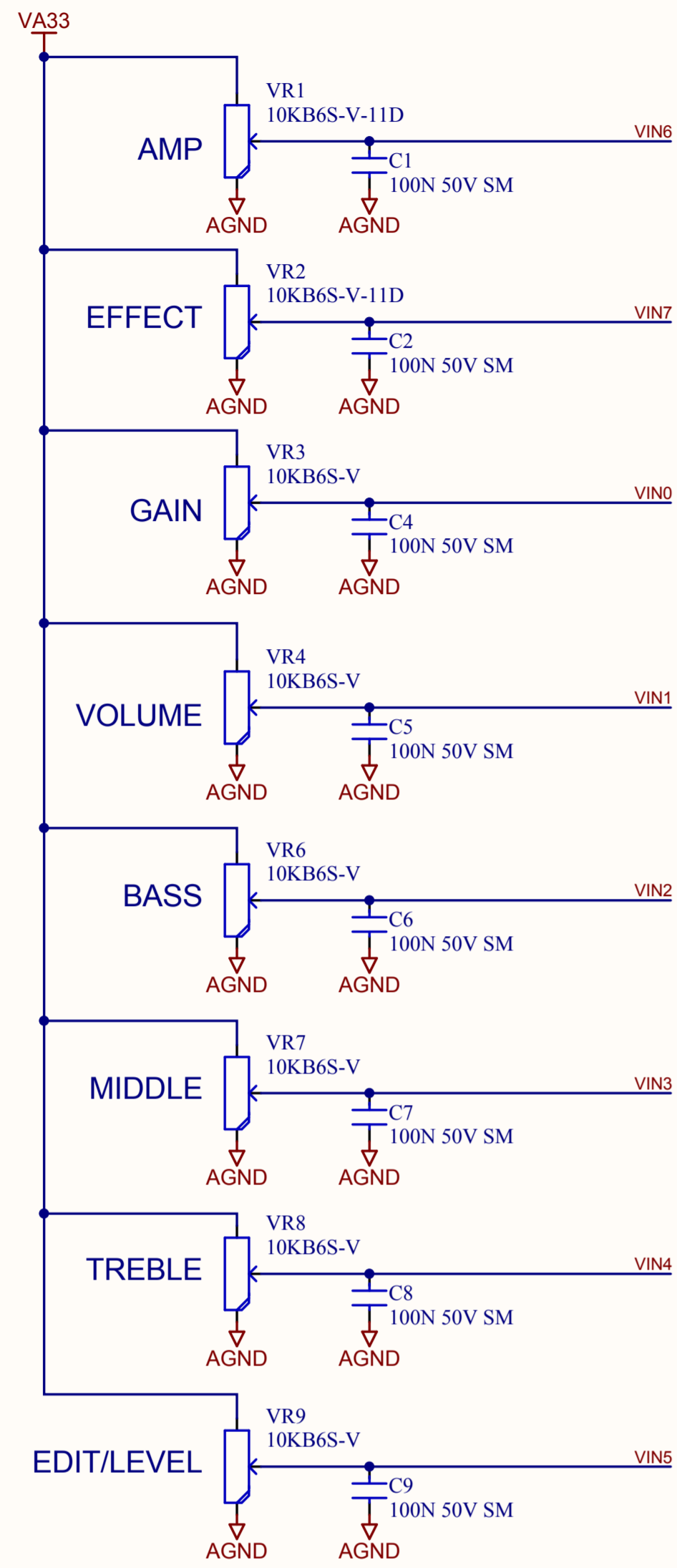


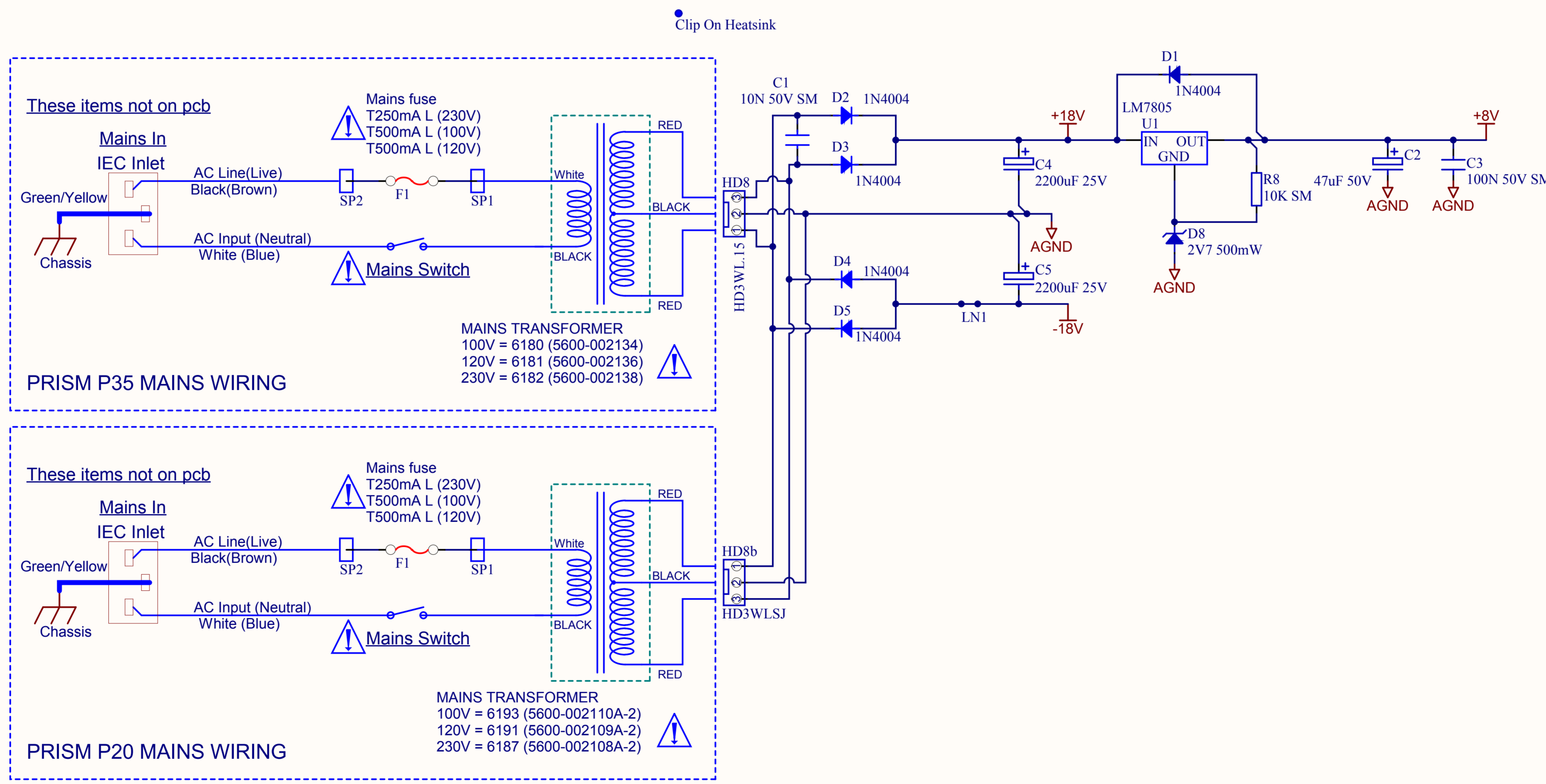
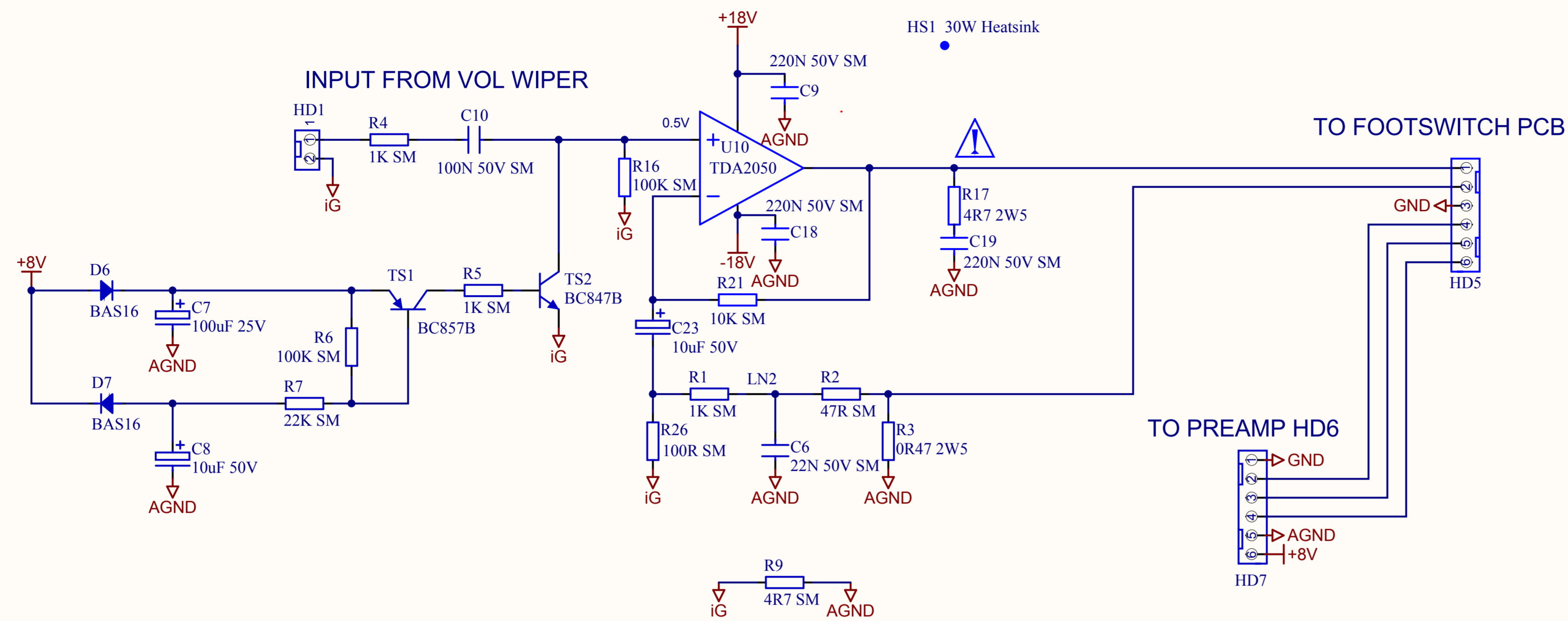




Issue 3: Mech changes only.  
 Issue 4: Added C6/C7/jack grounding ring.

Flame Proof Resistor. Must only be replaced with same type and rating.  
 Indicates safety critical component. Must only be replaced with approved type.

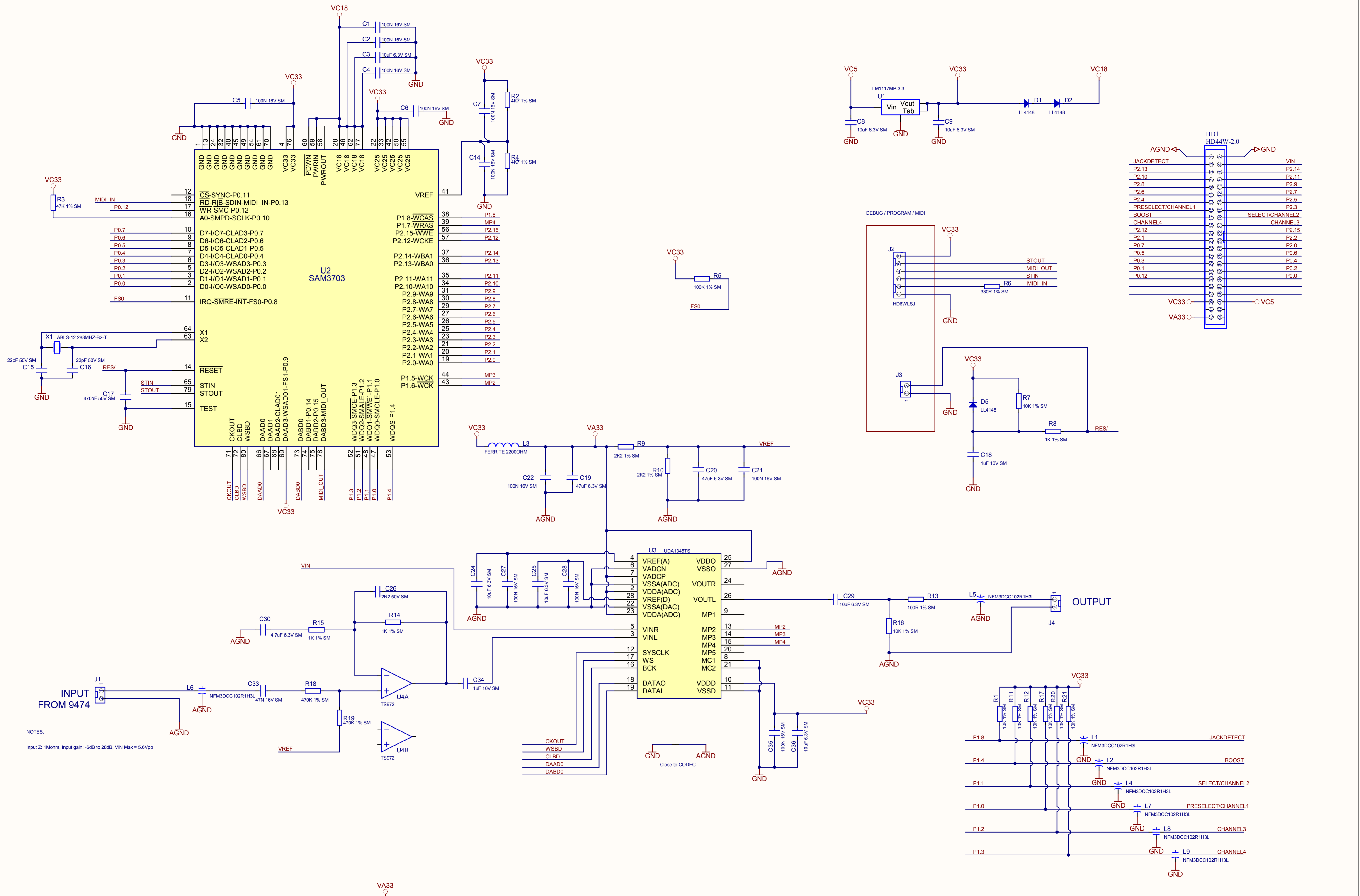
Title: PRISM Series Input PCB		Steelpark Road Coombs Wood Industrial Estate West Halesowen UK www.laney.co.uk	
Size: A3	Number:	Revision: 4	<b>Laney</b> POWER TO THE MUSIC
Date: 01/04/2010	Time: 13:00:02	Sheet 1 of 1	
Original File: 9474.SchDoc			





 Flame Proof Resistor. Must only be replaced with same type and rating.  
 Indicates safety critical component. Must only be replaced with approved type.

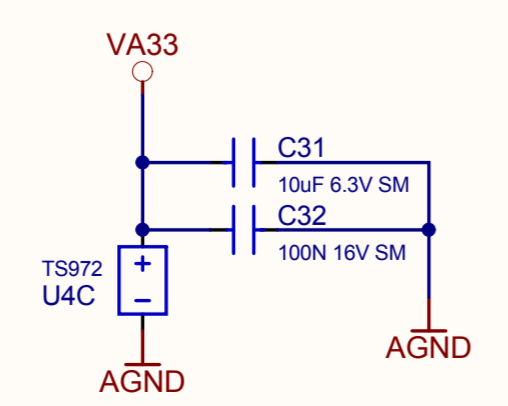
Title: P20/P35 OUTPUT PCB			Steelpark Road Coombs Wood Industrial Estate West Halesowen UK www.laney.co.uk	 POWER TO THE MUSIC
Size: A3	Number: 9473	Revision: 2		
Date: 29/01/2009	Time: 16:40:01	Sheet 1 of 1		
Original File: 9473.SchDoc				



NOTES:  
 Input Z: 1Mohm, Input gain: -6dB to 28dB, VIN Max = 5.6Vpp

**FP** Flame Proof Resistor.  
 Must only be replaced with same type and rating.

**!** Indicates safety critical component  
 Must only be replaced with approved type

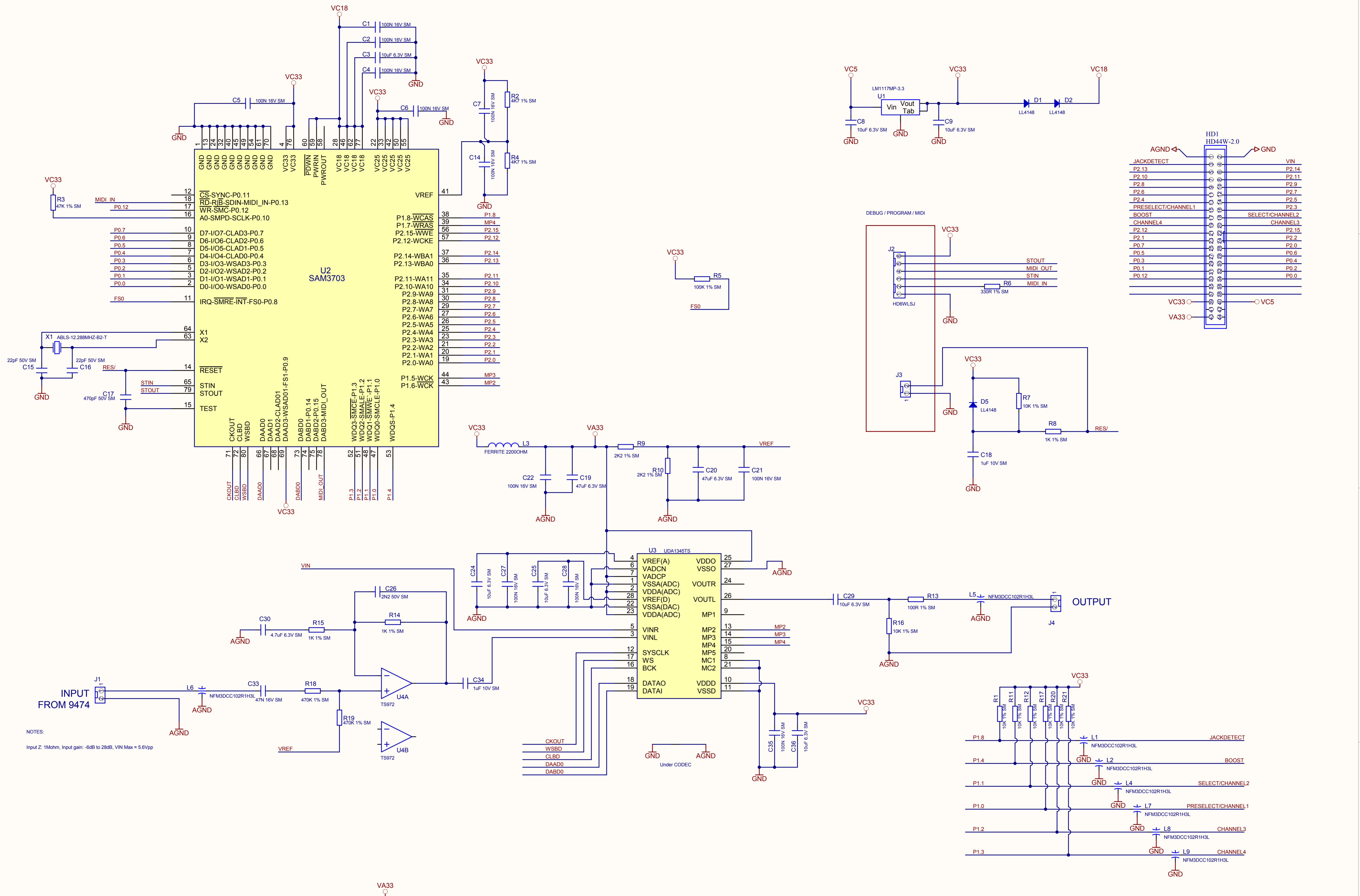


Title: Prism Range DSP Module		
Size: A3	Number: 9471	Revision: 2
Date: 16/04/2009	Time: 14:43:10	Sheet 1 of 1
Original File: 9471.SchDoc		

SteelPark Road  
 Coombs Wood  
 Industrial Estate West  
 Halesowen  
 UK  
[www.laney.co.uk](http://www.laney.co.uk)



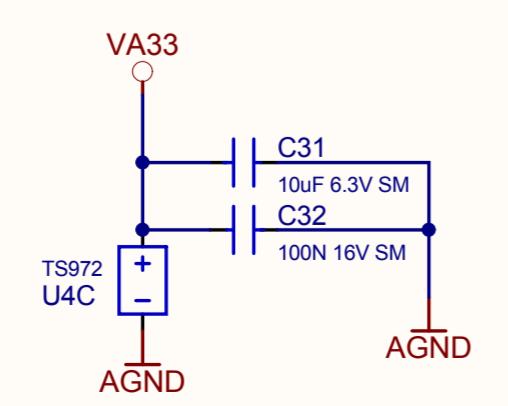
MAE-7T



NOTES:  
 Input Z: 1Mohm, Input gain: -6dB to 28dB, VIN Max = 5.6Vpp

**FP** Flame Proof Resistor.  
 Must only be replaced with same type and rating.

**!** Indicates safety critical component  
 Must only be replaced with approved type

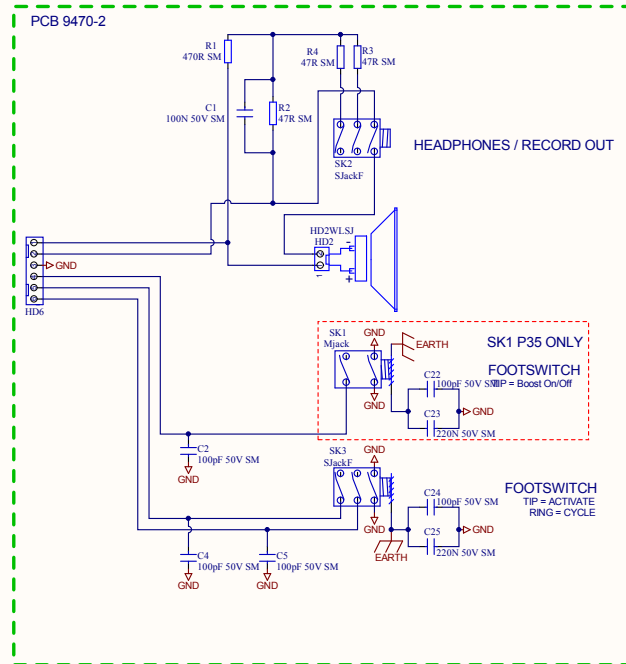


Title: Prism Range DSP Module		
Size: A3	Number: 9471	Revision: 3
Date: 14/07/2009	Time: 14:03:58	Sheet 1 of 1
Original File: 9471.SchDoc		

SteelPark Road  
 Coombs Wood  
 Industrial Estate West  
 Halesowen  
 UK  
[www.laney.co.uk](http://www.laney.co.uk)



MAE-7T



Title: P20/P35 Footswitch/Rec Out PCB		
Size: A3	Number: 9470	Revision: 3
Date: 06/04/2010	Time: 10:29:42	Sheet 1 of 1
Original File: 9470.SchDoc		

SteelPark Road  
Coombs Wood  
Industrial Estate West  
Halesowen  
UK  
www.laney.co.uk

**Laney**  
POWER TO THE MUSIC



**P20 SPARE PARTS LIST**



Model No. <b>P20 (2009)</b>						
SPARES ITEM	DESCRIPTION			PART No.	Qty. in Chassis Assy	
Transformers	100V	15W	100V Mains Transformer	006193	1	
	120V	15W	120V Mains Transformer	006191	1	
	230V	15W	230V Mains Transformer	006187	1	
Switch	Power	DPDT Mini Rocker Switch		530027	1	
Mains Inlet Skt & Fuses	110-120V	T500mA	20mm Spiral Wound Fuse	005566	1	
	220-240V	T250mA	20mm Spiral Wound Fuse	005528	1	
	In Skt	IEC Mains Inlet Fused		005005	1	
Wiring Looms	6 Way Ribbon Loom 200mm			007709	1	
	6 Way Ribbon Loom 150mm			007710	2	
	44 Way Ribbon Loom 60mm			007712	1	
	2 Way Screened Loom 150mm			007492	2	
	2 Way Screened Loom 200mm			007518	1	
PCB's	9474 - Prism Main Input PCB Complete			007715	1	
	3.5mm Stereo Jack Socket PCB Mount - (Insulated Plastic Bush)			007734	1	
	6.3mm Jack Socket Horizontal Type (Mono)			005002	1	
	9470 - P20 Footswitch/Record Out PCB (2 Sockets) Complete			007717	1	
	6.3mm Jack Socket Horizontal Standoff Type (Mono)			005097	1	
	6.3mm Jack Socket Horizontal Standoff Type (Stereo)			005098	1	
	9473 - P20 Output PCB Complete			007718	1	
	TDA2050V 32W HIFI Audio Amplifier IC			003403	1	
	LM7805 5V Positive 1A Fixed Voltage Regulator			003905	1	
	2200uF 25V Radial Electrolytic Capacitor			002003	2	
	0R47 2.5W 5% Wire Wound Resistor Silicone			001507	1	
	4R7 2.5W Cement Wire Wound Resistor			001502	1	
	9468 - P20 Fascia Control PCB Complete			007719	1	
	Pots	VR1&2	10K Lin 16mm Vertical Mount Pot 6mm Spline (11 Detent)		007720	2
		VR3-9	10K Lin 16mm Vertical Mount Pot 6mm Spline		007721	7
	Push	Switch	1P1W Illuminated Red Tact Switch		007722	10
	Switch	Inner	Prism Inner Tact Switch Button - Clear		007723	10
		Outer	Prism Outer Tact Switch Button - Smoked Chrome		007724	10
	9471 - Main DSP PCB (P20 Coded) Complete			007716	1	
	Cabinet	Laney Badge (Plastic) (Standard Font) 116mm Drg Ref:4169			007725	1
8 inch 4 ohm 15W Guitar / Bass			51015	1		
P20 Fascia (Painted & Printed)			007735	1		
14mm Rnd Knurled Control Knob - Smoked Chrome			007309-PC	9		
Prism Handle Assembly Drg Ref:4167			007726	1		
38x15mm Rubber Foot with Steel Insert			007473	4		
45° Full Front Black Plastic Cabinet Corner RHS Drg Ref:4170			007727	1		
45° Full Front Black Plastic Cabinet Corner LHS Drg Ref:4168			007728	1		
90°Curved Black Plastic Cabinet Corner Drg Ref:4162			007729	6		
Foot Switch			FS2	1		
Country Dependant				1		
P20 Covered Cabinet NO Loudspeaker or Fittings			007730	1		
P20 Covered Baffle			007731	1		
P20 User Manual			007732	1		
P20 Carton (Inner)			007733	1		