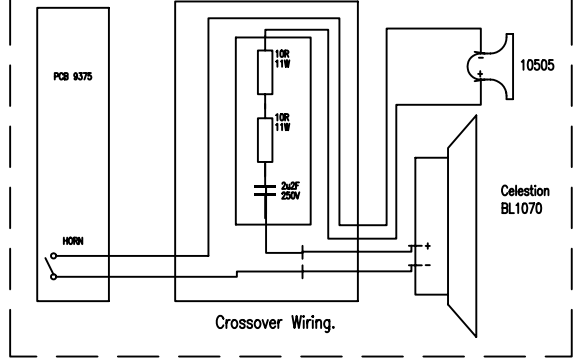
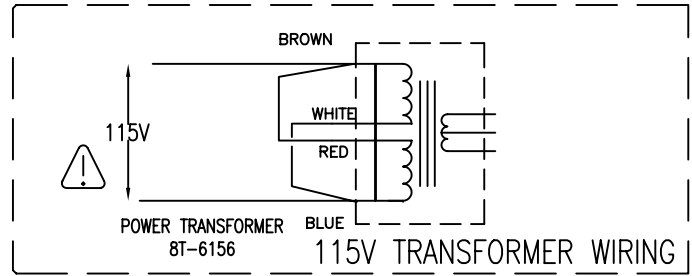
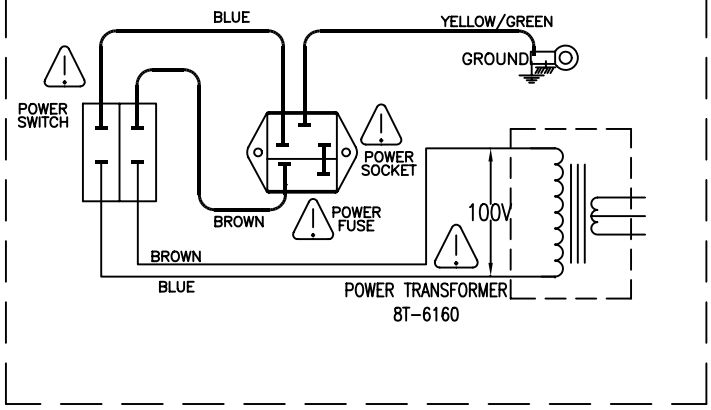
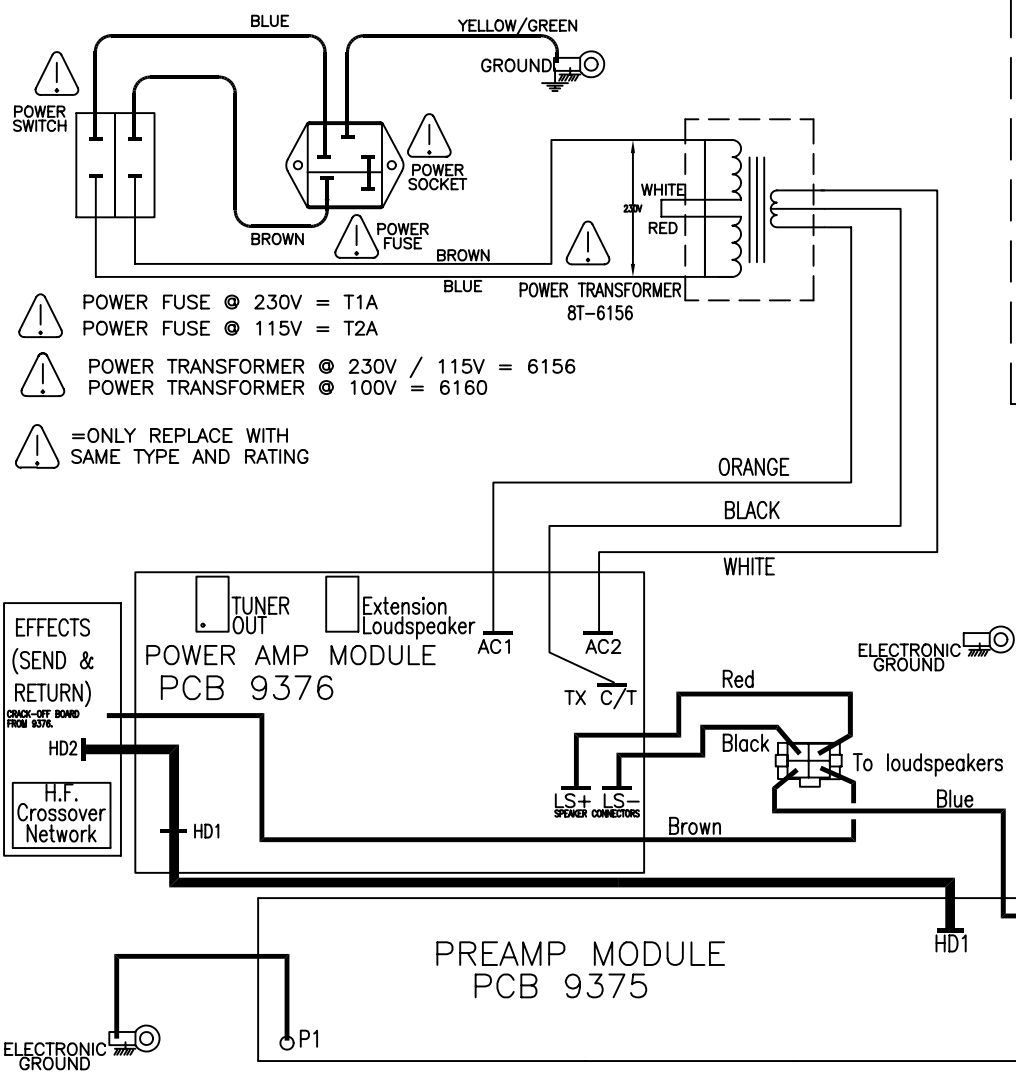


R1
Service
Information

Laney
Classic British Amplification

Newlyn Road, Cradley Heath, West Midlands. B64 6BE
www.laney.co.uk

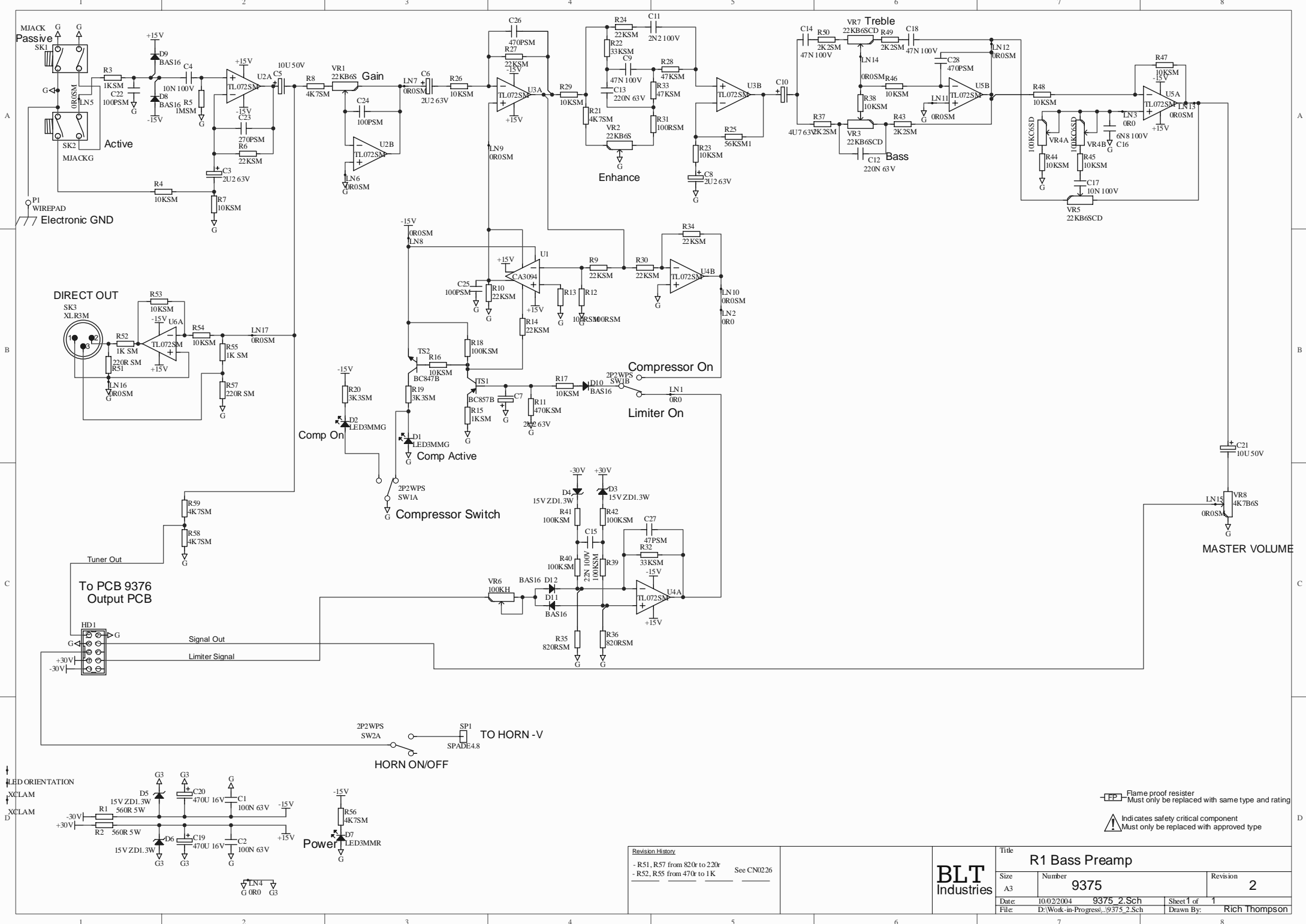


ISSUE	DESCRIPTION	APPD.	DATE

BLT
Industries Ltd.

TITLE
R1 SERVICE
DIAGRAM
PART No

DRAWN	TRACED	CHECKED	APPROVED	DATE
R.J.F				12/12/02
DRAWING No.		3382		

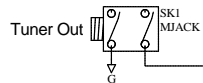


Flame proof resistor
 Must only be replaced with same type and rating
 Indicates safety critical component
 Must only be replaced with approved type

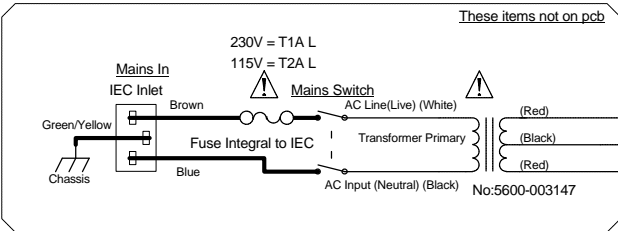
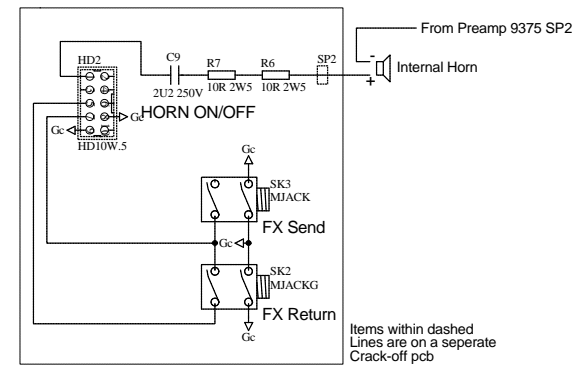
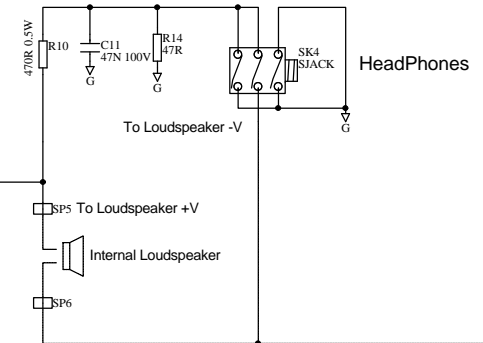
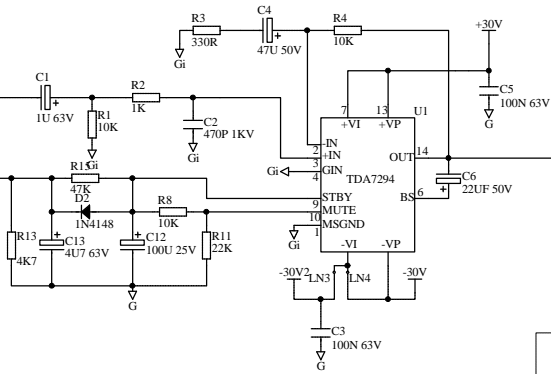
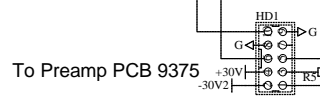
Revision History	
- R51, R57 from 820r to 220r	See CN0226
- R52, R55 from 470r to 1K	

BLT Industries

Title		R1 Bass Preamp	
Size	Number	Revision	
A3	9375	2	
Date:	10/02/2004	Sheet 1 of	1
File:	D:\Work-in-Progress\9375_2.Sch	Drawn By:	Rich Thompson



Horn Switch LN1 0R0
To PCB 9376 Output PCB



Flame proof resistor
Must only be replaced with same type and rating

Indicates safety critical component
Must only be replaced with approved type

Revision History	

Title		R1 Bass Amp Output PCB	
Size	Number	Revision	
A3	9376	2	
Date:	16-Dec-2002	9376_2.Sch	Sheet 1 of 1
File:	E:\PCB\Protel PCB\9376_2.dtb	Drawn By:	Rich Thompson

BLT
Industries

Product	Descriptor	Quantity	Price
R1E	R1 RICHTER BASS COMBO 65W-230V		
-005530	20mm T1A FUSE	1.0000	
-10702	SPECIAL MAINS LEAD	1.0000	
-10969	R SERIES USER MANUAL	1.0000	
-008450	R1 CHASSIS ASSY 230/	1.0000	
-005005	NEW TYPE MAINS SOCKE	1.0000	
-005124	TAICOM TMF04MC 4PIN	1.0000	
-005511	5MM SOLDER TAG	2.0000	
-005114	R1/2/3 - IDC CABLE A	1.0000	
-005558	100mm TIE WRAP	4.0000	
-005665/C	12mm KNOB C/P	7.0000	
-006156	R1 MAINS TRANSFORMER	1.0000	
-008322	LABEL VOLTAGE SELEC	1.0000	
-008451	R1 PREAMP PCB ASSY	1.0000	
-001300	ORO SHORTING LINK	14.0000	
-001303	100R 5% RESISTOR	3.0000	
-001304	820R 5% RESISTOR	3.0000	
-004029	100K HORIZ PRESET	1.0000	
-001305	2K2 5% RESISTOR	2.0000	
-001306	10K 5% RESISTOR	15.0000	
-001309	1M 5% RESISTOR	1.0000	
-001310	100K 5% RESISTOR	6.0000	
-001311	470R 5% RESISTOR	4.0000	
-001312	4K7 5% RESISTOR	7.0000	
-001315	47K 5% RESISTOR	2.0000	
-001316	22K 5% RESISTOR	4.0000	
-001319	15K 5% RESISTOR	1.0000	
-001326	3K3 5% RESISTOR	2.0000	
-001327	1K 5% RESISTOR	3.0000	
-001331	33K 5% RESISTOR	2.0000	
-001336	470K 5% RESISTOR	1.0000	
-001710	560R 5W RESISTOR	2.0000	
-001920	ZERO OHM RESISTOR	3.0000	
-001923	56KSM 1206 1% RESIST	1.0000	
-002013	10UF 50V CAPACITOR	3.0000	
-002020	470UF 16V RADIAL	2.0000	
-002024	2.2UF 63V RADIAL	3.0000	
-002026	.47UF 63V RADIAL	1.0000	
-002037	220N 5MM BOX POLY CA	1.0000	
-002415	2.2NF 100V 5mm	1.0000	
-002418	6.8NF 100V 5mm	1.0000	
-002419	100NF 63V 5mm	2.0000	
-002420	22NF 100V 5mm	1.0000	
-002421	10NF 100V 5mm	2.0000	
-002425	47NF 100V 5mm	4.0000	
-002602	47PF 50V 10% COG	1.0000	
-002603	100PF 50V 10% COG	3.0000	
-002604	270PF 50V 10% COG	1.0000	
-002605	470PF 50V 10% COG	2.0000	
-003014	15V 1.3W ZENER	4.0000	
-003022	3mm GREEN LED	2.0000	
-003033	3mm LED RED	1.0000	
-003500	BAS16 DIODE	5.0000	
-003503	BC847B TRANSISTOR	1.0000	
-003504	BC857B TRANSISTOR	1.0000	
-003508	34072 IC (SMD TL072)	5.0000	
-003916	CA3094E/CA3080E IC	1.0000	
-004029	100K HORIZ PRESET	1.0000	
-004061	6mm 22K LIN POT	2.0000	
-004072	6mm 4K7 LIN POT	1.0000	
-004075	6mm 100KC DUAL POT	1.0000	
-004099	22K LIN POT	3.0000	
-005002	MONO JACK SOCKET	1.0000	
-005017	2P 2W PUSH SWITCH	2.0000	
-005079	IDC PCB PLUG 10-WAY	1.0000	
-005096	MONO JACK SOCKET-GOL	1.0000	
-005503	7.5mm ROUND BLACK BU	2.0000	
-005624	XLR SKT MALE 90DEG	1.0000	
-005686	4.8MM TERMINAL SPADE	1.0000	
-009375	R1 BASS PREAMP PCB	1.0000	
-008452	R1 OUTPUT PCB ASSY	1.0000	
-001003	1K .25W RESISTOR	2.0000	
-001006	4K7 .25W RESISTOR	1.0000	
-001008	100K .25W RESISTOR	1.0000	
-001010	47K .25W RESISTOR	1.0000	
-001013	22K .25W RESISTOR	2.0000	
-001014	10K .25W RESISTOR	3.0000	
-001017	47R .25W RESISTOR	1.0000	
-001200	470R .5W RESISTOR	1.0000	
-001500	10R 2.5W RESISTOR	1.0000	
-001718	10R 11W CEMENT 5%	1.0000	
-001920	ZERO OHM RESISTOR	4.0000	
-002004	47UF 50V RADIAL	1.0000	
-002014	100UF 35V RADIAL	1.0000	
-002025	1UF 63V RADIAL	1.0000	
-002027	4.7UF 63V RADIAL	1.0000	
-002043	22uf 50V ELECTROLYTI	1.0000	
-002044	3300uf 50V ELECTROLY	2.0000	
-002402	220NF 250V 15MM DIPE	1.0000	
-002419	100NF 63V 5mm	3.0000	
-002425	47NF 100V 5mm	1.0000	
-002431	2.2UF 250V POLYESTER	1.0000	
-002814	470PF 250V CERAMIC	1.0000	
-003000	1N4007 DIODE	1.0000	
-003006	1N4148 DIODE	1.0000	
-003016	6A 200V BRIDGE	1.0000	
-003401	TDA7294 100W AUDIO AM	1.0000	
-005002	MONO JACK SOCKET	1.0000	
-005097	MONO JACK SOCKET-HOF	1.0000	
-005098	STEREO JACK SOCKET-F	1.0000	
-005079	IDC PCB PLUG 10-WAY	2.0000	
-005096	MONO JACK SOCKET-GOL	1.0000	
-005686	4.8MM TERMINAL SPADE	6.0000	
-009376	R1 BASS 80W OUTPUT F	1.0000	
-8M-8877	65MM FINNED HEATSINK	1.0000	
-009161	4mm INT. SHAKEPROOF	1.0000	
-009171	M5 INT SHAKEPROOF WA	2.0000	
-009173	5*12mm PAN POZI ZINC	1.0000	
-009175	M6 HEX NUT ZINC ONLY	1.0000	

Manufacturing

Product	Description	Quantity
-009181	5mm BRASS HEX NUT	1.0000
-009187	NO.8 SPIRE FASTENER	6.0000
-009204	NO 4*1/4 PLASTITE	2.0000
-009214	6*50mm CUP SQUARE	1.0000
-009229	8*3/8 FH POZI	5.0000
-009233	POP RIVET 4*7	3.0000
-530027	DPST EQ MAINS SWITCH	1.0000
-540038	EARTH WARNING LABEL	1.0000
-541004	HC25/50 4.8 FASTON	9.0000
-584062	6MM FLAT TX WASHER 2	1.0000
-584063	6mm SPLIT WASHER	1.0000
-588006	POP RIVET (BLACK)	2.0000
-8M-8870	R1 CHASSIS DWG.3340	1.0000
-8SP-8870	R1 PRINT COST	1.0000
20101	R1 CABINET	1.0000
-005126	TAICOM TMF04C 4PIN C	1.0000
-10039	CORNER PENN P/N.C183	4.0000
-10057	SMALL LANEY BADGE	1.0000
-10059	RUBBER CABINET FOOT	4.0000
-10113	M1530 PORT	2.0000
-10157	PLASTIC STRAP HANDLE	1.0000
-10200	M5 x 10mm TEENUT	6.0000
-10202	5MMx25MM CSK POZI SC	2.0000
-10204	5mm X 25mm PAN POZI	4.0000
-10207	NO.6 X 5/8" CSK POZI	4.0000
-10224	35mm FINISHED NAIL	30.0000
-10231	No8x1/2" FLANGE POZI	18.0000
-10240	10 * 1 CSK POZI	4.0000
-10243	NO4*1/2 TYPE B CSK	2.0000
-10244	FLAT SPIRE CLIP	2.0000
-10248	NO10 * 1 1/4" FLANGE	4.0000
-10301	18mm CHIPBOARD	0.2500
-10328	REPTILE BLACK	1.1000
-10472	R1 CARTON	1.0000
-10505	TLX-1 (TLC-1) TWEETE	1.0000
-10600	32/18 STAPLE	16.0000
-10621	POLY. BAG 30(0) X 36	1.0000
-10981	GLUE/PAINT COST 1.25	1.0000
-51004	CELESTION BL1070 8 C	1.0000
-541004	HC25/50 4.8 FASTON	2.0000
-8G-R1	GRILL R1	1.0000
-79063	RICHTER MESH	0.0800
-8M-R1	R1 Grill	1.0000
-8PCG-R1	GRILL R1	1.0000
-8P-8733	RICHTER VENT	1.0000
-79003	ZINTEC SHEET/1Mx1Mx1	0.0230
-8PC-873	RBW100 VENT	1.0000
-8M-8733	Vent	1.0000