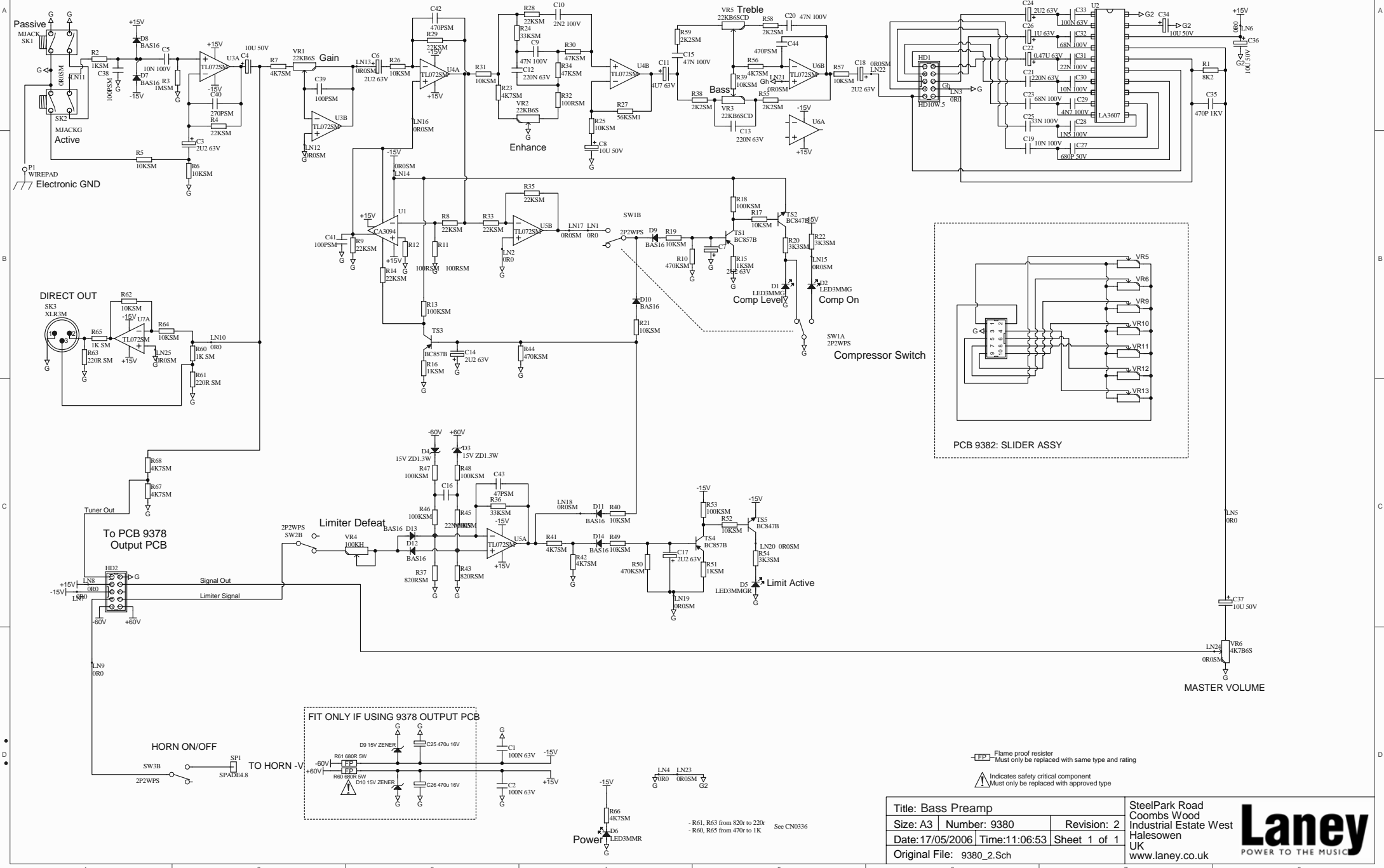


**RB9**

***Service Information***

**Laney**  
POWER TO THE MUSIC  
[www.laney.co.uk](http://www.laney.co.uk)



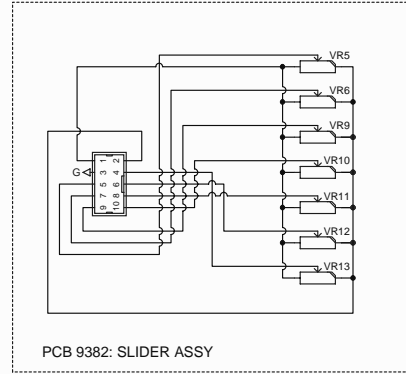
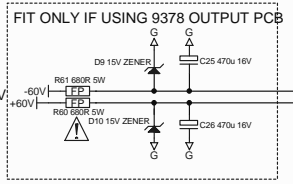
-FP1 Flame proof resistor  
 Must only be replaced with same type and rating  
 ▲ Indicates safety critical component  
 Must only be replaced with approved type

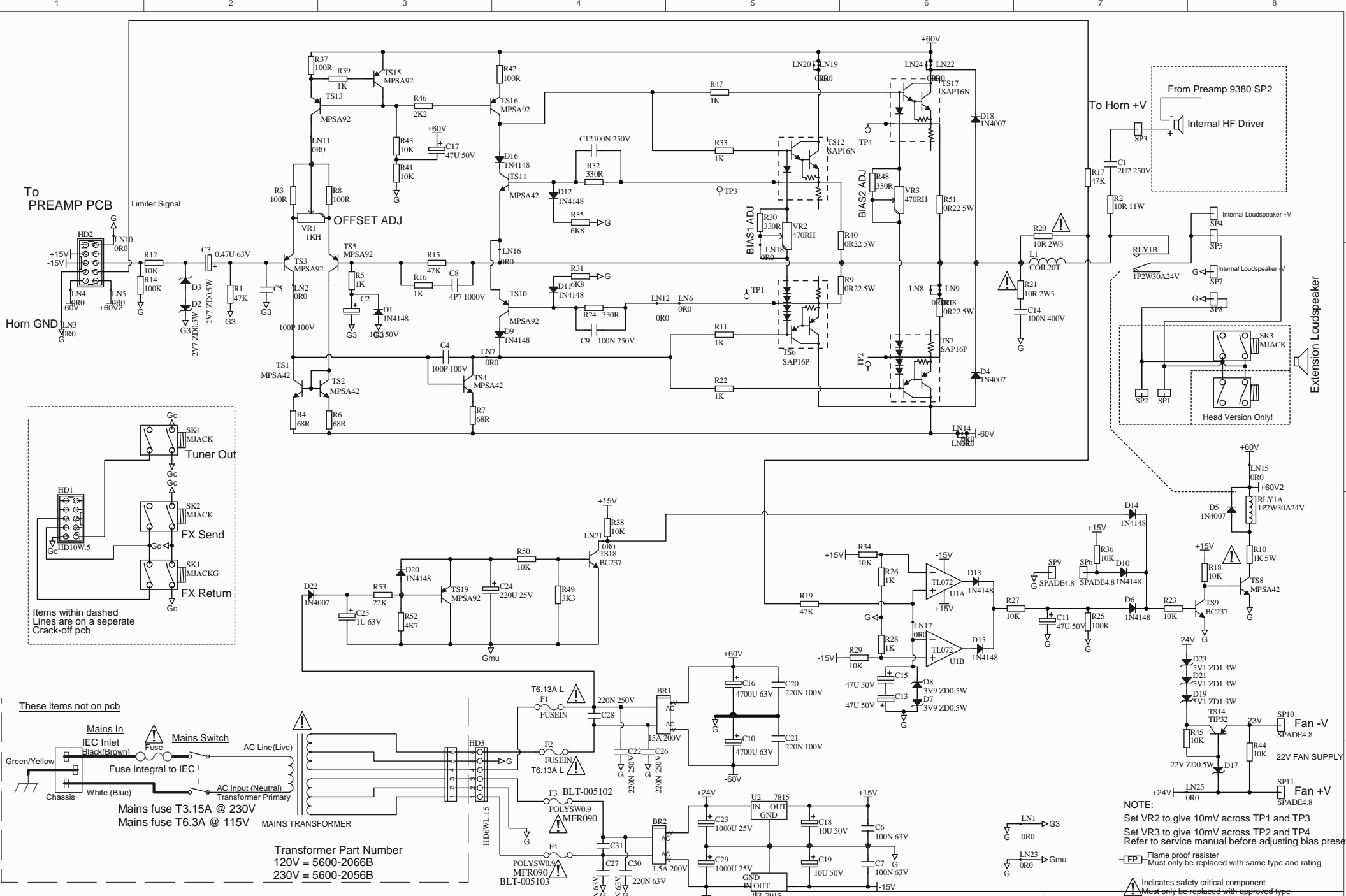
Title: Bass Preamp		
Size: A3	Number: 9380	Revision: 2
Date: 17/05/2006	Time: 11:06:53	Sheet 1 of 1
Original File: 9380_2.Sch		

SteelPark Road  
 Coombs Wood  
 Industrial Estate West  
 Halesowen  
 UK  
[www.laney.co.uk](http://www.laney.co.uk)

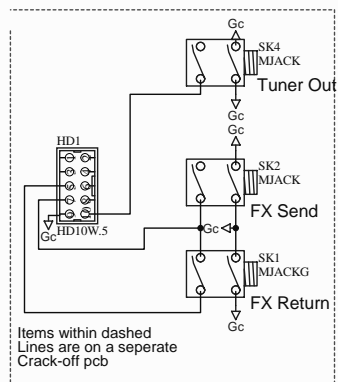


- R61, R63 from 820r to 220r  
 - R60, R65 from 470r to 1k  
 See CN0336

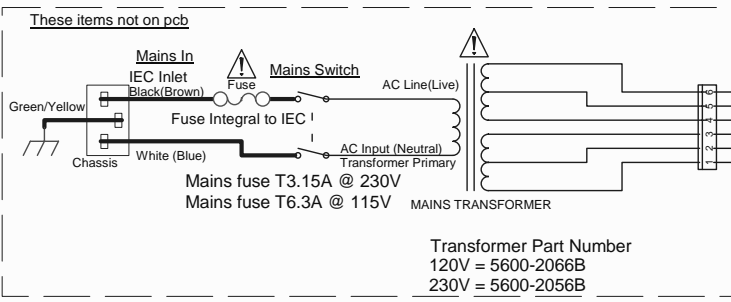




To PREAMP PCB



Items within dashed Lines are on a separate Crack-off pcb



These items not on pcb

NOTE:  
 Set VR2 to give 10mV across TP1 and TP3  
 Set VR3 to give 10mV across TP2 and TP4  
 Refer to service manual before adjusting bias preset  
 Flame proof resistor  
 Must only be replaced with same type and rating

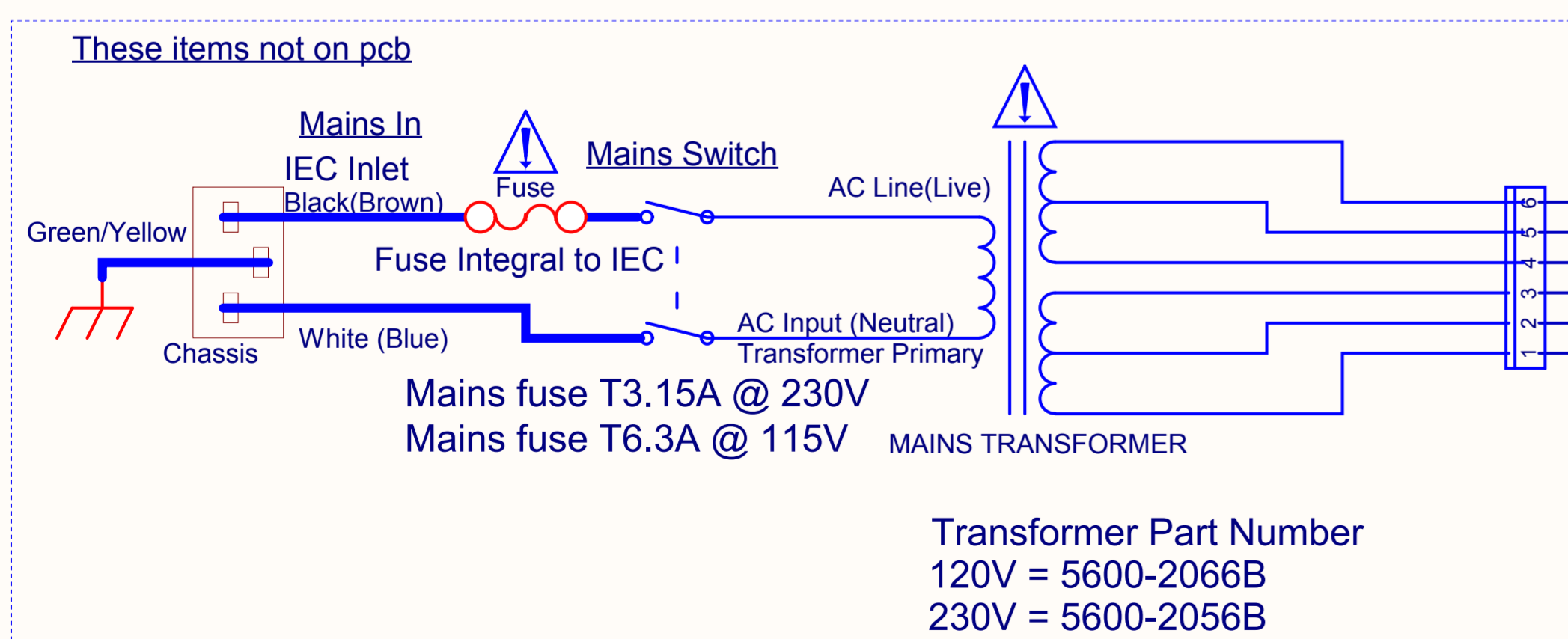
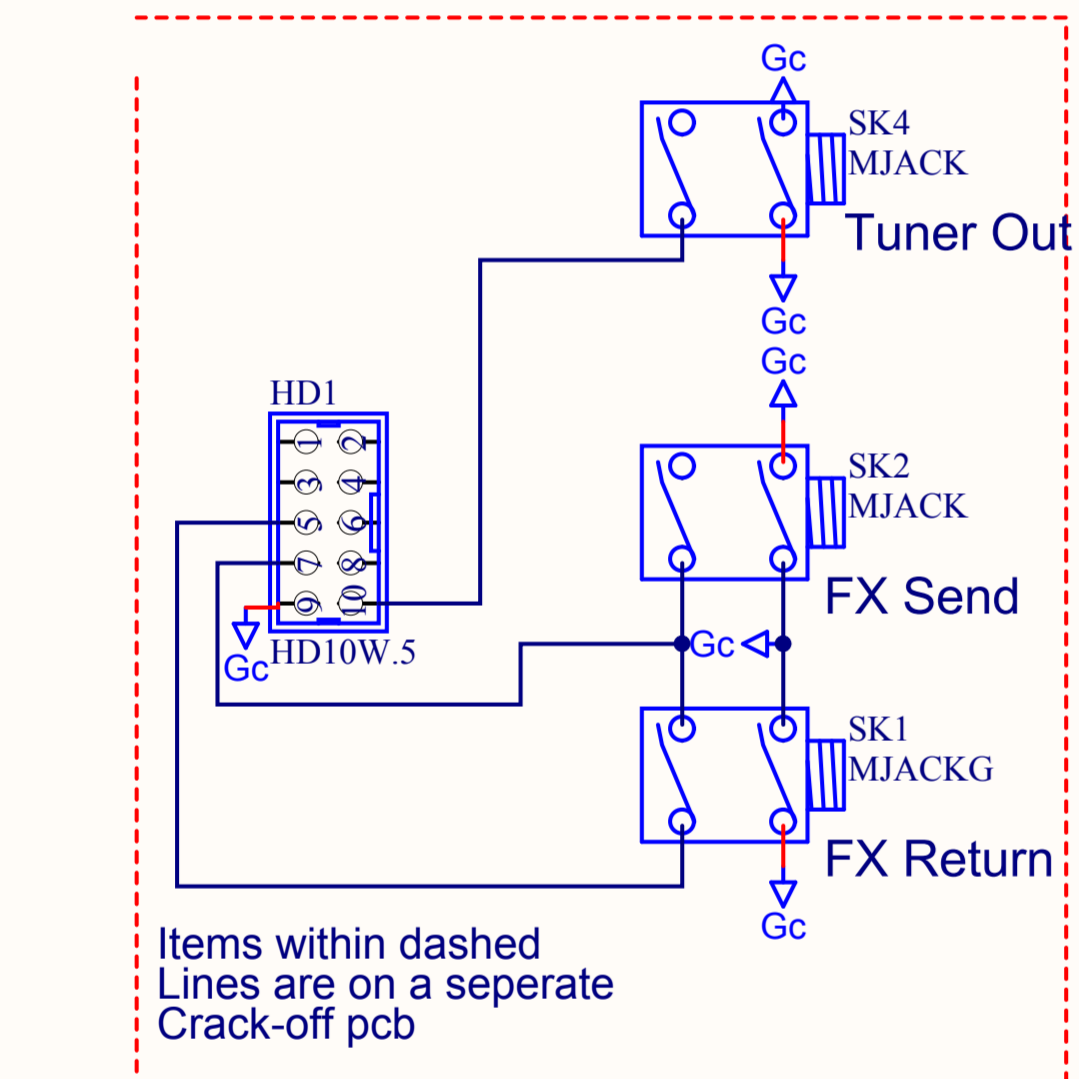
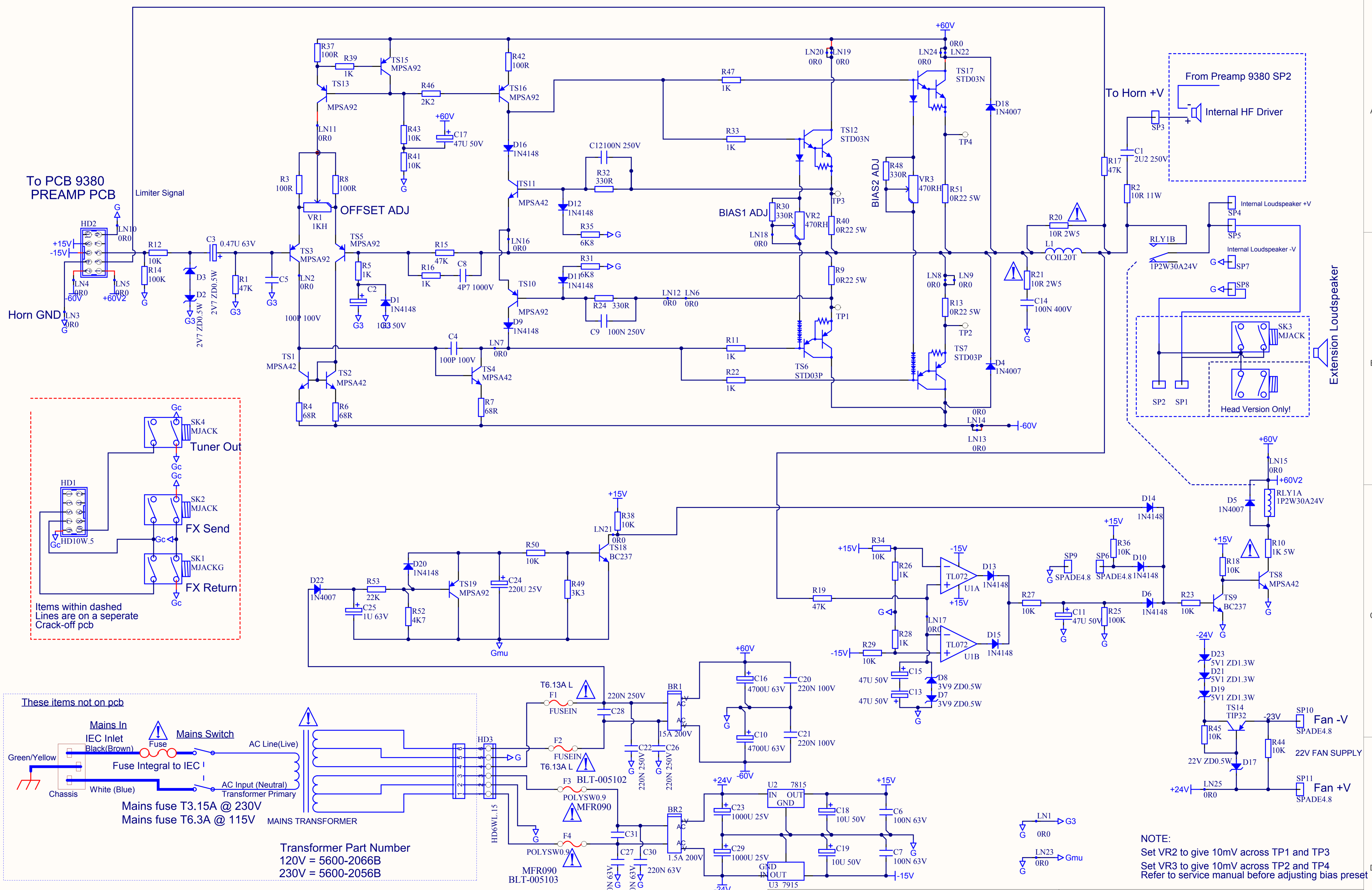
Indicates safety critical component  
 Must only be replaced with approved type

Title: 300W OUTPUT MODULE

Size: A3	Number: 9381	Revision: 2
Date: 17/05/2006	Time: 11:16:23	Sheet 1 of 1
Original File: 9381_2.Sch		

Steelpark Road  
 Coombs Wood  
 Industrial Estate West  
 Halesowen  
 UK  
 www.laney.co.uk

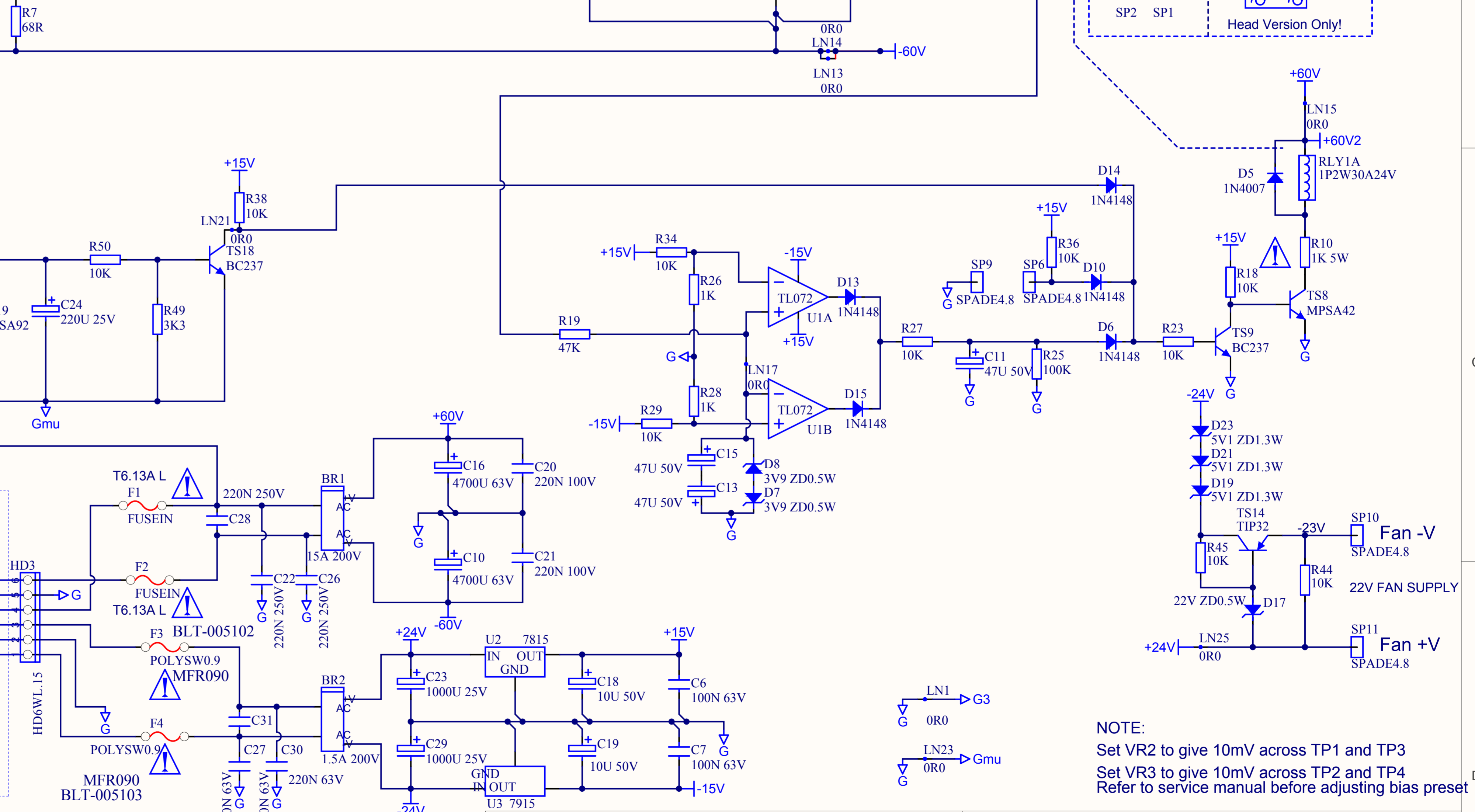




**These items not on pcb**

Mains In IEC Inlet  
 Fuse  
 Mains Switch  
 AC Line(Live)  
 Green/Yellow  
 White (Blue)  
 Chassis  
 AC Input (Neutral)  
 Transformer Primary  
 Mains fuse T3.15A @ 230V  
 Mains fuse T6.3A @ 115V  
 MAINS TRANSFORMER

Transformer Part Number  
 120V = 5600-2066B  
 230V = 5600-2056B



**NOTE:**  
 Set VR2 to give 10mV across TP1 and TP3  
 Set VR3 to give 10mV across TP2 and TP4  
 Refer to service manual before adjusting bias preset

Title: 300W BASS OUTPUT PCB		Steelpark Road	
Size: A3	Number:	Coombs Wood	
Date: 19/12/2007	Time: 14:26:48	Industrial Estate West	
Original File: 9381.SchDOC	Revision: 3	Halesowen	
	Sheet of	UK	
		www.laney.co.uk	



- Flame proof resistor  
Must only be replaced with same type and rating
- Indicates safety critical component  
Must only be replaced with approved type

**RB9 SPARE PARTS LIST**



Model No. <b>RB9</b>
-------------------------

SPARES ITEM	DESCRIPTION		PART No.	
Mains Transformer	100V	5600-2060B 300W 100V Mains Transformer	006212	
	120V	5600-2057B 300W 120V Mains Transformer	006169	
	230V	5600-2036B 300W 230V Mains Transformer	006198	
Switch	Power	5A DPDT Rocker Switch	530027	
Mains Fuse	100-120V	T6.3A 20mm Spiral Wound	005594	
	220-240V	T3.15A 20mm Spiral Wound	540021	
Corner	Front/Back	Black Non Hooked Type	007035	
Jack Sockets		1/4 Jack Socket - Mono - Gold	005096	
		1/4 Jack Socket PCB Mount	005002	
PCB's	9380	Bass Pre Amp PCB Complete	007031	
	Pots	VR1/2	22K Lin 6mm Spline	004061
		VR3/5	22K Lin 6mm Spline Centre Detent	004099
		VR6	4K7 Lin 6mm Spline	004072
	Switch	SW1/2	2P2W Push Switch	005017
	9381	300W Output PCB Complete	007014	
	9382	Slider Assy PCB Complete	007162	
Badge	1	Large Laney Badge	10056	
	2	Richter Badge	007160	
Control Knob		Small, Round Chrome -Deep Knurl	005650	
Handle		Black Strap Handle	10100	
Mains Inlet Socket		IEC Mains Inlet Socket Fused	005005	
Mains Lead		Country Dependant		
Feet		Screw on Rubber Feet	10059	
Cabinet		Carcass Plus Fittings RB9	007158	
Output / Safety Critical Device	1	<b>SAP15N Darlington Power (NPN) OBSOLETE</b>	<b>003807</b>	
	2	<b>SAP15P Darlington Power (PNP) OBSOLETE</b>	<b>003808</b>	
	1	STD03N Darlington Power (NPN) Replacement for above	003817	
	2	STD03P Darlington Power (PNP) Replacement for above	003818	
		0R22 5% 5W Emitter Resistor (1 Reqd.for each STD Dev	007036	
		If you experience difficulty fitting, contact Laney service		
	3	4700uF 63V Radial Capacitor	002006	
	4	0.9A Poly Switch MFR090	005103	
	5	1000uF 25V Radial Capacitor	002009	
	6	10R 2W5 Resistor	001500	
7	1K 5W Resistor	001701		
Direct Inj. Socket		XLR 3M 90 Deg. Socket Male	005624	
Fan		24V DC 80mm Fan	007012	
Manual		RB9 User Manual	007159	