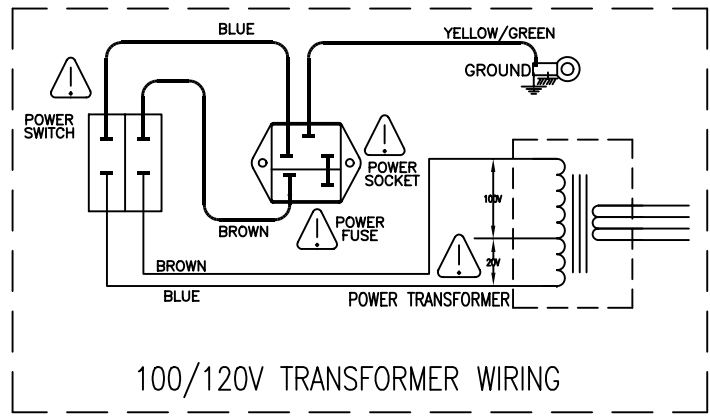
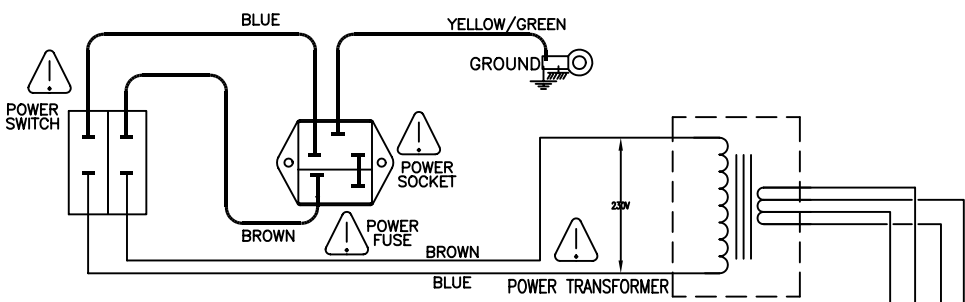
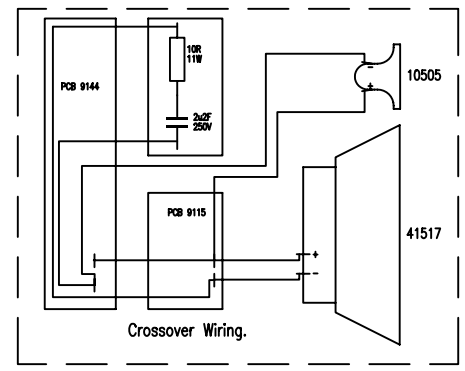
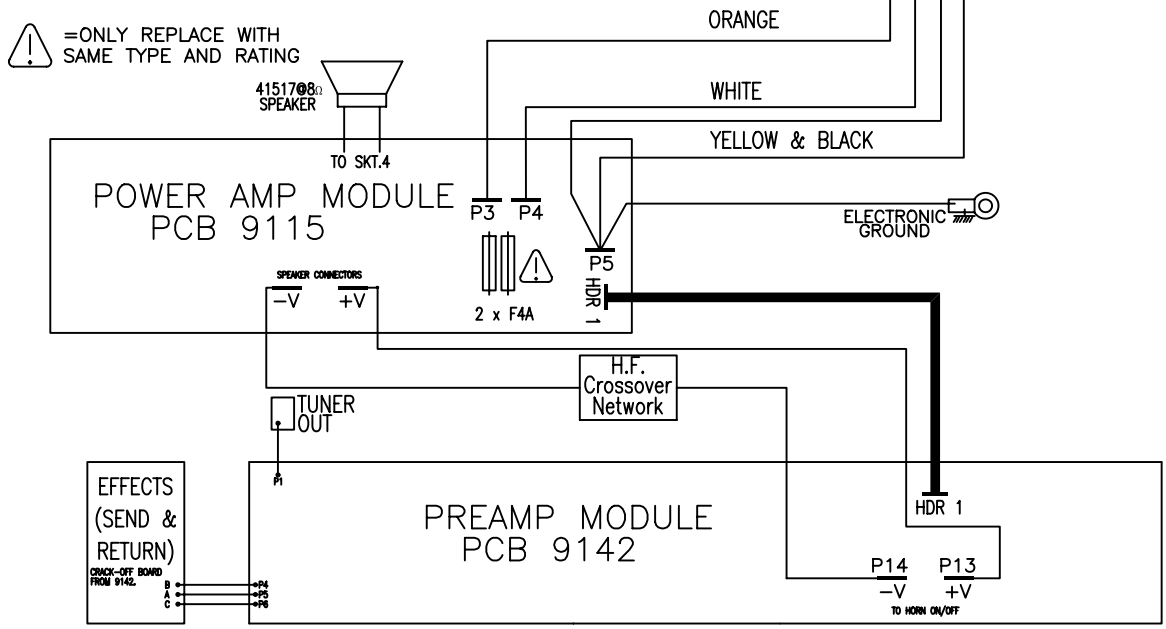


Laney

Service Diagrams



- ⚠ POWER FUSE @ 230V = T2A
- ⚠ POWER FUSE @ 115V = T5A
- ⚠ POWER TRANSFORMER @ 230V = 6123
- ⚠ POWER TRANSFORMER @ 115V = 6124
- ⚠ =ONLY REPLACE WITH SAME TYPE AND RATING

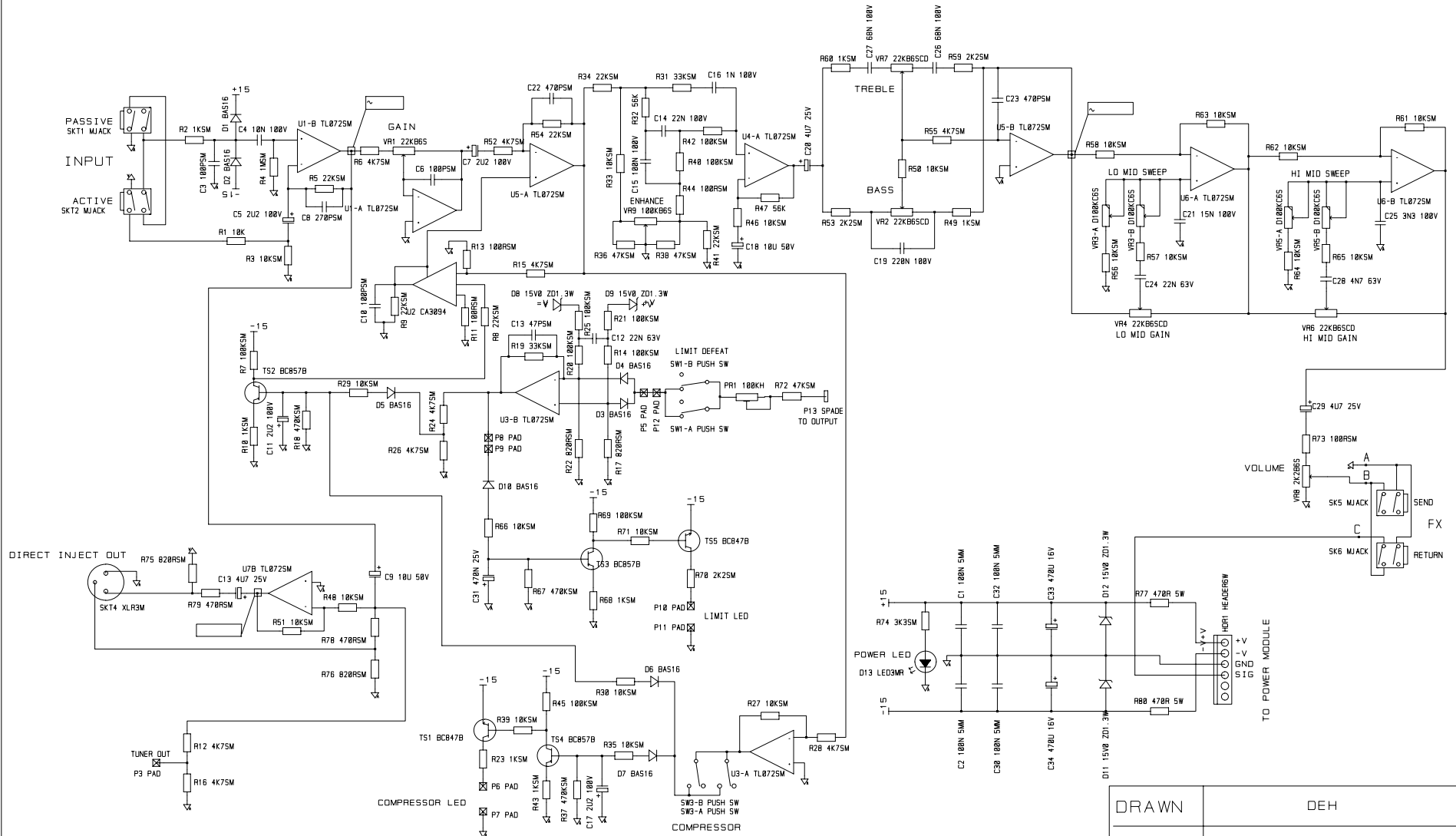


ISSUE	DESCRIPTION	APPD.	DATE

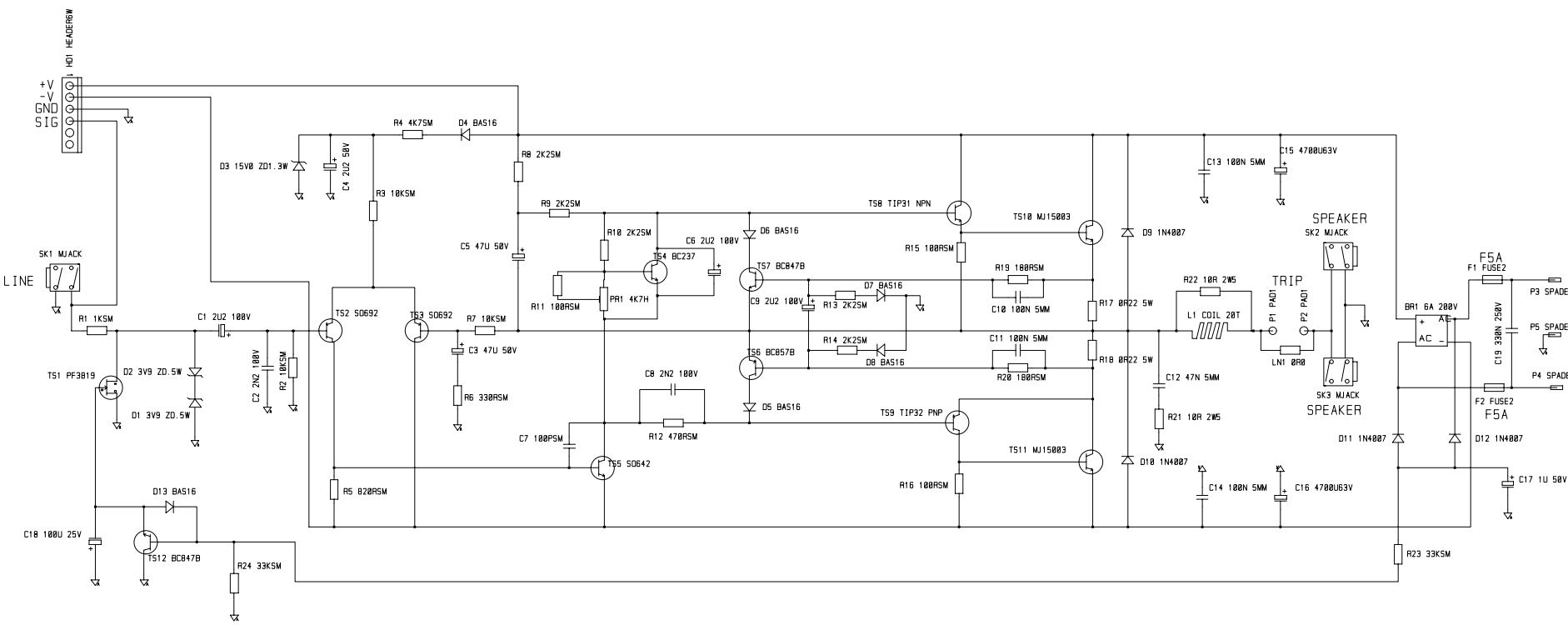
BLT
Industries Ltd.

TITLE
RBW300 SERVICE
DIAGRAM
PART No

DRAWN	TRACED	CHECKED	APPROVED	DATE
S.L.				16/4/98
DRAWING No.		2804		

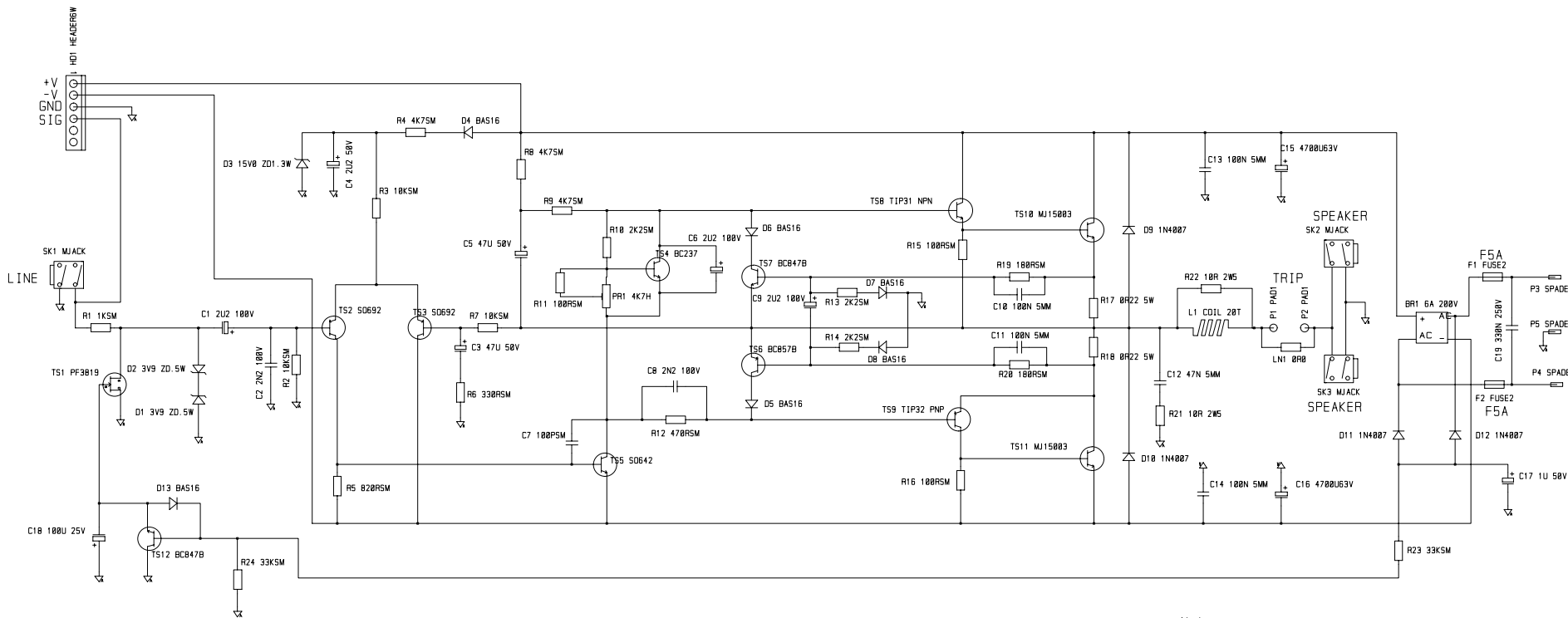


DRAWN	DEH
DATE	23/01/98
TITLE	RBW300 PREAMP
DRW. NO.	9142_3



DRAWN	DEH
DATE	17/10/96
TITLE	120W / 150W OUTPUT BOARD
DRW. NO.	9115_2

ISSUE	USED IN	USED IN				
TYPE	CR120 CR150	P304M P304MR	P606S P6065R			



Notes
 For 150W Models F1 + F2 should be F4A
 For 100 - 120W Models F1 and F2 should be F3.15A

DRAWN	DEH
DATE	17/10/96
TITLE	120W/150W OUTPUT PCB
DRW. NO.	9115_3

ISSUE	3	3	3			
TYPE	LAYOUT CHANGE 22/01/97	RB & R9 CHANGED FROM 2K2 TO 4K7 - 7/4/97 SEE CHANGE NOTE No.96	F1 and F2 Changed See Change Note 197			