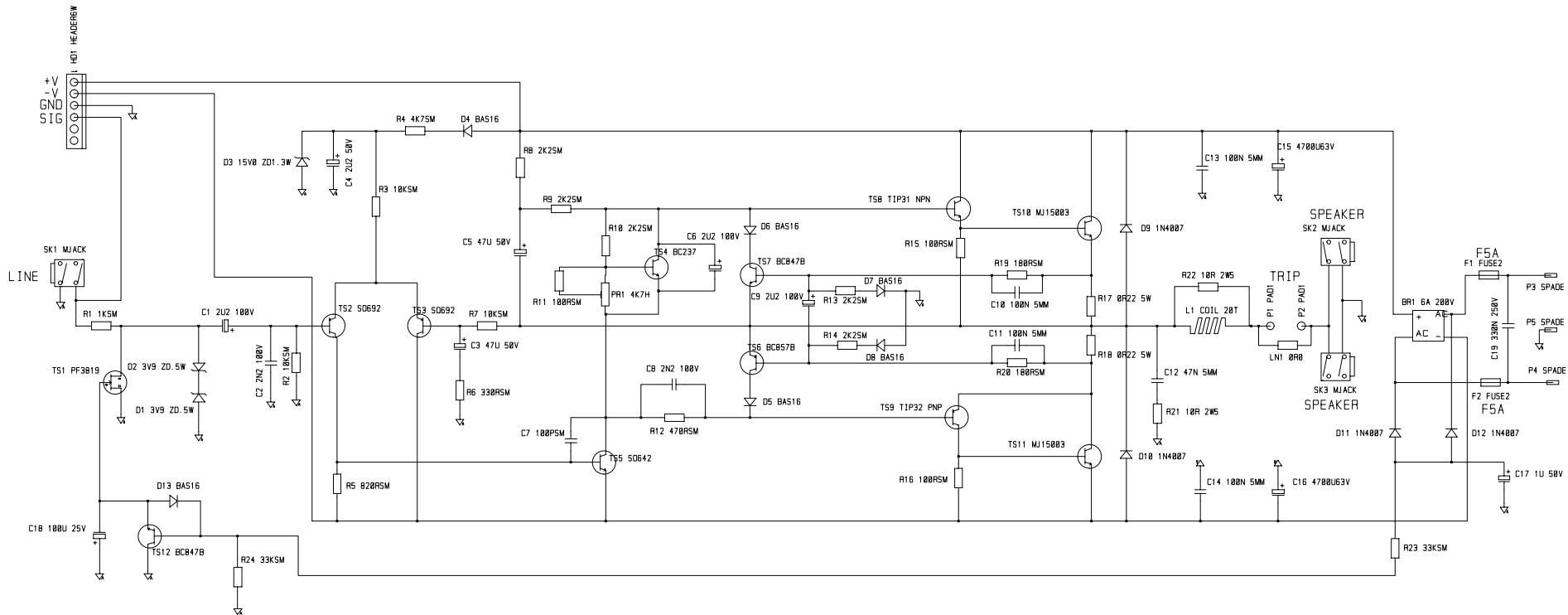


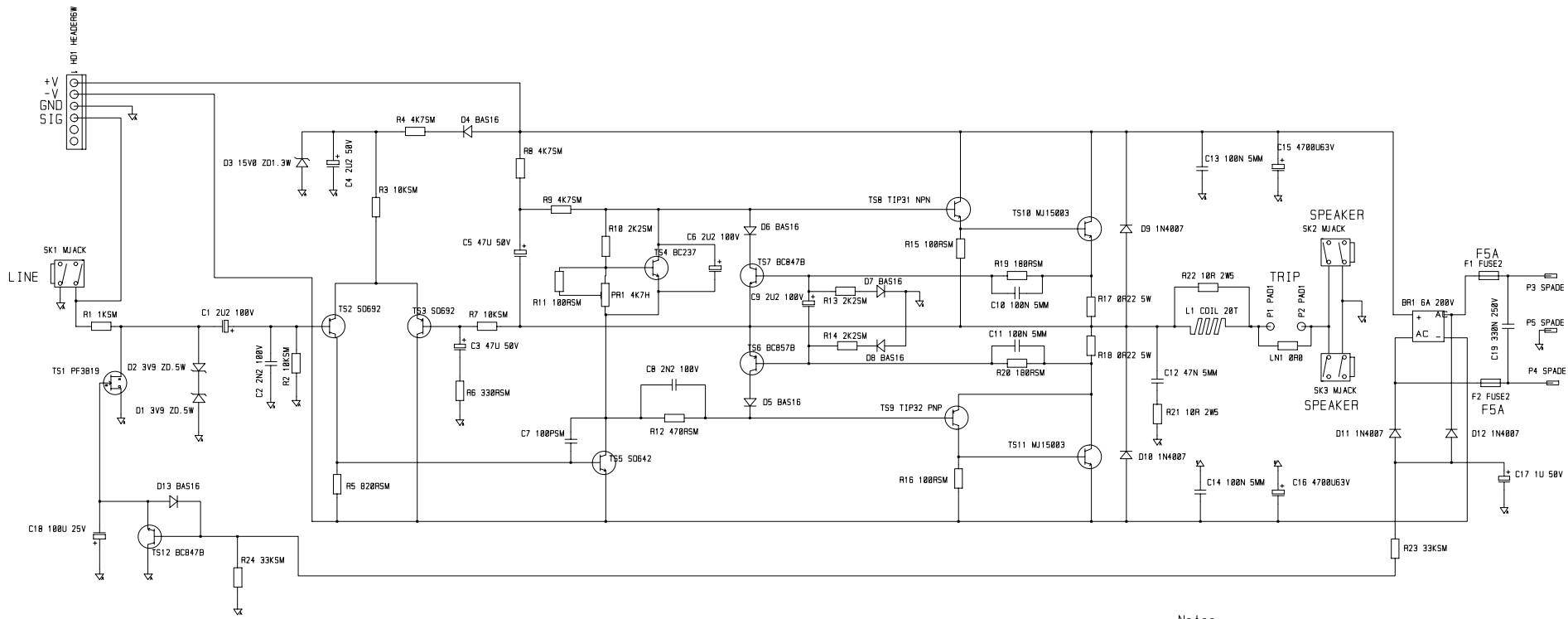
Laney

Service Diagrams



DRAWN	DEH
DATE	17/10/96
TITLE	120W / 150W OUTPUT BOARD
DRW. NO.	9115_2

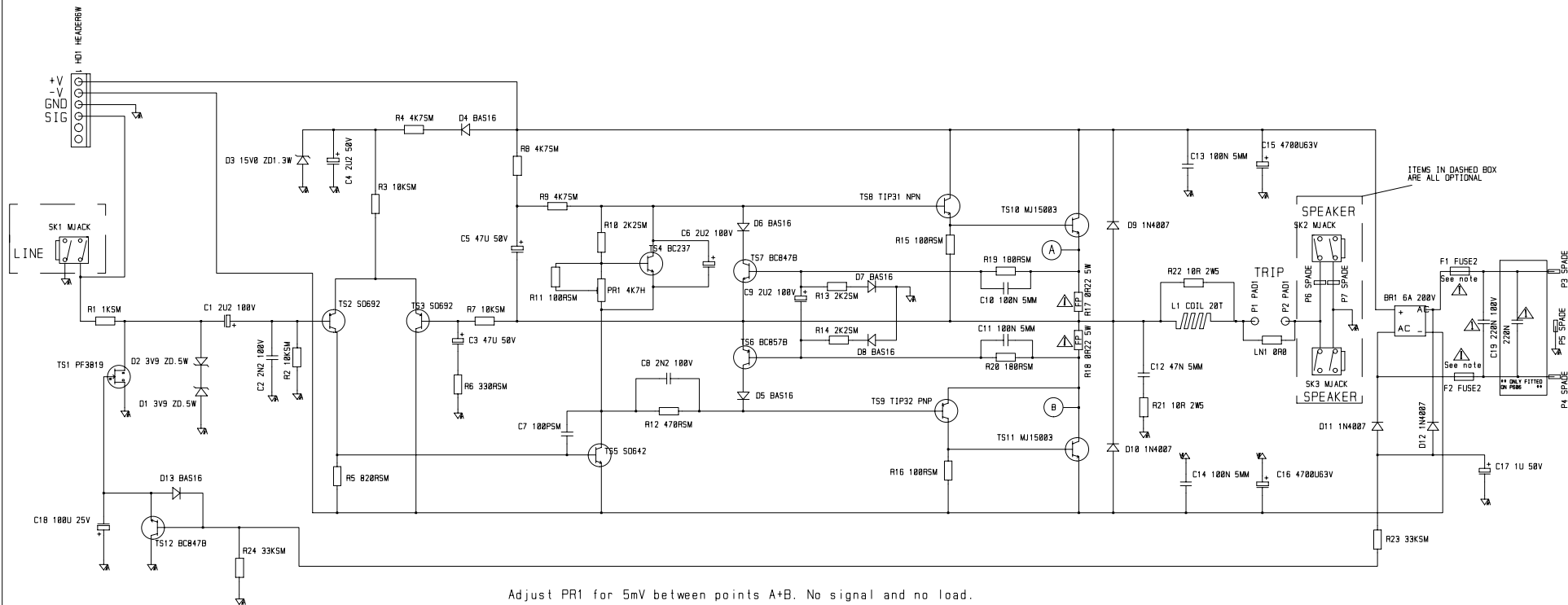
ISSUE	USED IN	USED IN			
TYPE	CR120 P304M CR150 P304MR	P606S P606SR			



Notes
 For 150W Models F1 + F2 should be F4A
 For 100 - 120W Models F1 and F2 should be F3.15A

DRAWN	DEH
DATE	17/10/96
TITLE	120W/150W OUTPUT PCB
DRW. NO.	9115_3

ISSUE	3	3	3		
TYPE	LAYOUT CHANGE 22/01/97	R8 & R9 CHANGED FROM 2K2 TO 4K7 - 7/4/97 SEE CHANGE NOTE No.96	F1 and F2 Changed See Change Note 197		



Adjust PR1 for 5mV between points A+B. No signal and no load.

NOTE: FUSE VALUES FOR F1 & F2.
 100-120 WATT = F3.15A
 150 WATT = F4A

TMPF3819 N CH



S0692 PNP



BC857B PNP



TIP31 NPN



TIP32C PNP



BAS16



S0642 NPN



BC847B NPN



INDICATES SAFETY CRITICAL COMPONENT.
 MUST ONLY BE REPLACED WITH APPROVED COMPONENT.

FLAMEPROOF RESISTOR. MUST ONLY BE REPLACED WITH SAME TYPE AND RATING.

DRAWN	DEH
DATE	17/10/96
TITLE	100/120/150 OUTPUT
DRW. NO.	9115

ISSUE	3	3	4	4	
TYPE	LAYOUT CHANGE 22/01/97	R8 & R9 CHANGED FROM 2K2 TO 4K7 - 7/4/97 SEE CHANGE NOTE No.96	SPEAKER SPADE TERMINALS ADDED 08/04/98	1 off 220nF 100V ADDED ACROSS C19 P606S ONLY	