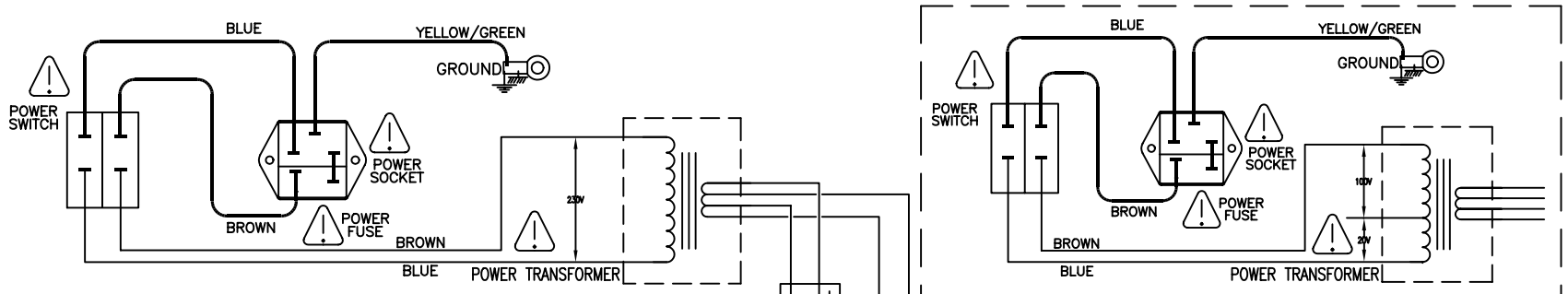
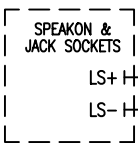
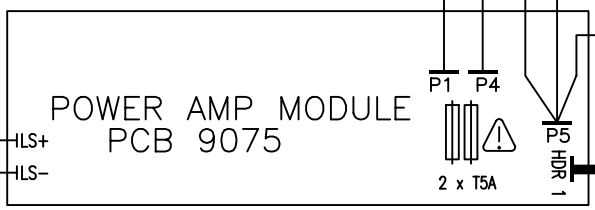
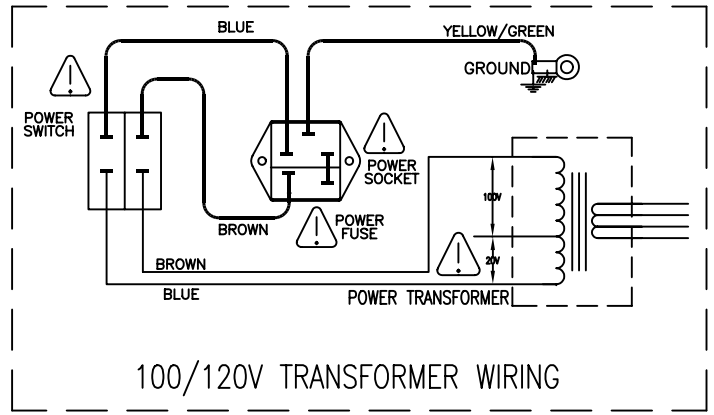


Laney

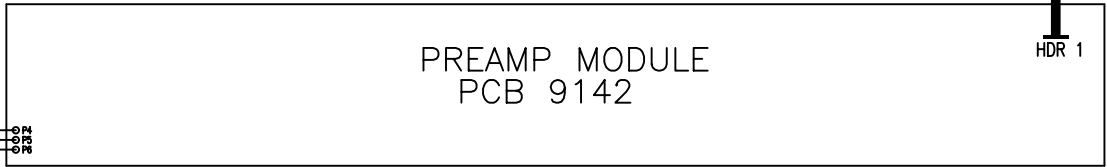
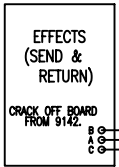
Service Diagrams



- ⚠ POWER FUSE @ 230V = T3.15A
- ⚠ POWER FUSE @ 115V = T6.3A
- ⚠ POWER TRANSFORMER @ 230V = 6107
- ⚠ POWER TRANSFORMER @ 115V = 6108



⚠ = ONLY REPLACE WITH SAME TYPE AND RATING

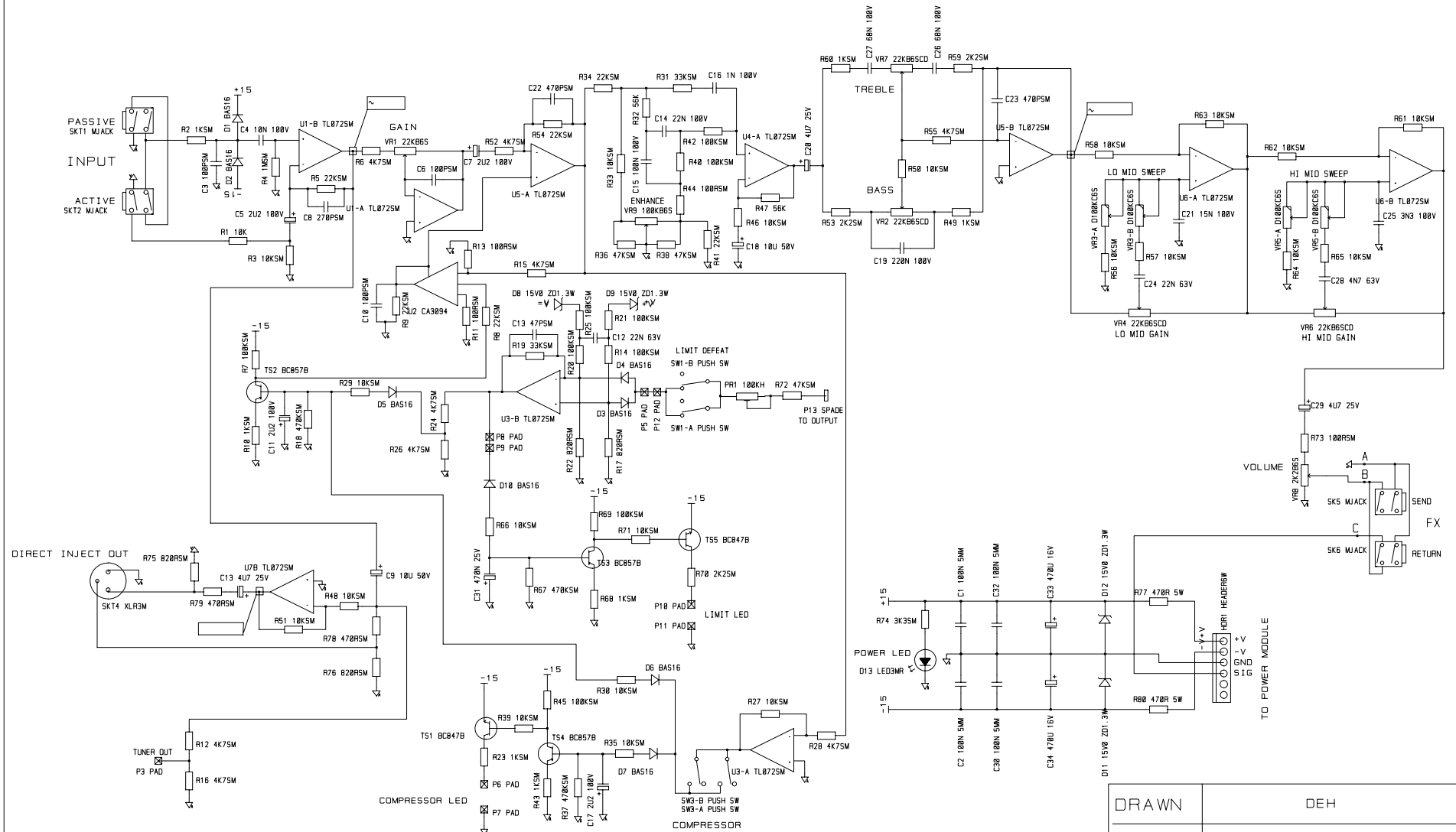


ISSUE	DESCRIPTION	APPD.	DATE

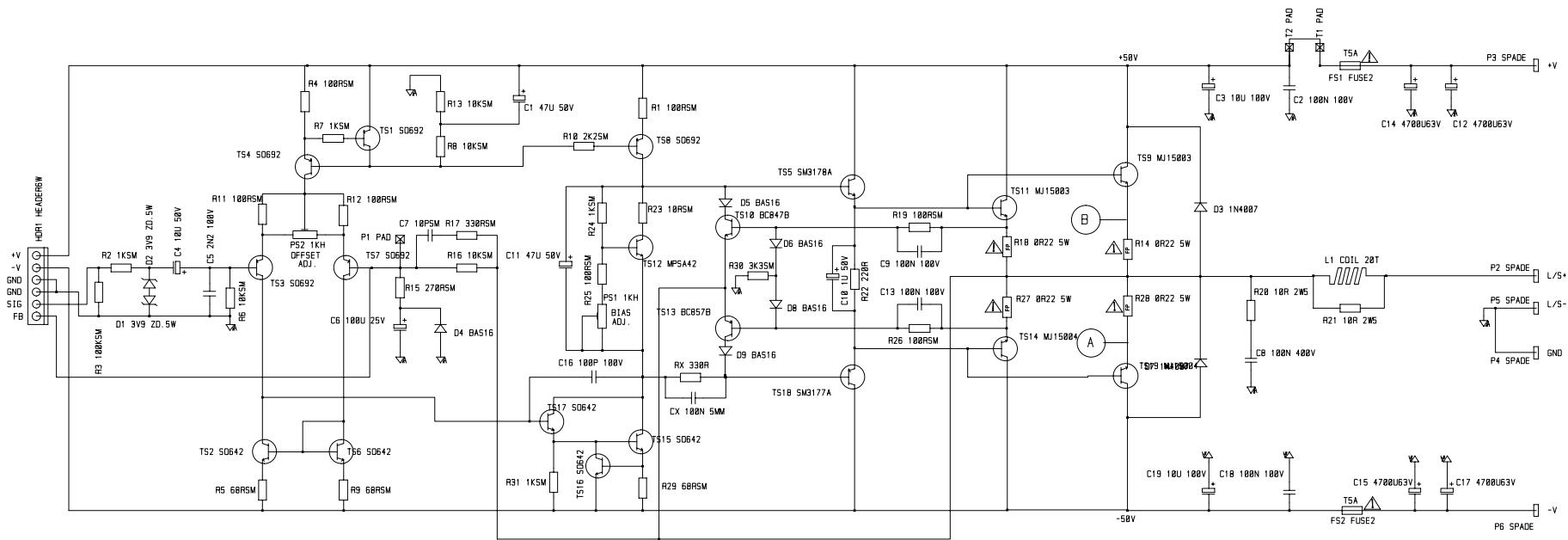
BLT
Industries Ltd.

TITLE
RBH800 SERVICE DIAGRAM PART No

DRAWN	TRACED	CHECKED	APPROVED	DATE
S.L.				16/4/98
DRAWING No.		2808		



DRAWN	DEH
DATE	23/01/98
TITLE	RBW300 PREAMP
DRW. NO.	9142_3



Adjust P51 for 5mV between A+B. No signal. No load.

▲ INDICATES SAFETY CRITICAL COMPONENT.
 MUST ONLY BE REPLACED WITH APPROVED COMPONENT.
 □ FLAMEPROOF RESISTOR. MUST ONLY BE REPLACED WITH SAME TYPE AND RATING.

DRAWN	DEH
DATE	05/02/96
TITLE	250W OUTPUT MODULE
DRW. NO.	9075_3

ISSUE		30/09/99	11/04/01		
TYPE	CHANGE R15 FROM 470R TO 220R 29/5/96	Rx and Tx added to reduce short circuit	Bias points A + B corrected		

Product	Description	Quantity	Price	Total
RBH800E	RBH800			
007480	RBH800	1.0000	0.0000	0.0000
002204	680NF 250V 22.9mm	3.0000	0.1020	0.3060
003009A	5mm LED CLIP	2.0000	0.0130	0.0260
003015	25A 400V BRIDGE	1.0000	0.6250	0.6250
005005	NEW TYPE MAINS SOCKET-UL	1.0000	0.4200	0.4200
005511	5MM SOLDER TAG	3.0000	0.0098	0.0294
005558	100mm TIE WRAP	17.0000	0.0025	0.0425
005665/CP	12mm KNOB C/P	9.0000	0.0400	0.3600
007390	9142/RBH800 PREAMP ASSY	1.0000	0.0000	0.0000
001014	10K .25W RESISTOR	1.0000	0.0025	0.0025
001040	56K .25W RESISTOR	2.0000	0.0025	0.0050
001300	ORO SHORTING LINK	11.0000	0.0015	0.0165
001303	100R 5% RESISTOR	4.0000	0.0015	0.0060
001304	820R 5% RESISTOR	4.0000	0.0015	0.0060
001305	2K2 5% RESISTOR	2.0000	0.0015	0.0030
001306	10K 5% RESISTOR	21.0000	0.0015	0.0315
001309	1M 5% RESISTOR	1.0000	0.0015	0.0015
001310	100K 5% RESISTOR	9.0000	0.0015	0.0135
001311	470R 5% RESISTOR	2.0000	0.0015	0.0030
001312	4K7 5% RESISTOR	7.0000	0.0015	0.0105
001315	47K 5% RESISTOR	3.0000	0.0015	0.0045
001316	22K 5% RESISTOR	8.0000	0.0015	0.0120
001326	3K3 5% RESISTOR	1.0000	0.0015	0.0015
001327	1K 5% RESISTOR	8.0000	0.0015	0.0120
001331	33K 5% RESISTOR	2.0000	0.0015	0.0030
001336	470K 5% RESISTOR	3.0000	0.0015	0.0045
001705	680R 5W RESISTOR	2.0000	0.1120	0.2240
001706	330R 5W RESISTOR	1.0000	0.1120	0.1120
001920	ZERO OHM RESISTOR	16.0000	0.0030	0.0480
002013	10UF 50V CAPACITOR	1.0000	0.0097	0.0097
002020	470UF 16V RADIAL	2.0000	0.0360	0.0720
002024	2.2UF 63V RADIAL	4.0000	0.0097	0.0388
002026	.47UF 63V RADIAL	1.0000	0.0091	0.0091
002027	4.7UF 63V RADIAL	3.0000	0.0097	0.0291
002200	220NF 100V 10MM	1.0000	0.0509	0.0509
002401	22NF 400V 10MM	1.0000	0.0268	0.0268
002407	15NF 400V 10MM	1.0000	0.0268	0.0268
002409	68NF 250V 10MM	2.0000	0.0500	0.1000
002414	1NF 100V 5mm	1.0000	0.0165	0.0165
002416	3.3NF 50V 5mm	1.0000	0.0165	0.0165
002417	4.7NF 100V 5mm	1.0000	0.0165	0.0165
002419	100NF 63V 5mm	5.0000	0.0165	0.0825
002420	22NF 100V 5mm	2.0000	0.0165	0.0330
002421	10NF 100V 5mm	1.0000	0.0165	0.0165
002602	47PF 50V 10% COG	1.0000	0.0085	0.0085
002603	100PF 50V 10% COG	3.0000	0.0075	0.0225
002604	270PF 50V 10% COG	1.0000	0.0075	0.0075
002605	470PF 50V 10% COG	2.0000	0.0085	0.0170
003009	5mm RED LED	1.0000	0.0216	0.0216
003012	5mm GREEN LED	1.0000	0.0175	0.0175
003014	15V 1.3W ZENER	4.0000	0.0161	0.0644
003033	3mm LED RED	1.0000	0.0300	0.0300
003500	BAS16 DIODE	8.0000	0.0094	0.0752
003503	BC847B TRANSISTOR	2.0000	0.0164	0.0328
003504	BC857B TRANSISTOR	3.0000	0.0164	0.0492
003508	34072 IC (SMD TL072)	5.0000	0.1290	0.6450
003916	CA3094E/CA3080E IC	1.0000	0.3500	0.3500
004029	100K HORIZ PRESET	1.0000	0.0392	0.0392
004061	6mm 22K LIN POT	1.0000	0.1600	0.1600
004063	6mm 2K2 LIN POT	1.0000	0.1600	0.1600
004071	6mm 100K LIN POT	1.0000	0.1600	0.1600
004075	6mm 100KC DUAL POT	2.0000	0.3150	0.6300
004099	22K LIN POT	4.0000	0.2200	0.8800
005002	MONO JACK SOCKET	2.0000	0.1240	0.2480
005017	2P 2W PUSH SWITCH	2.0000	0.1100	0.2200
005036	6 WAY LOCKING HEADER	1.0000	0.0355	0.0355
005038	1/4" SPADE TERMINAL	3.0000	0.0126	0.0378
005096	MONO JACK SOCKET-GOLD	2.0000	0.2540	0.5080
005503	7.5mm ROUND BLACK BUTTON	2.0000	0.0590	0.1180
005624	XLR SKT MALE 90DEG	1.0000	0.3500	0.3500
009142	RBW300 PREAMP	1.0000	2.3000	2.3000
009970	SOLDER COST e.50	1.0000	0.5000	0.5000
10004	MONO JACK SOCKET	1.0000	0.1240	0.1240
008605	BC250 OUTPUT	1.0000	0.0000	0.0000
001009	220R .25W RESISTOR	1.0000	0.0025	0.0025
001300	ORO SHORTING LINK	4.0000	0.0015	0.0060
001301	10R 5% RESISTOR	1.0000	0.0018	0.0018
001303	100R 5% RESISTOR	7.0000	0.0015	0.0105
001305	2K2 5% RESISTOR	1.0000	0.0015	0.0015
001306	10K 5% RESISTOR	4.0000	0.0015	0.0060
001310	100K 5% RESISTOR	1.0000	0.0015	0.0015
001320	220R 5% RESISTOR	1.0000	0.0020	0.0020
001322	180R 5% RESISTOR	1.0000	0.0015	0.0015
001323	68R 5% RESISTOR	2.0000	0.0018	0.0036
001326	3K3 5% RESISTOR	1.0000	0.0015	0.0015
001327	1K 5% RESISTOR	4.0000	0.0015	0.0060
001329	330R 5% RESISTOR	1.0000	0.0018	0.0018
001500	10R 2.5W RESISTOR	2.0000	0.0360	0.0720
001703	OR22 5W RESISTOR	4.0000	0.1120	0.4480
001920	ZERO OHM RESISTOR	2.0000	0.0030	0.0060
002000	10uF 100V RADIAL	2.0000	0.0141	0.0282
002004	47UF 50V RADIAL	2.0000	0.0155	0.0310
002006	4700UF 63V RADIAL	4.0000	0.7100	2.8400
002013	10UF 50V CAPACITOR	1.0000	0.0097	0.0097
002014	100UF 35V RADIAL	1.0000	0.0240	0.0240
002025	1UF 63V RADIAL	1.0000	0.0097	0.0097
002400	100NF 250V 10MM	4.0000	0.0290	0.1160
002410	100NF 400V 15MM	1.0000	0.0620	0.0620

CROSTER/RAPID

STERLING/TREMIVER

RAPID

Product	Description	Quantity	Price	Total
-002415	2.2NF 100V 5mm	1.0000	0.0165	0.0165
-002601	10PF 50V 10% COG	1.0000	0.0068	0.0068
-002817	100PF 100V CERAMIC	1.0000	0.0046	0.0046
-003000	1N4007 DIODE	2.0000	0.0059	0.0118
-003007	3V9 .5W ZENER DIODE	2.0000	0.0082	0.0164
-003411	MPSA42/43 TRANSISTOR	1.0000	0.0270	0.0270
-003500	BAS16 DIODE	5.0000	0.0094	0.0470
-003501	SO642 TRANSISTOR	5.0000	0.0200	0.1000
-003502	SO692 TRANSISTOR	5.0000	0.0200	0.1000
-003503	BC847B TRANSISTOR	1.0000	0.0164	0.0164
-003504	BC857B TRANSISTOR	1.0000	0.0164	0.0164
-003800	MJ15003 TRANSISTOR	2.0000	0.9800	1.9600
-003801	MJ15004 TRANSISTOR	2.0000	1.2000	2.4000
-003802	SM3178A TRANSISTOR	1.0000	0.6300	0.6300
-003804	SM3177A TRANSISTOR	1.0000	0.6300	0.6300
-004000	1K HORIZ PRESET	2.0000	0.0450	0.0900
-005006	20 TURN COIL	1.0000	0.1500	0.1500
-005007	TO3 HARDWARE WASHER	4.0000	0.0650	0.2600
-005007A	TO3 LONG BUSH	8.0000	0.0253	0.2024
-005008	TV125 FLAT HEATSINK	1.0000	0.1700	0.1700
-005018	100oC THERMAL TRIP	1.0000	0.6000	0.6000
-005022	PCB FUSE CARRIER	2.0000	0.0360	0.0720
-005036	6 WAY LOCKING HEADER	1.0000	0.0355	0.0355
-005038	1/4" SPADE TERMINAL	5.0000	0.0126	0.0630
-005510	3MM SOLDER TAG	4.0000	0.0094	0.0376
-005531	20mm T5A FUSE	2.0000	0.0590	0.1180
-009075	250W OUTPUT MODULE	1.0000	2.3300	2.3300
-009151	3mm INT SHAKEPROOF	8.0000	0.0016	0.0128
-009155	3*16mm PAN POZI	8.0000	0.0053	0.0424
-009971	SOLDER COST e.75	1.0000	0.7500	0.7500
-588006	POP RIVET (BLACK)	2.0000	0.0221	0.0442
-8P-8538	BC250 ANGLED	1.0000	0.0000	0.0000
-79051	ALUMINIUM SECTION *	153.0000	0.0090	1.3770
-8M-8538	BC250 Angled Extrusion	1.0000	1.3900	1.3900
-8AN-8538	250W H/SINK BRKT	1.0000	0.3850	0.3850
-009161	4mm INT. SHAKEPROOF	7.0000	0.0018	0.0126
-009163	4*20mm PAN POZI	5.0000	0.0060	0.0300
-009171	M5 INT SHAKEPROOF WASHER	2.0000	0.0018	0.0036
-009173	5*12mm PAN POZI ZINC	1.0000	0.0080	0.0080
-009181	5mm BRASS HEX NUT	1.0000	0.0080	0.0080
-009187	NO.8 SPIRE FASTENER	6.0000	0.0188	0.1128
-009189	5mm CAGE NUT	6.0000	0.0313	0.1878
-009190	6 WAY END CONNECTOR	4.0000	0.1390	0.5560
-009204	NO 4*1/4 PLASTITE	2.0000	0.0086	0.0172
-009229	8*3/8 FH POZI	6.0000	0.0056	0.0336
-009233	POP RIVET 4*7	1.0000	0.0106	0.0106
-10004	MONO JACK SOCKET	3.0000	0.1240	0.3720
-530027	DPST EQ MAINS SWITCH	1.0000	0.2500	0.2500
-530066	SPEAKON SOCKET	1.0000	0.8148	0.8148
-540021	20mm T3.15A FUSE	1.0000	0.0500	0.0500
-540038	EARTH WARNING LABEL	1.0000	0.0345	0.0345
-541004	HC25/50 4.8 FASTON	5.0000	0.0216	0.1080
-541051	1/4" SML RECEPTACLE	8.0000	0.0340	0.2720
-541054	INSULATION BOOT CLEAR	8.0000	0.0135	0.1080
-541071	POZI LOCK NYLON BOOT	3.0000	0.0227	0.0681
-586003	M8 * 60 COACH BOLT	1.0000	0.0858	0.0858
-586022	8MM FLAT TX WASHER ZINC	1.0000	0.0084	0.0084
-586023	8mm SHKPRF WASHER	1.0000	0.0053	0.0053
-588006	POP RIVET (BLACK)	4.0000	0.0221	0.0884
-8P-8539	BC250 HEATSINK EXTR	2.0000	0.0000	0.0000
-79102	WORLD SERIES EXTRUSION	0.6588	3.0750	2.0258
-8M-8539	BC250 World Series Extrusion	2.0000	0.5800	1.1600
-8AN-8539	BC250 HEATSINK	2.0000	0.3520	0.7040
-8P-8759	RBH800 FACIA	1.0000	0.0000	0.0000
-79003	ZINTEC SHEET/1Mx1Mx1.2MM	0.0555	4.5000	0.2498
-8M-8759	RBH800 Facia	1.0000	2.0000	2.0000
-8PC-8759	RBH800 FACIA	1.0000	0.7000	0.7000
-8SP-8759	RBH800 FACIA	1.0000	0.4500	0.4500
-8P-8762	RBH700/800 BASE	1.0000	0.0000	0.0000
-79020	ZINTEC SHEET/1Mx0.65Mx1.6MM	0.3333	3.3700	1.1232
-8M-8762	RBH Head Chassis	1.0000	1.9700	1.9700
-8P-8764	RBH800 REAR	1.0000	0.0000	0.0000
-79021	ZINTEC SHEET/1Mx0.75Mx1.6MM	0.1250	3.8900	0.4863
-8M-8764	RBH800 Rear	1.0000	2.5000	2.5000
-8PC-8764	RBH800 REAR	1.0000	0.9000	0.9000
-8SP-8764	RBH800 REAR	1.0000	0.6000	0.6000
-8T-6107	EURO CR300 T/X	1.0000	0.0000	0.0000
-008004	HI-POT LABEL	1.0000	0.0196	0.0196
-71000	CORE 6028/VX300	1.1000	4.5900	5.0490
-72004	COPPER WIRE 0.85	0.4857	2.4500	1.1900
-72005	COPPER WIRE 1.32 DIA	0.4653	2.0500	0.9539
-73000	POLYESTER MYLAR 13MM	34.9800	0.0056	0.1959
-73002	CLEAR ADHESIVE TAPE	3.0000	0.0102	0.0306
-73006	100MM CABLE TIES	2.0000	0.0025	0.0050
-74021	1.5 BROWN SLEEVING	0.4000	0.0414	0.0166
-74023	1.5 BLUE SLEEVING	0.4000	0.0414	0.0166
-74040	2.0 BLACK SLEEVING	0.3200	0.0745	0.0238
-74045	2.0 YELLOW SLEEVING	0.3200	0.0475	0.0152
-74046	2.0 WHITE SLEEVING	0.3200	0.0516	0.0165
-74047	2.0 ORANGE SLEEVING	0.3200	0.0516	0.0165
-75004	POTTING COMPOUND	0.2000	1.8500	0.3700
-75010	3.5*1.5 AVERY LABEL	1.0000	0.0036	0.0036
-74070	10mm BLACK SLEEVING	0.0800	0.0148	0.0012
-74075	12mm BLACK SLEEVING	0.0700	0.0209	0.0015
-75002/A	120MM x 3MM THICK	1.0000	0.1400	0.1400
-10702	SPECIAL MAINS LEAD	1.0000	1.0000	1.0000
-10926	RBW SERIES MANUAL 6/PAGE	1.0000	0.1850	0.1850
-20434	RBH800 CABINET	1.0000	0.0000	0.0000
-10039	CORNER PENN P/N.C1839K	6.0000	0.1600	0.9600
-10055	PLASTIC CABINET FOOT	4.0000	0.0520	0.2080
-10057	SMALL LANEY BADGE	1.0000	0.1725	0.1725

Product	Description	Quantity	Price	Total
-10100	STRAP HANDLE	1.0000	0.3330	0.3330
-10200	M5 x 10mm TEENUT	2.0000	0.0233	0.0466
-10202	5MM x 25MM CSK POZI SCREW	2.0000	0.0106	0.0212
-10224	35mm FINISHED NAIL	20.0000	0.0012	0.0240
-10231	No8x1/2" FLANGE POZI	20.0000	0.0085	0.1700
-10233	M5*30 FLANGE POZI BK	8.0000	0.0158	0.1264
-10240	10 * 1 CSK POZI	4.0000	0.0066	0.0264
-10243	NO4*1/2 TYPE B CSK	2.0000	0.0096	0.0192
-10244	FLAT SPIRE CLIP	2.0000	0.0244	0.0488
-10301	18mm CHIPBOARD	0.2500	4.5000	1.1250
-10316	GRANITE VYNHYDE-BLACK	0.5000	1.1379	0.5690
-10414	RBH700/800 CARTON 29927	1.0000	1.7250	1.7250
-10600	32/18 STAPLE	12.0000	0.0011	0.0132
-10621	POLY. BAG 30(0) X 36	1.0000	0.0924	0.0924
-10980	GLUE/PAINT COST .75	1.0000	0.7500	0.7500
-8G-RBHEAD	GRILL RBHEAD	1.0000	0.0000	0.0000
-79063	RICHTER MESH	0.0470	11.7500	0.5523
-8M-RBGHEAD	Mesh	1.0000	1.7700	1.7700
-8PCG-RBHEAD	GRIL RBHEAD	1.0000	0.2500	0.2500
-8P-8733	RICHTER VENT	1.0000	0.0000	0.0000
-79003	ZINTEC SHEET/1Mx1Mx1.2MM	0.0230	4.5000	0.1035
-8PC-8733	RBW100 VENT	1.0000	0.3000	0.3000
-8M-8733	Vent	1.0000	0.4000	0.4000

65.6630