

Laney

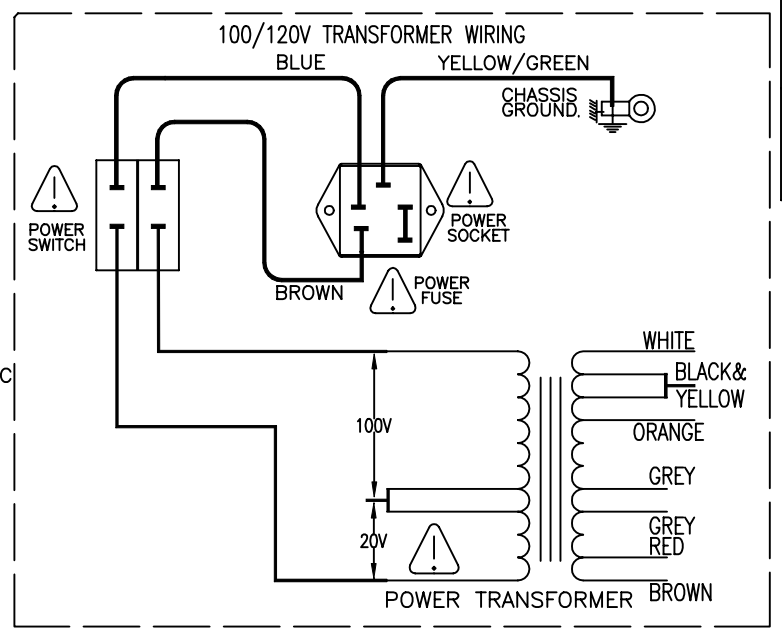
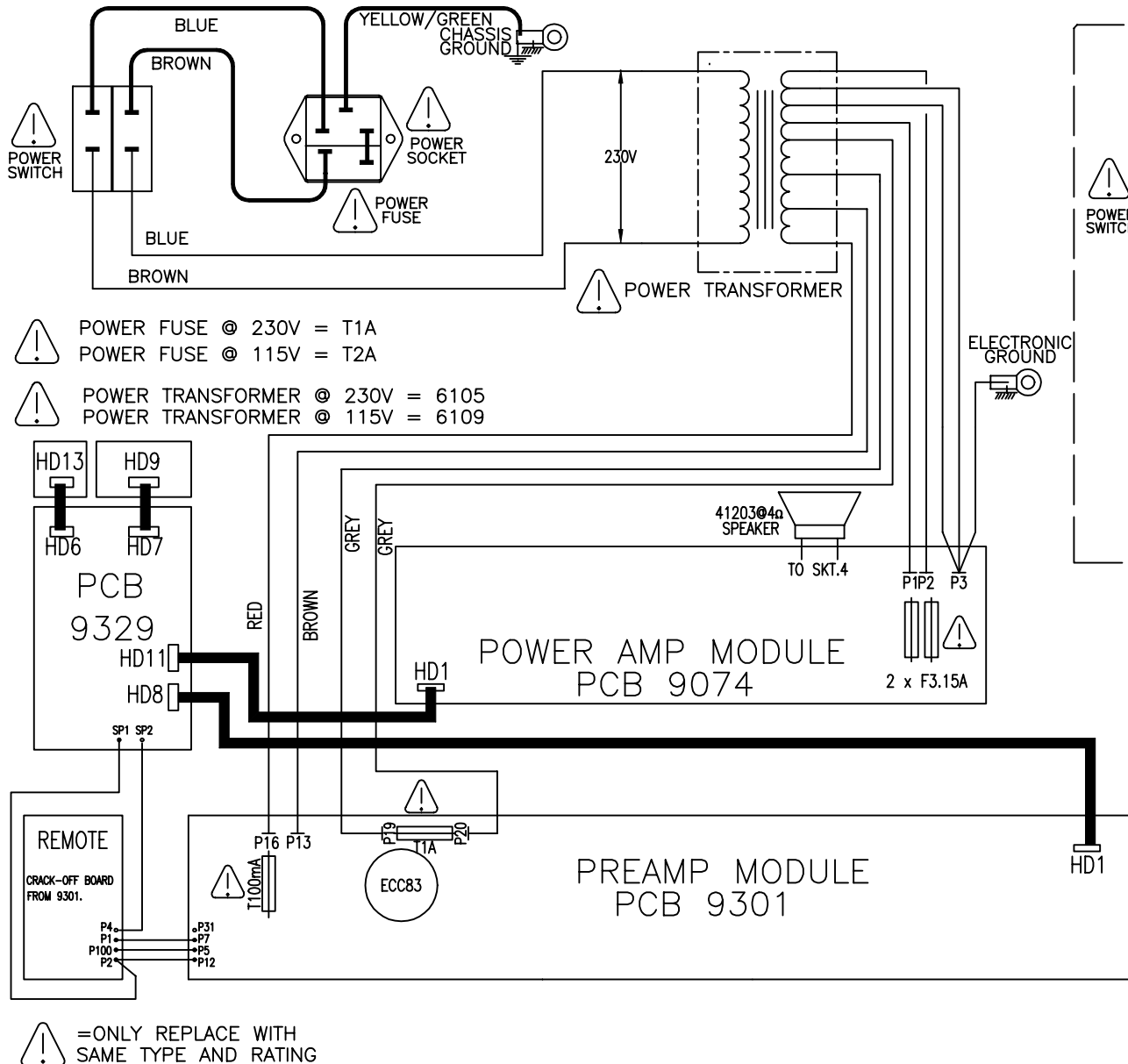
TFX200 Service Information

Part Number - SM3114

Laney

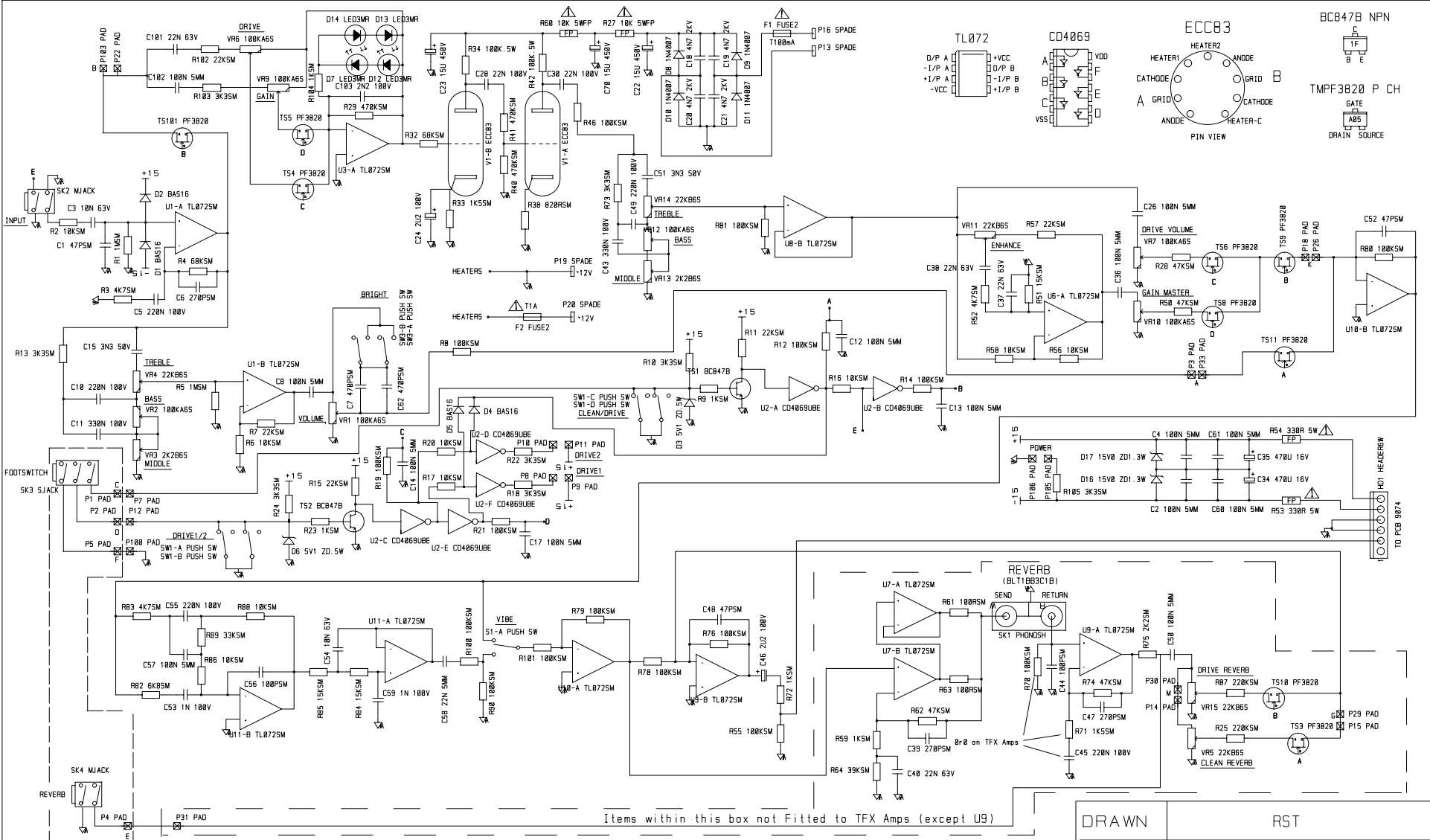
Contents

- 1. Dwg 3108 TFX200 service diagram**
- 2. Dwg 9301 TFX200 Preamp circuit diagram**
- 3. Dwg 9074 TFX200 Output circuit diagram**
- 4. Dwg 9329 Effects Control board circuit**



DWG.No. 3108

ISSUE	DESCRIPTION	APPD.	DATE	TITLE	DRAWN	TRACED	CHECKED	APPROVED	DATE
				BLT <i>Industries Ltd.</i>	TFX200 SERVICE DIAGRAM PART No	R.J.F			11/05/00
						DRAWING No.	3108		

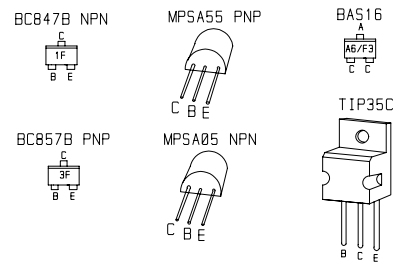
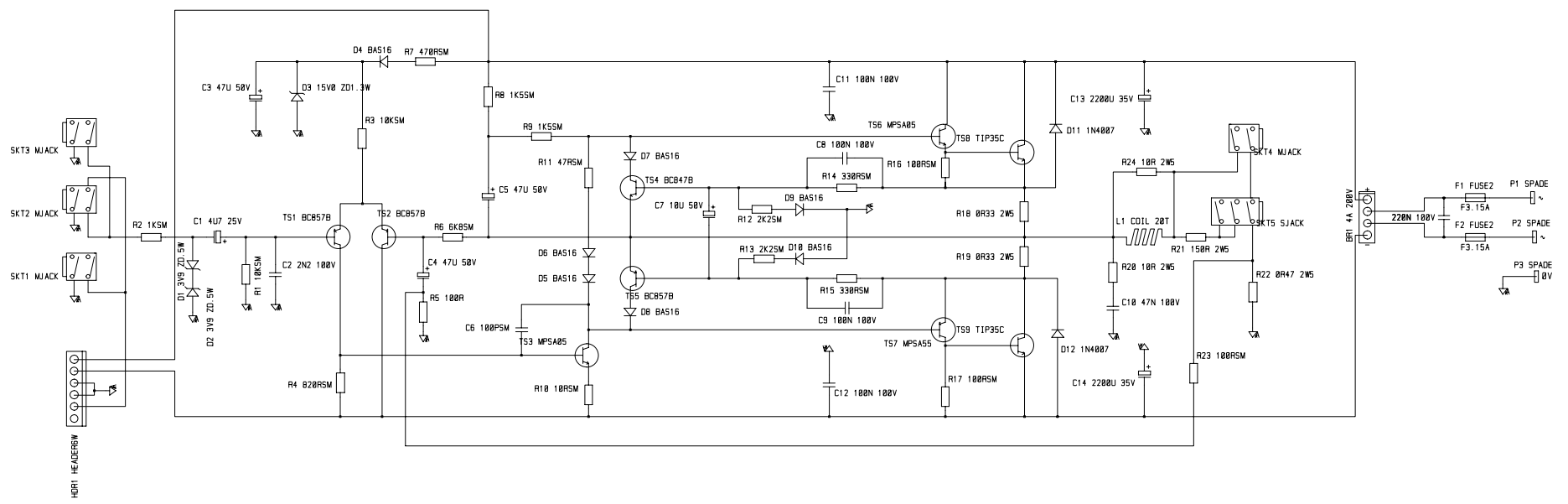


Items within this box not Fitted to TFX Amps (except U9)

⚠ INDICATES SAFETY CRITICAL COMPONENT
MUST ONLY BE REPLACED WITH APPROVED TYPE
⚡ FLAMEPROOF RESISTOR MUST ONLY BE REPLACED WITH SAME TYPE AND RATING

DRAWN	RST
DATE	24/3/99
ISSUE	ISSUE 5 15/05/00
TITLE	TUBE FUSION TF200/TFX200
DRW. NO.	9301

ISSUE	BOARD ISSUE 3	ISSUE 3	ISSUE 4	ISSUE 5	ISSUE 5 15/05/00
TYPE	BRIGHT FREQUENCY ADJUSTED SEE CHANGE NOTE 153 26/06/98	R104 CHANGED FROM 10K TO 1K. SEE CHANGE NOTE 172 27/8/98	NOT RELEASED TO PRODUCTION	TS101 ADDED, 24/3/99 REFER TO CHANGE NOTE 248	Updated to include changes for use in TFX amps



DRAWN	DEH
DATE	15/3/99
TITLE	50-65W OUTPUT MODULE
DRW. NO.	9074_2

NOTE: - BASS VERSION R5=220R R22=LINK C13/14=3300U

ISSUE	Issue 2 14/03/2000				
TYPE	220nF 100V Cap added across secondary fuses before the bridge on underside of PCB.				

