

Laney

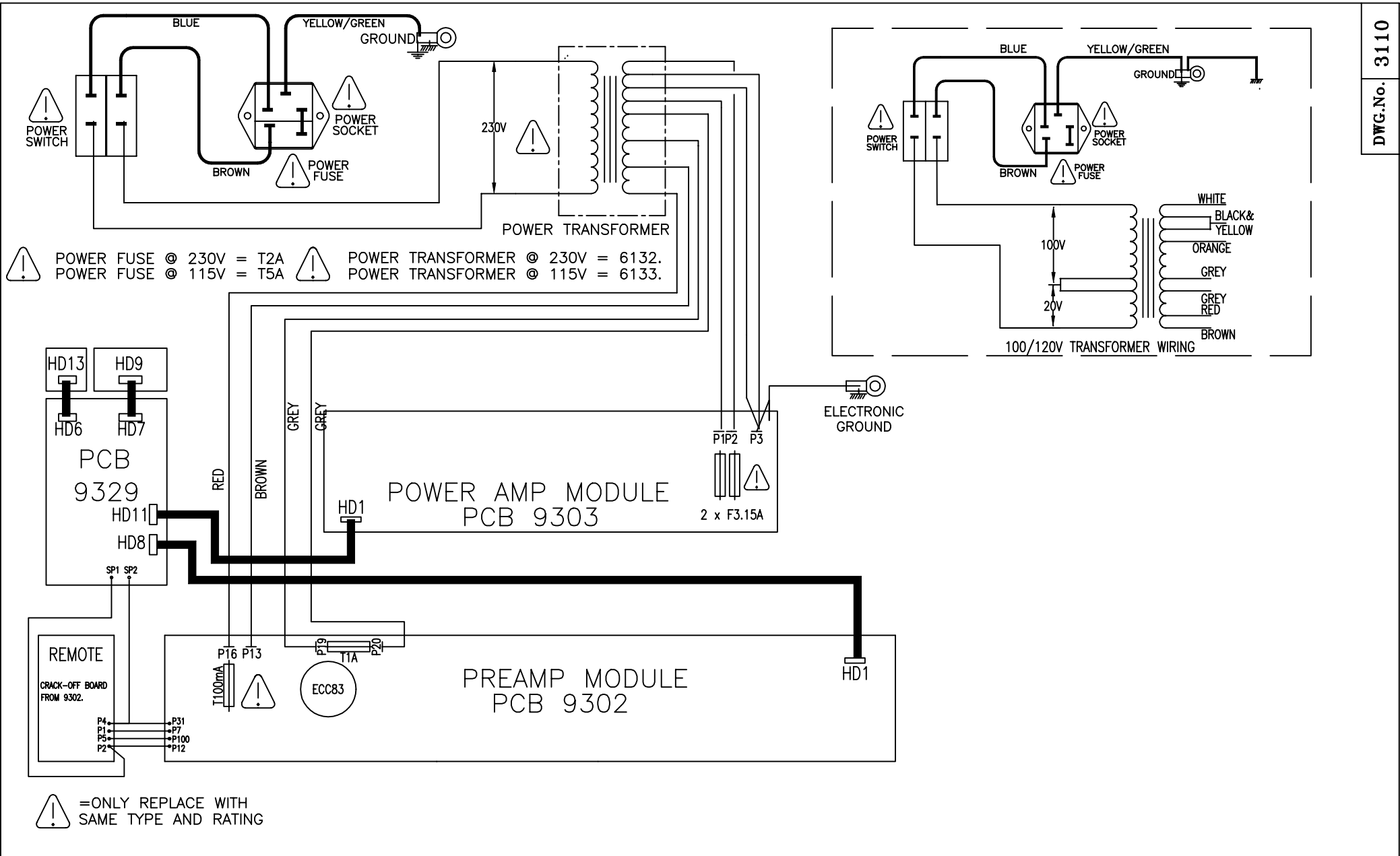
TFX700 Service Information

Part Number - SM3116

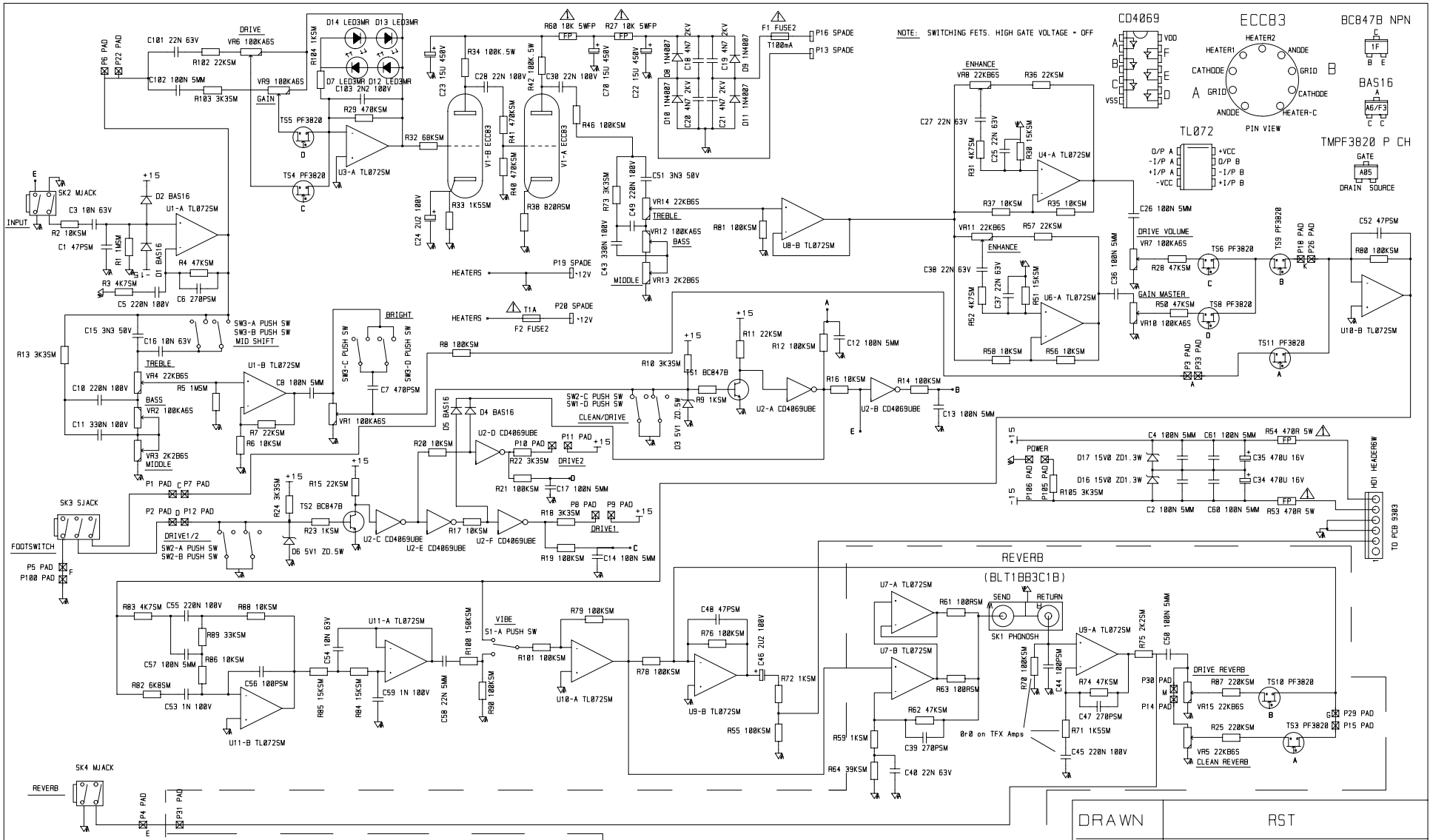
Laney

Contents

- 1. Dwg 3110 TFX700 service diagram**
- 2. Dwg 9302 TFX700 Preamp circuit diagram**
- 3. Dwg 9303 TFX700 Output circuit diagram**
- 4. Dwg 9329 Effects Control board circuit**



ISSUE	DESCRIPTION	APPD.	DATE	TITLE	DRAWN	TRACED	CHECKED	APPROVED	DATE
				BLT <i>Industries Ltd.</i>	TFX700 SERVICE DIAGRAM PART No	R.J.F			12/05/00
						DRAWING No.	3110		



▲ INDICATES SAFETY CRITICAL COMPONENT
 MUST ONLY BE REPLACED WITH APPROVED TYPE
 [FP] FLAMEPROOF RESISTOR MUST ONLY BE REPLACED WITH SAME TYPE AND RATING

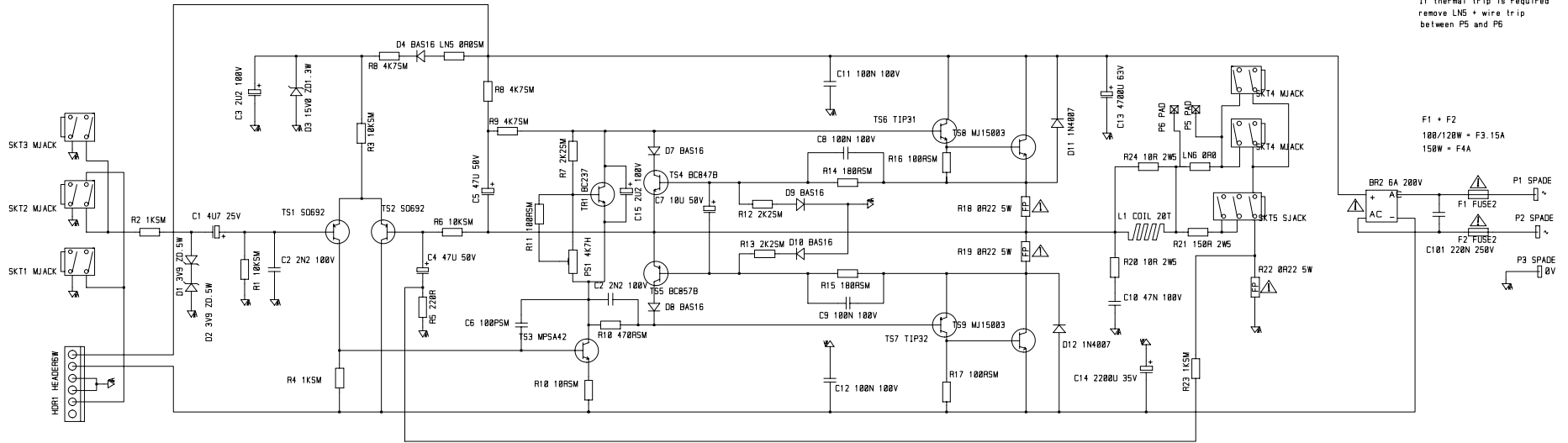
Parts within box are omitted on TFX amps - except U9

DRAWN RST
 DATE 23/4/99

ISSUE	BOARD ISSUE 3 02/07/98	ISSUE 3	ISSUE 4	ISSUE 5	ISSUE 5 15/05/00	TITLE	TUBE FUSION TF300/TF320/TF700 TUBE FUSION TFX300/TFX320/TFX700
TYPE	C65 ADDED PRODUCTION CHANGES REFER NOTE 163	R104 CHANGED FROM 10K TO 1K SEE CHANGE NOTE 172 27/8/98	NOT RELEASED TO PRODUCTION 26/3/99	DRIVE SWITCHING CHANGED TO ELIMINATE LEAKAGE 23/4/99 R4 FROM 68K TO 47K	Updated to include changes for use in TFX Amplifiers	DRW. NO.	9302_5

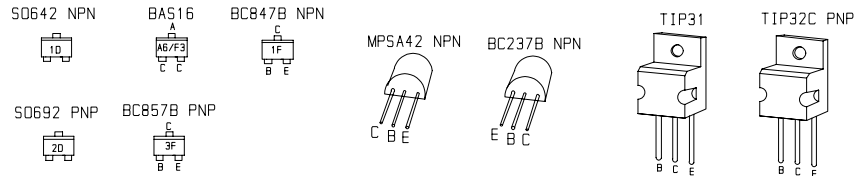
⚠ INDICATES SAFETY CRITICAL COMPONENT
 MUST ONLY BE REPLACED WITH APPROVED COMPONENT.
 [FP] FLAMEPROOF RESISTOR.
 MUST ONLY BE REPLACED WITH SAME TYPE AND RATING.

If thermal trip is required
 remove LNS + wire trip
 between P5 and P6



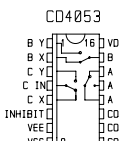
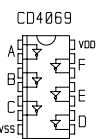
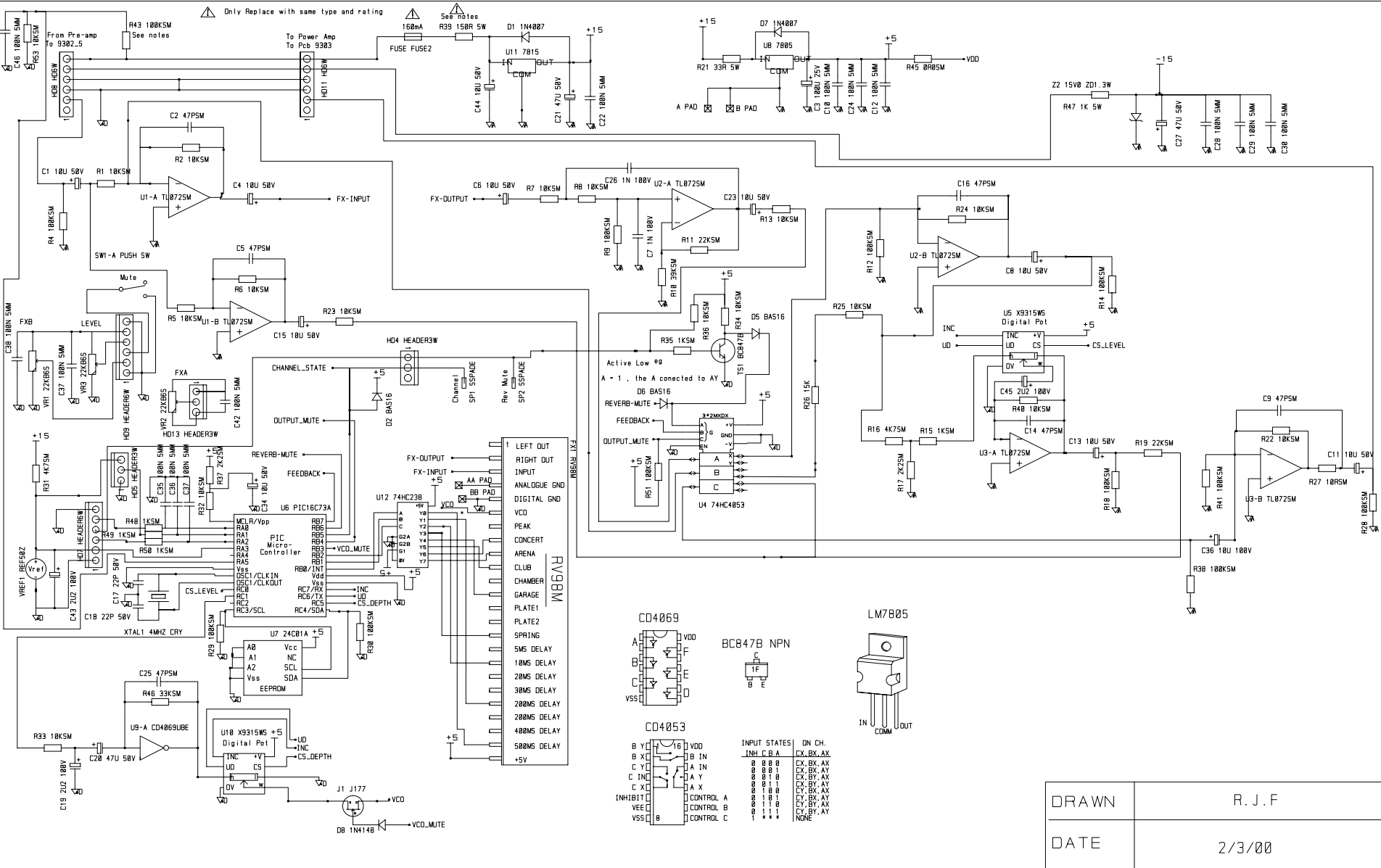
F1 + F2
 100V/120W - F3. 15A
 150W - F4A

BR2 6A 200V
 AC
 F1 FUSE2
 F2 FUSE2
 C101 220N 250V
 P1 SPADE
 P2 SPADE
 P3 SPADE 0V

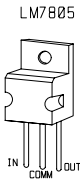


DRAWN	R. J. F
DATE	11/3/99
TITLE	100-150W OUTPUT MODULE
DRW. NO.	9303_2

ISSUE	30/9/98 ISSUE 2	22/02/99			
TYPE	R5 FROM 100R TO 220R R23 FROM 100R TO 1K SEE CHANGE NOTE 186	R22 from 0r47 to 0r22 5WFP			



INPUT STATES	ON CH.
INH C B A	CX BX AX
0 0 0 0	CX BX AX
0 0 0 1	CX BX AY
0 0 1 0	CX BY AX
0 0 1 1	CX BY AY
0 1 0 0	CY BX AX
0 1 0 1	CY BX AY
0 1 1 0	CY BY AX
0 1 1 1	CY BY AY
1 * * *	NONE



DRAWN	R. J. F
DATE	2/3/00
TITLE	Guitar Reverb Board
DRW. NO.	9329_7

ISSUE	TFX200 notes	Issue 7			
TYPE	R39 = 75r 5W on TFX200 R43 = 68k on TFX200	150r 11W changed to 5W R47 changed to 1K 5W Fuse added			