

# ***TT50H***

# ***Service Information***

**Laney**  
*Classic British Amplification*

**Newlyn Road, Cradley Heath, West Midlands. B64 6BE**  
**[www.laney.co.uk](http://www.laney.co.uk)**

# **TT50H**

# **Service Information**

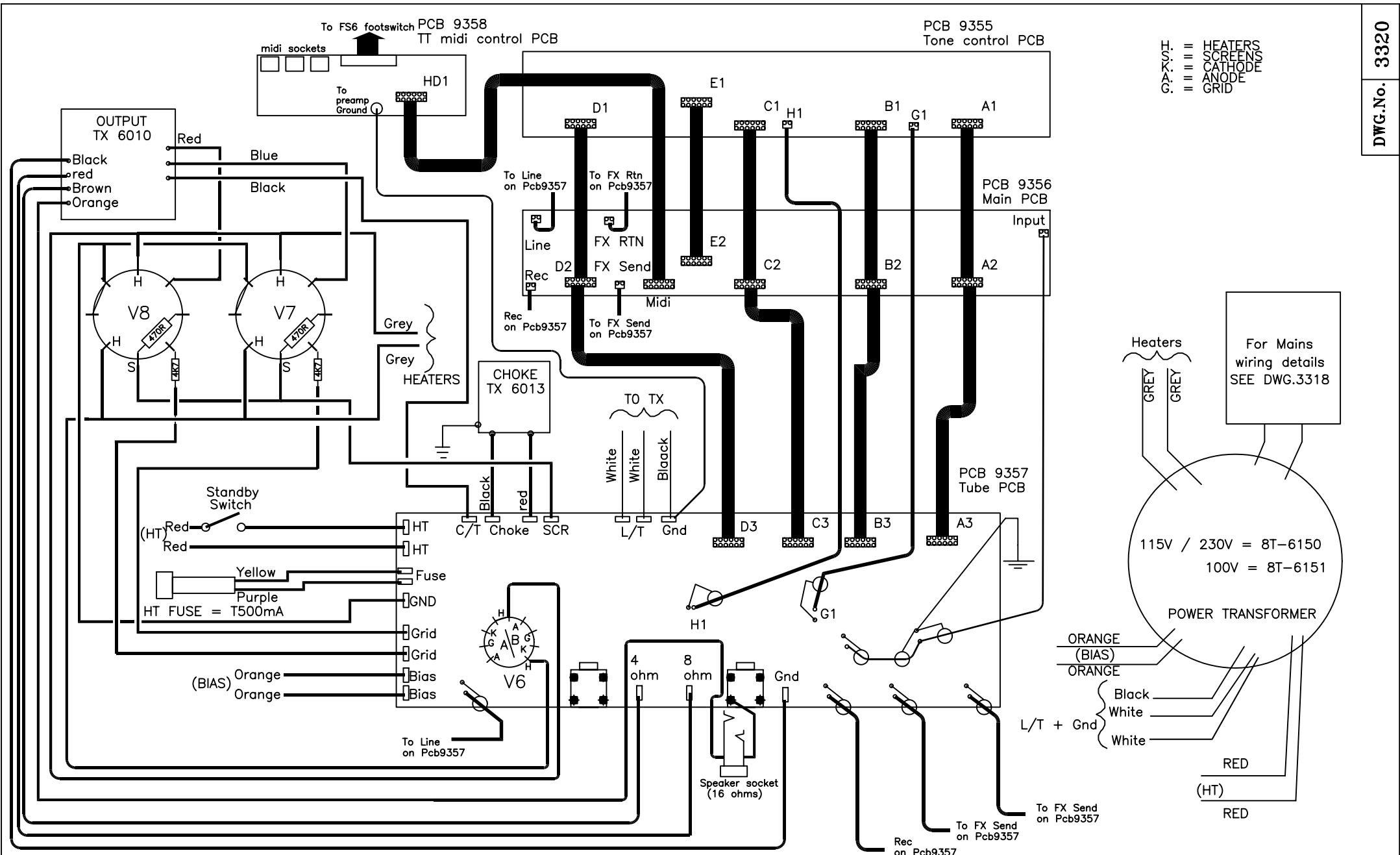
## **Contents**

- 1. Contents**
- 2. TT50H Schematic drawing**
- 3. TT50H Mains wiring**
- 4. Tone Control Pcb - 9355 issue 3**
- 5. Tone Control Pcb - 9355 issue 4**
- 6. Main Preamp Pcb - 9356 issue 3**
- 7. Main preamp Pcb - 9356 issue 4**
- 8. Tube Pcb - 9357 issue 3**
- 9. Tube Pcb - 9357 issue 4**
- 10. TT midi Pcb - 9358 issue 4**

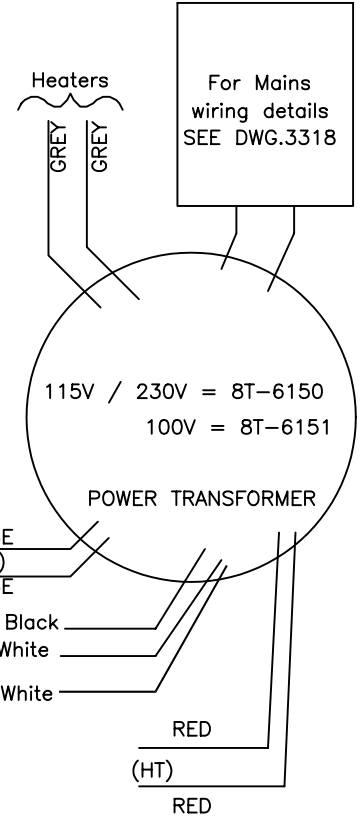
# **Laney**

*Classic British Amplification*

**Newlyn Road, Cradley Heath, West Midlands. B64 6BE**  
**[www.laney.co.uk](http://www.laney.co.uk)**



I. HEATERS  
 >>> SCREENS  
 >>> CATHODE  
 >>> ANODE  
 >>> GRID

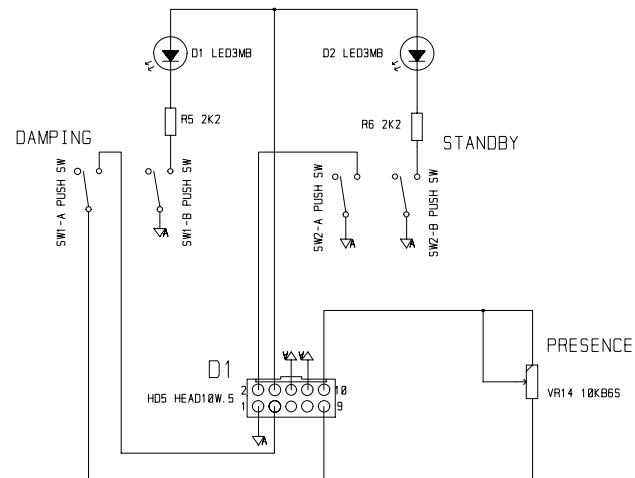
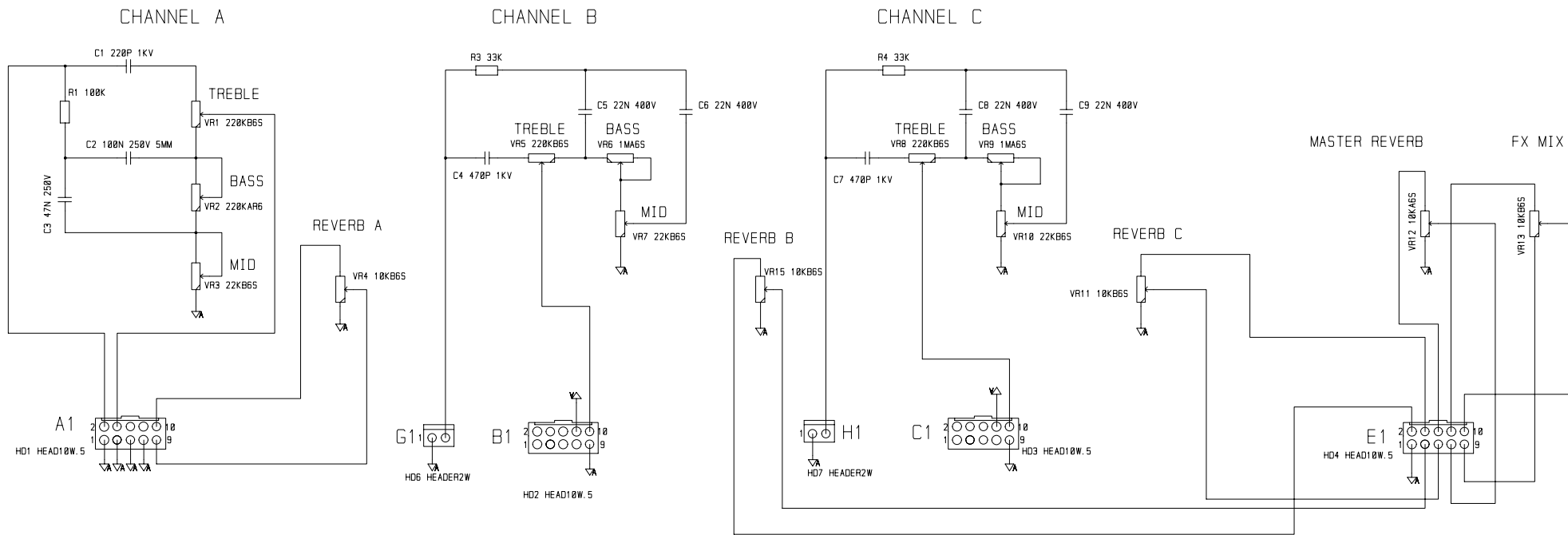


DWG.No. 3320

| ISSUE | DESCRIPTION | APPD. | DATE | TITLE  | DRAWN       | TRACED | CHECKED | APPROVED | DATE   |
|-------|-------------|-------|------|--|-------------|--------|---------|----------|--------|
|       |             |       |      | <b>BLT Industries Ltd.</b><br>TT50H Schematic Diagram<br>PART No | R.J.F       |        |         |          | 25/4/2 |
|       |             |       |      |  | DRAWING No. |        | 3320    |          |        |

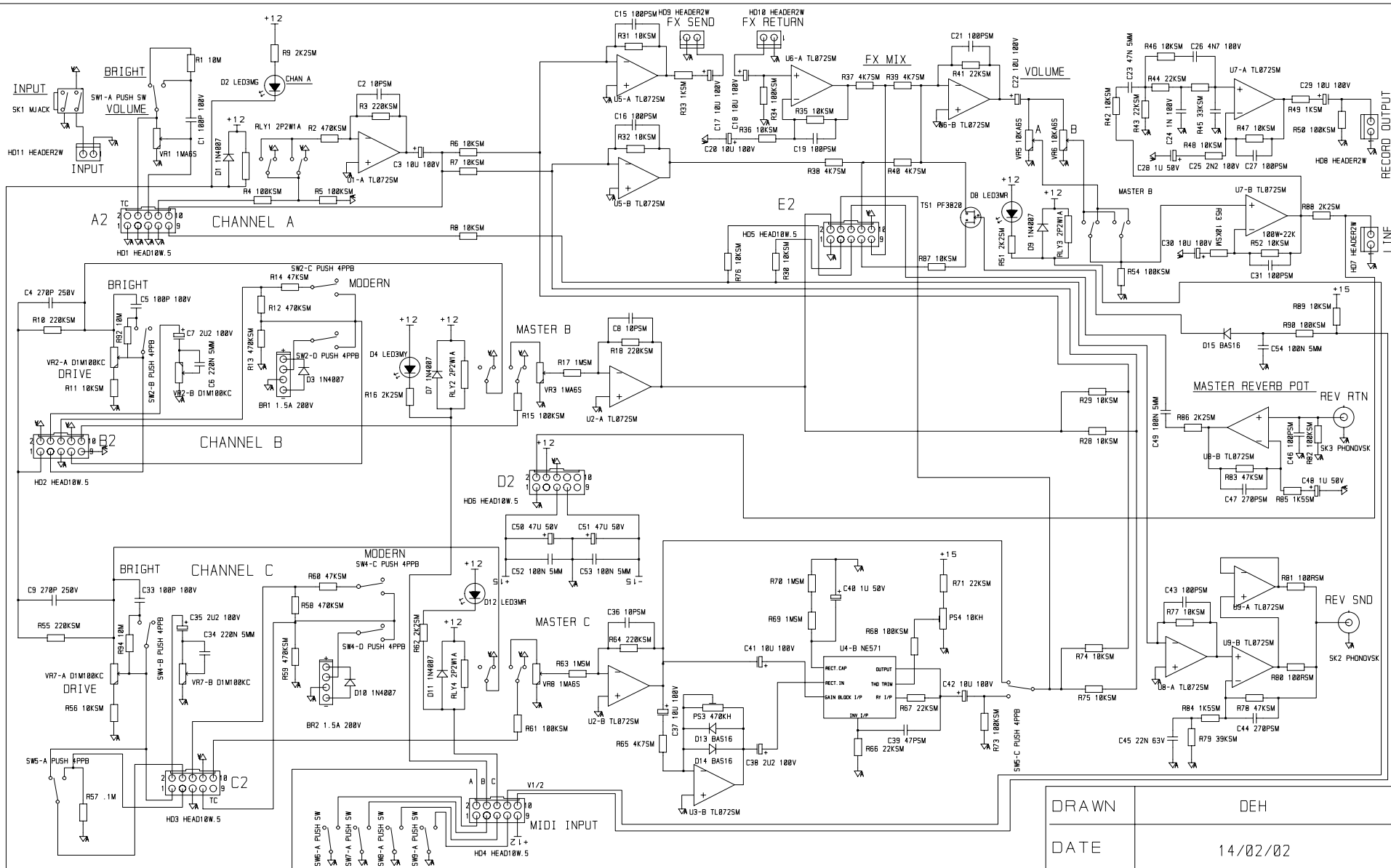






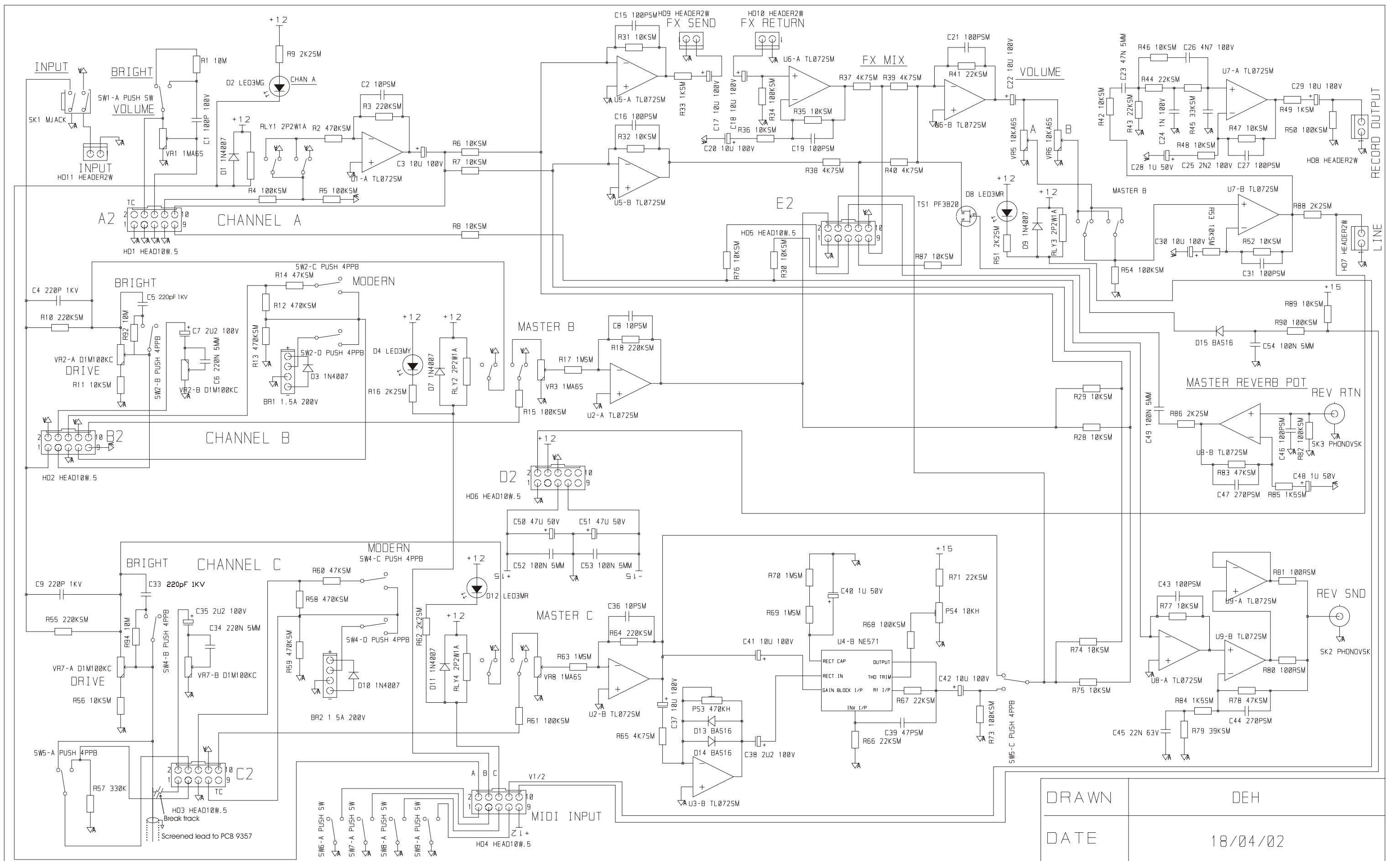
|          |                     |
|----------|---------------------|
| DRAWN    | DEH                 |
| DATE     | 17/04/02            |
| TITLE    | TT50/100 TONE BOARD |
| DRW. NO. | 9355_4              |

|       |  |  |  |  |  |  |  |
|-------|--|--|--|--|--|--|--|
| ISSUE |  |  |  |  |  |  |  |
| TYPE  |  |  |  |  |  |  |  |



|          |                      |
|----------|----------------------|
| DRAWN    | DEH                  |
| DATE     | 14/02/02             |
| TITLE    | TT50/100 MAIN PREAMP |
| DRW. NO. | 9356.13              |

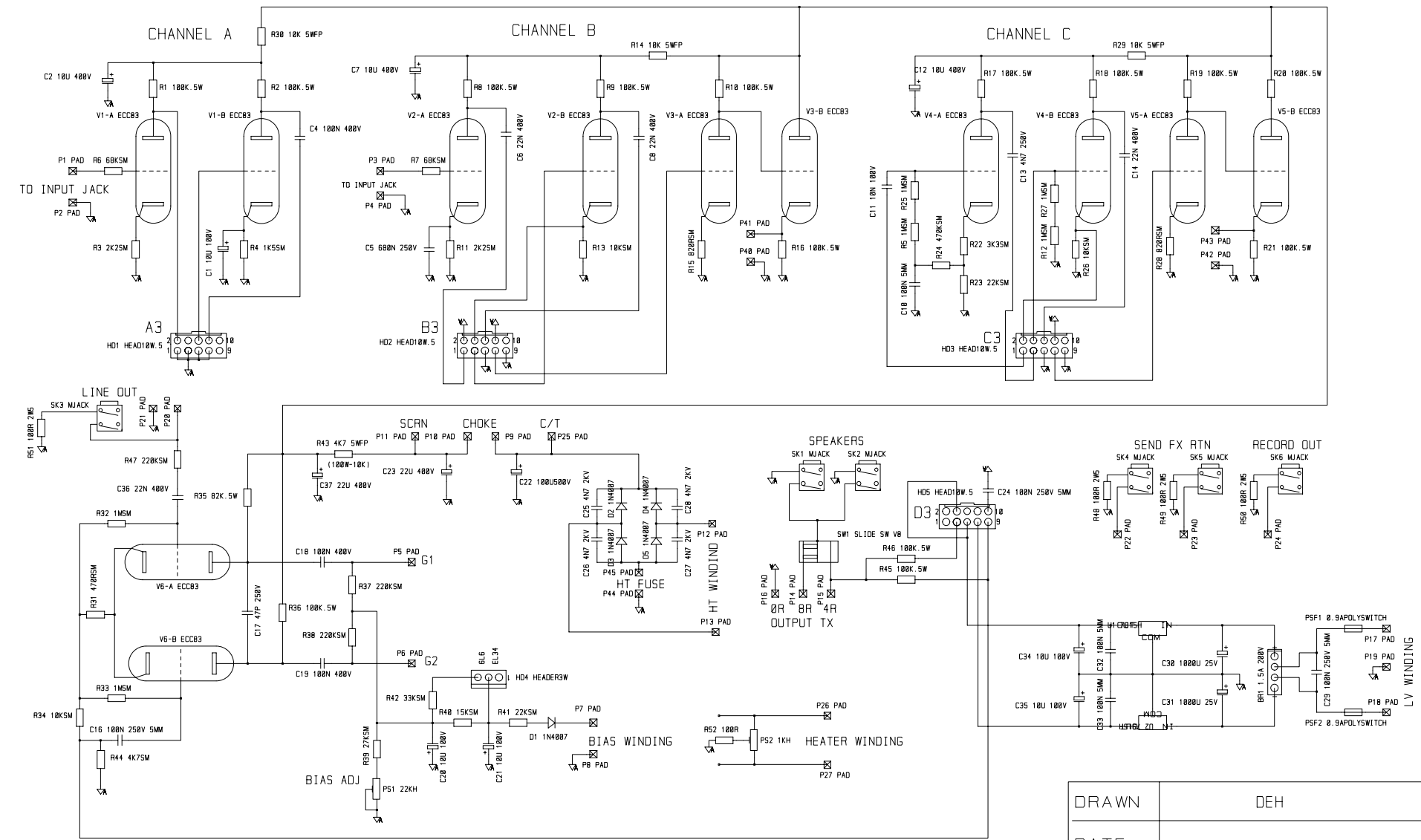
|       |  |
|-------|--|
| ISSUE |  |
| TYPE  |  |



|          |                      |
|----------|----------------------|
| DRAWN    | DEH                  |
| DATE     | 18/04/02             |
| TITLE    | TT50/100 MAIN PREAMP |
| DRW. NO. | 9356_4               |

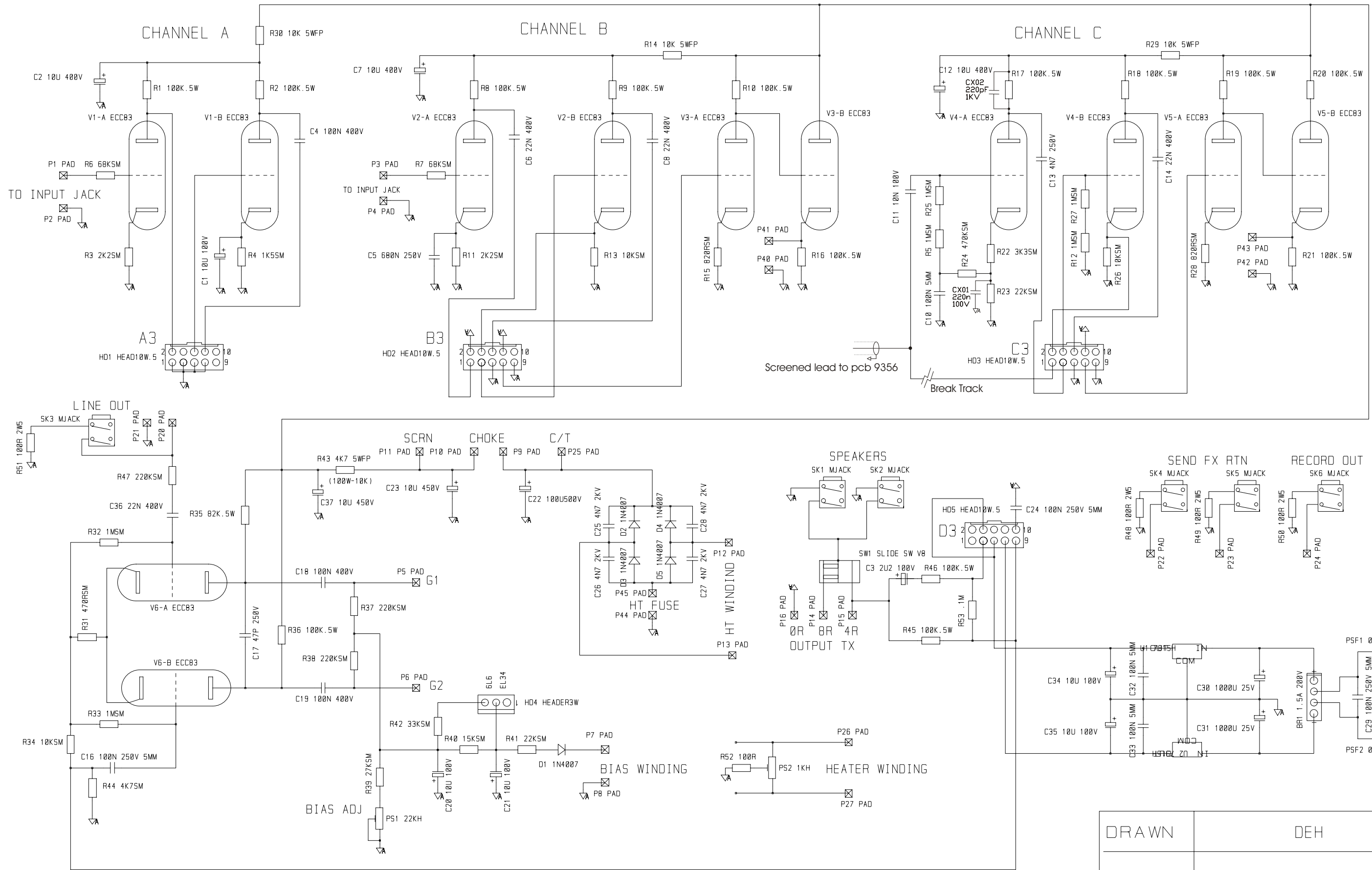
|       |  |
|-------|--|
| ISSUE | 4  |
| TYPE  | - C5 from 100pF to 220pF 1KV<br>- C33 from 100pF to 220pF 1KV<br>- Track break on pin1 of HD3<br>- Screened lead wired from Wiper VR7 to PCB 9357. (See CN0335 20/01/04) |





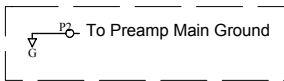
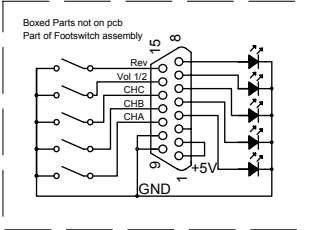
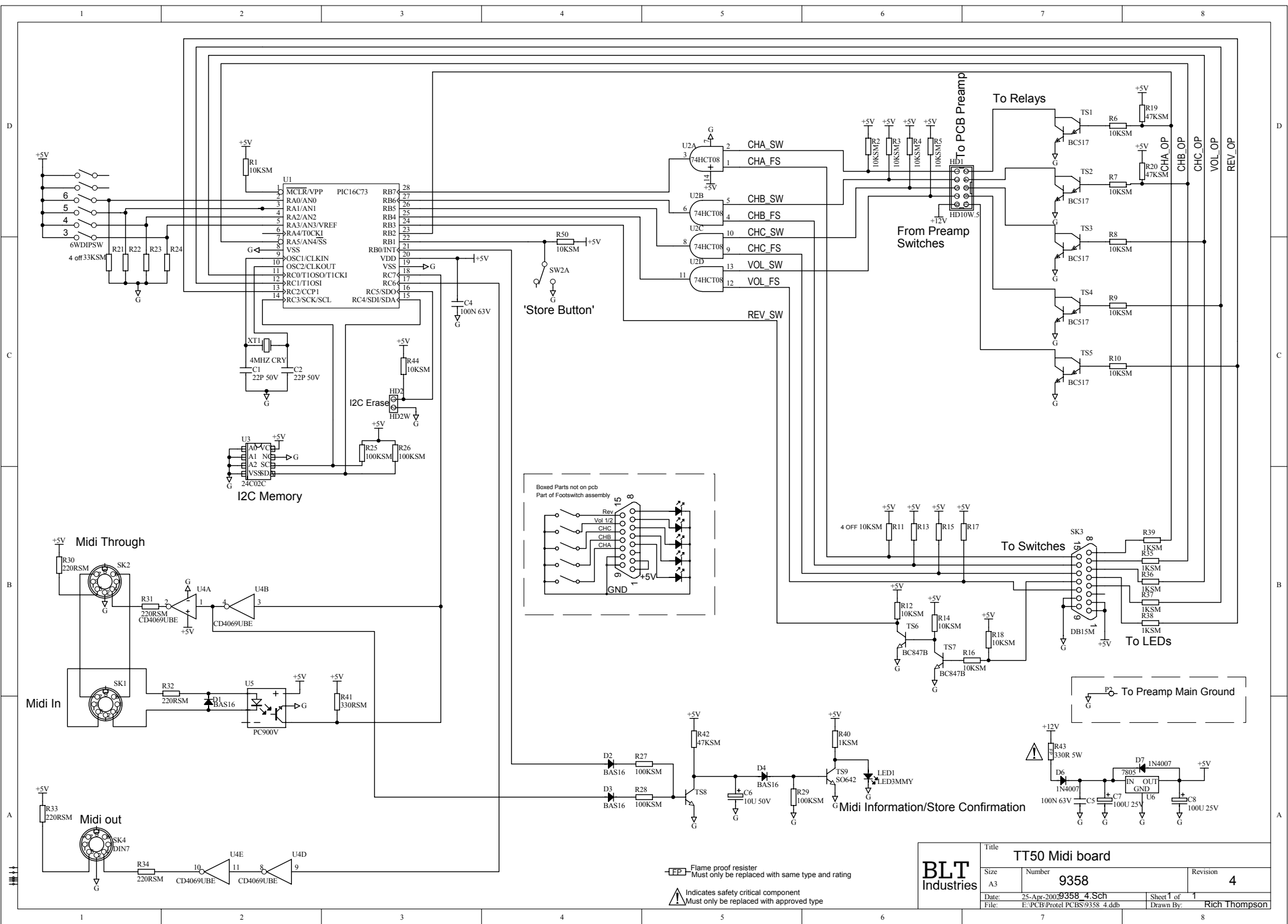
|          |                 |
|----------|-----------------|
| DRAWN    | DEH             |
| DATE     | 13/02/02        |
| TITLE    | TT50 MAIN BOARD |
| DRW. NO. | 9357_3          |

|       |  |
|-------|--|
| ISSUE |  |
| TYPE  |  |



|          |                 |
|----------|-----------------|
| DRAWN    | DEH             |
| DATE     | 19/04/02        |
| TITLE    | TT50 MAIN BOARD |
| DRW. NO. | 9357_4          |

|       |  |
|-------|--|
| ISSUE | 4  |
| TYPE  | - CX01, CX02 Added<br>- Track broken by pin1 HD3<br>- Screened lead added from pcb 9356 to C11.<br>(See CN0335 20/01/04) |



Flame proof resistor  
 Must only be replaced with same type and rating  
 Indicates safety critical component  
 Must only be replaced with approved type

|       |                               |                 |               |
|-------|-------------------------------|-----------------|---------------|
| Title |                               | TT50 Midi board |               |
| Size  | Number                        | Revision        |               |
| A3    | 9358                          | 4               |               |
| Date: | 25-Apr-2002 9358 4.Sch        | Sheet 1 of 1    |               |
| File: | E:\PCB\Protel\PCBS\9358 4.ddb | Drawn By:       | Rich Thompson |