

TT50

Service Information

Laney
Classic British Amplification

Newlyn Road, Cradley Heath, West Midlands. B64 6BE
www.laney.co.uk

TT50

Service Information

contents

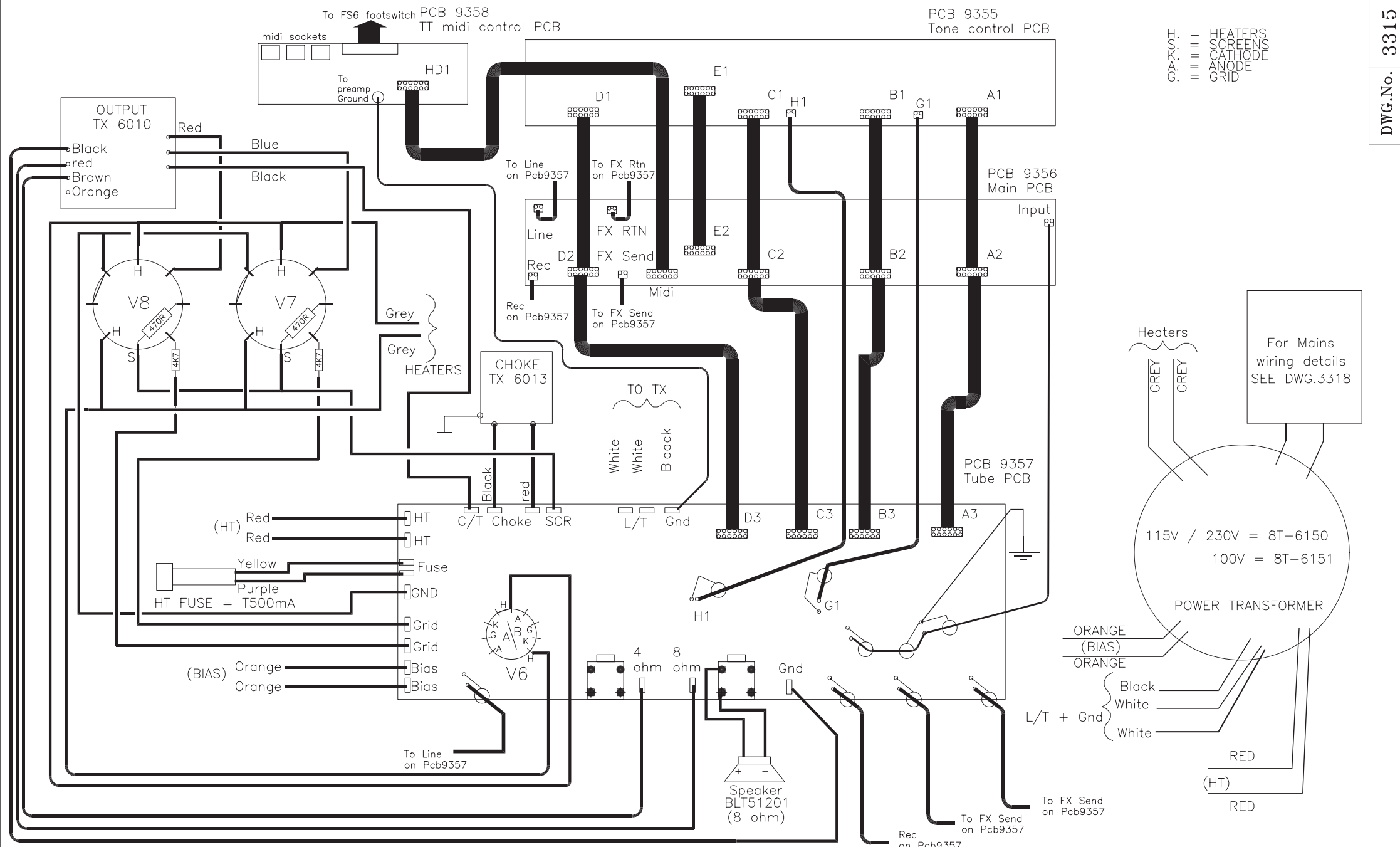
Contents

- 1. Contents**
- 2. TT50 combo Schematic drawing**
- 3. TT50 combo Mains wiring**
- 4. Tone Control Pcb - 9355 issue 3**
- 5. Tone Control Pcb - 9355 issue 4**
- 6. Main Preamp Pcb - 9356 issue 3**
- 7. Main preamp Pcb - 9356 issue 4**
- 8. Tube Pcb - 9357 issue 3**
- 9. Tube Pcb - 9357 issue 4**
- 10. TT midi Pcb - 9358 issue 4**

Laney

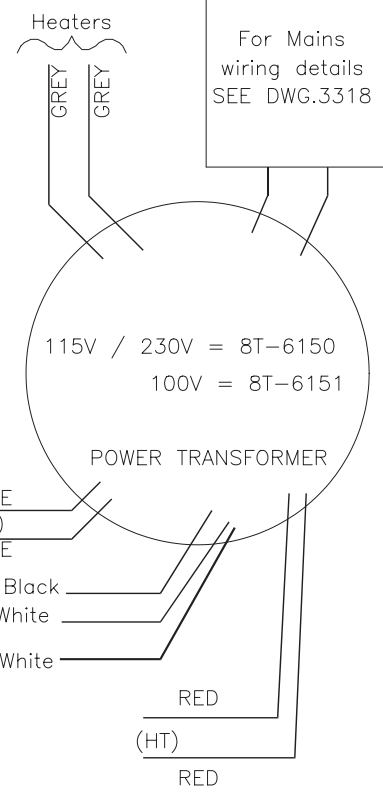
Classic British Amplification

Newlyn Road, Cradley Heath, West Midlands. B64 6BE
www.laney.co.uk

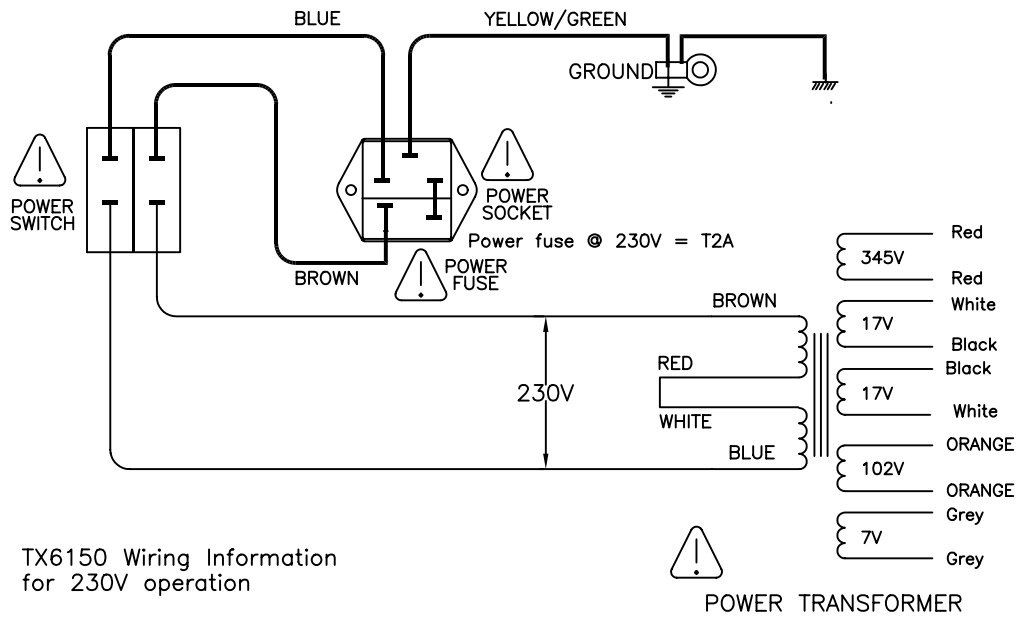


H. = HEATERS
S. = SCREENS
C. = CATHODE
A. = ANODE
G. = GRID

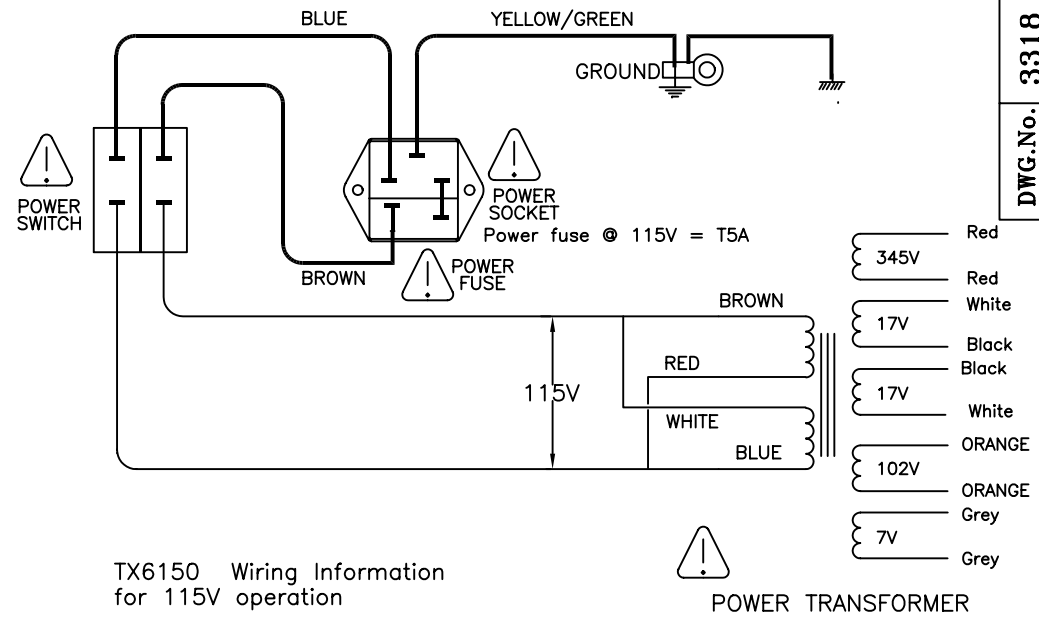
For Mains wiring details SEE DWG.3318



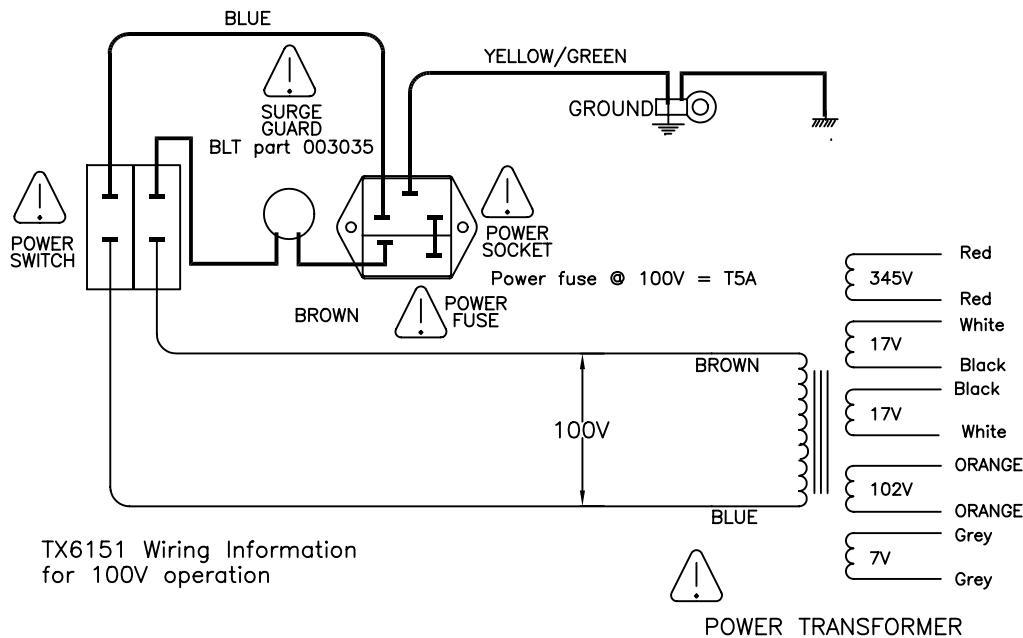
ISSUE	DESCRIPTION	APPD.	DATE	TITLE	DRAWN	TRACED	CHECKED	APPROVED	DATE
				TT50 (combo) schematic Diagram	R.J.F				25/4/2
DRAWING No.							3315		
				PART No					



TX6150 Wiring Information for 230V operation



TX6150 Wiring Information for 115V operation



TX6151 Wiring Information for 100V operation

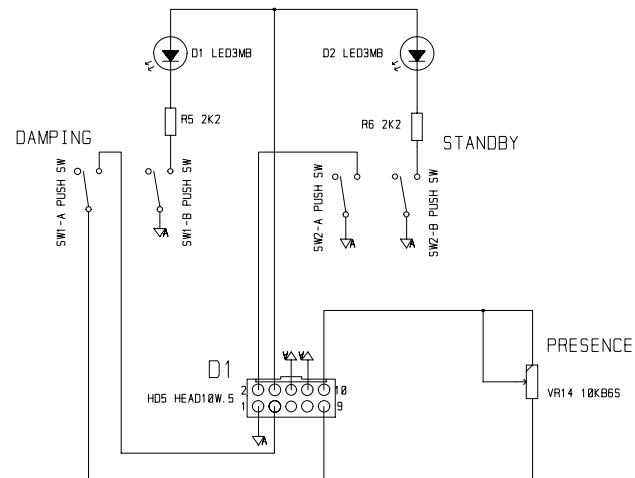
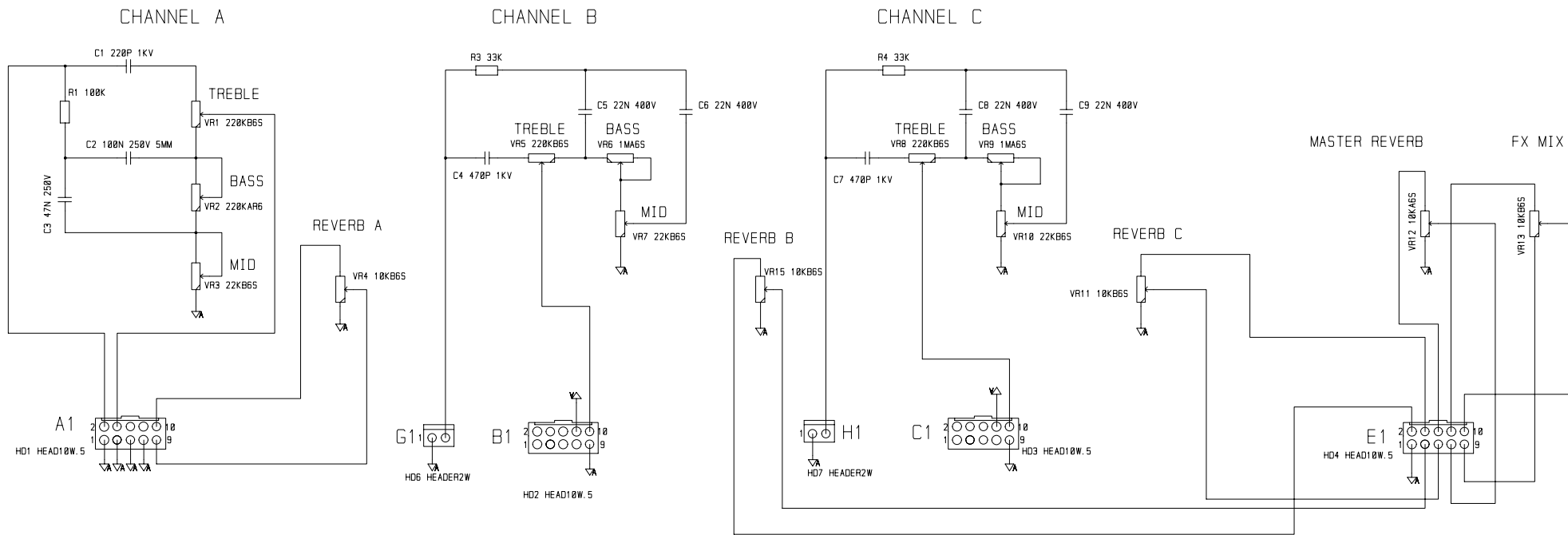
⚠ = ONLY REPLACE WITH SAME TYPE AND RATING

ISSUE	DESCRIPTION	APPD.	DATE

BLT
Industries Ltd.

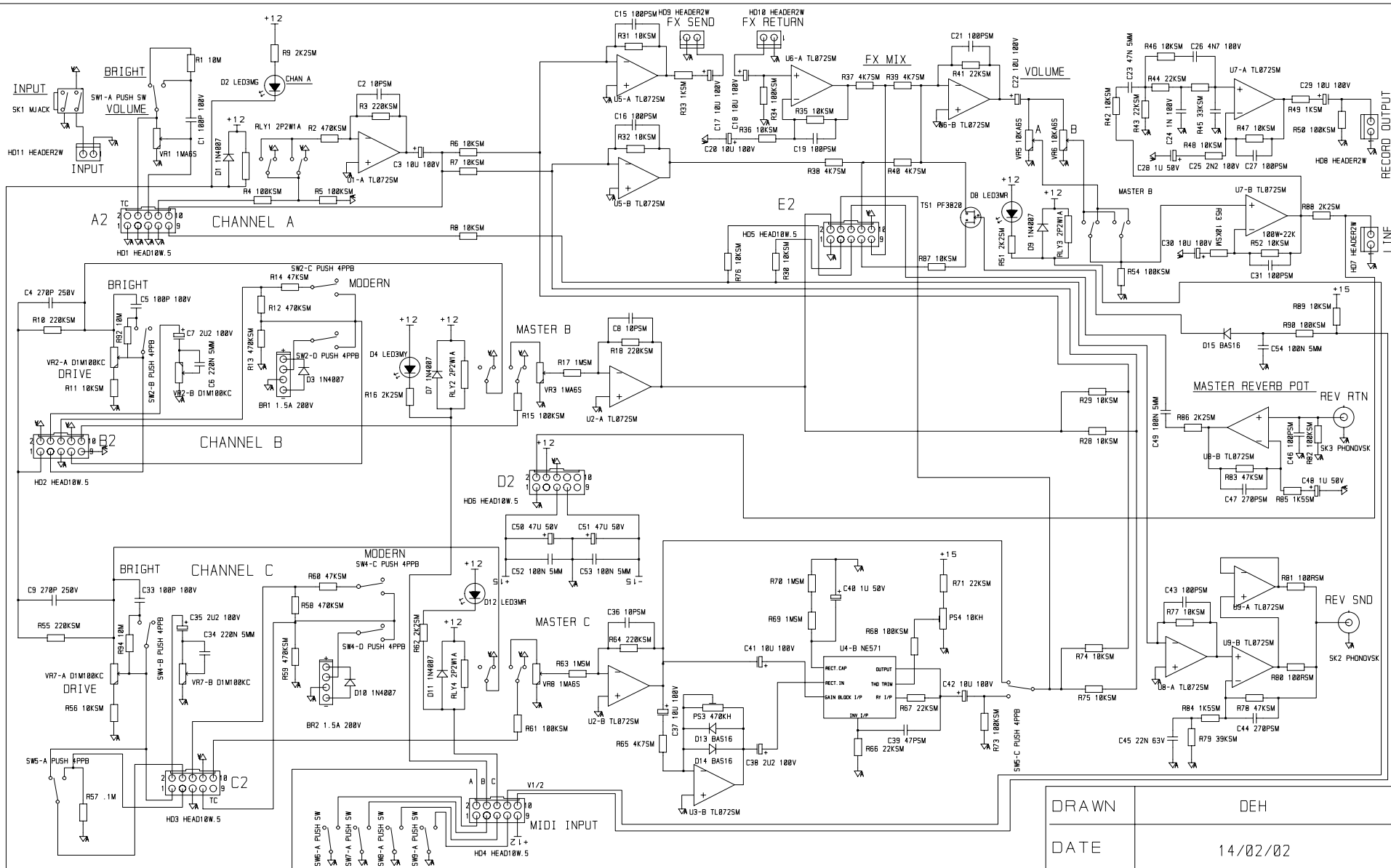
TITLE
MAINS WIRING FOR
TT50 combo and TT50H
PART No

DRAWN	TRACED	CHECKED	APPROVED	DATE
R.J.F				29/04/02
DRAWING No.		3318		



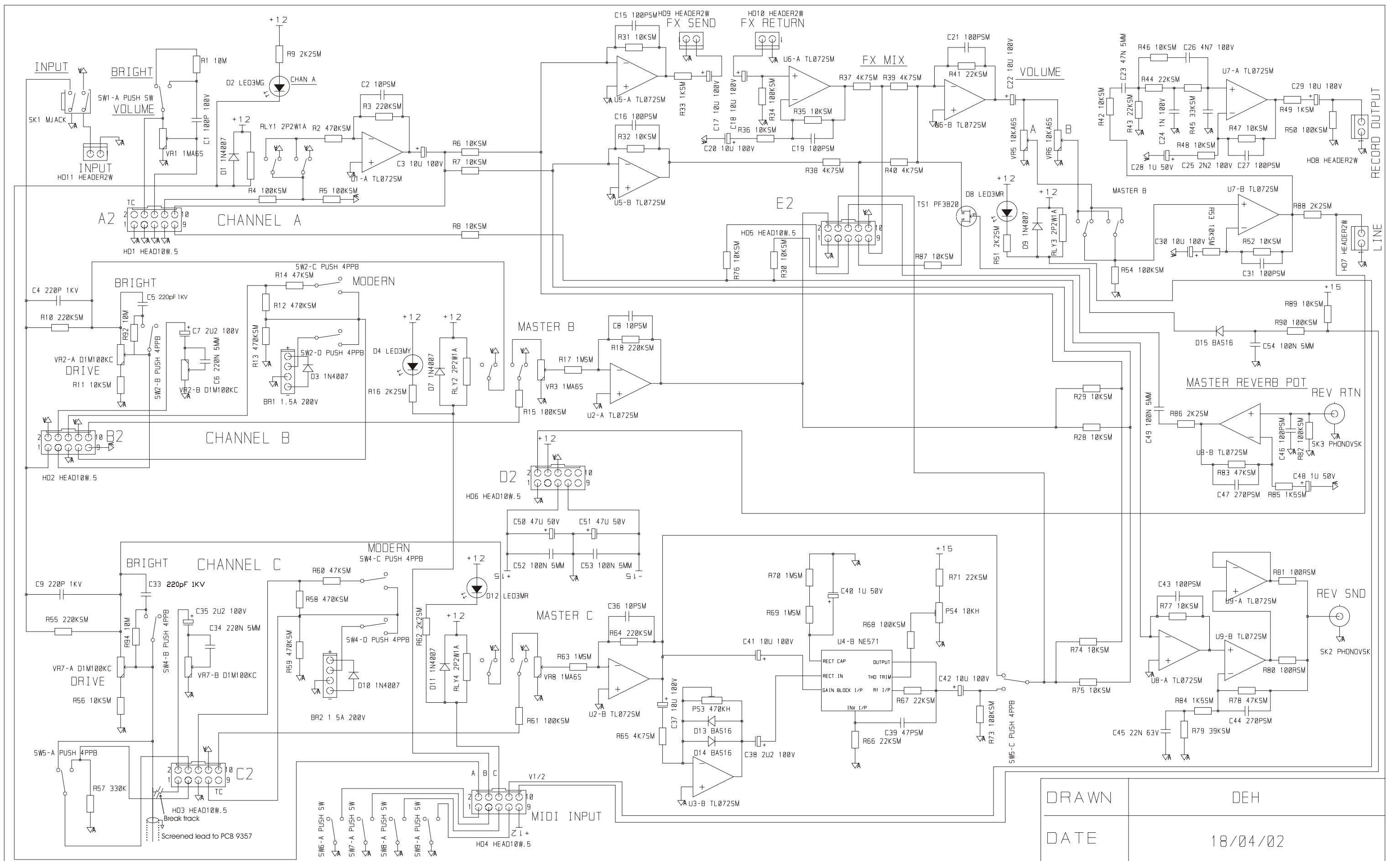
DRAWN	DEH
DATE	17/04/02
TITLE	TT50/100 TONE BOARD
DRW. NO.	9355_4

ISSUE							
TYPE							



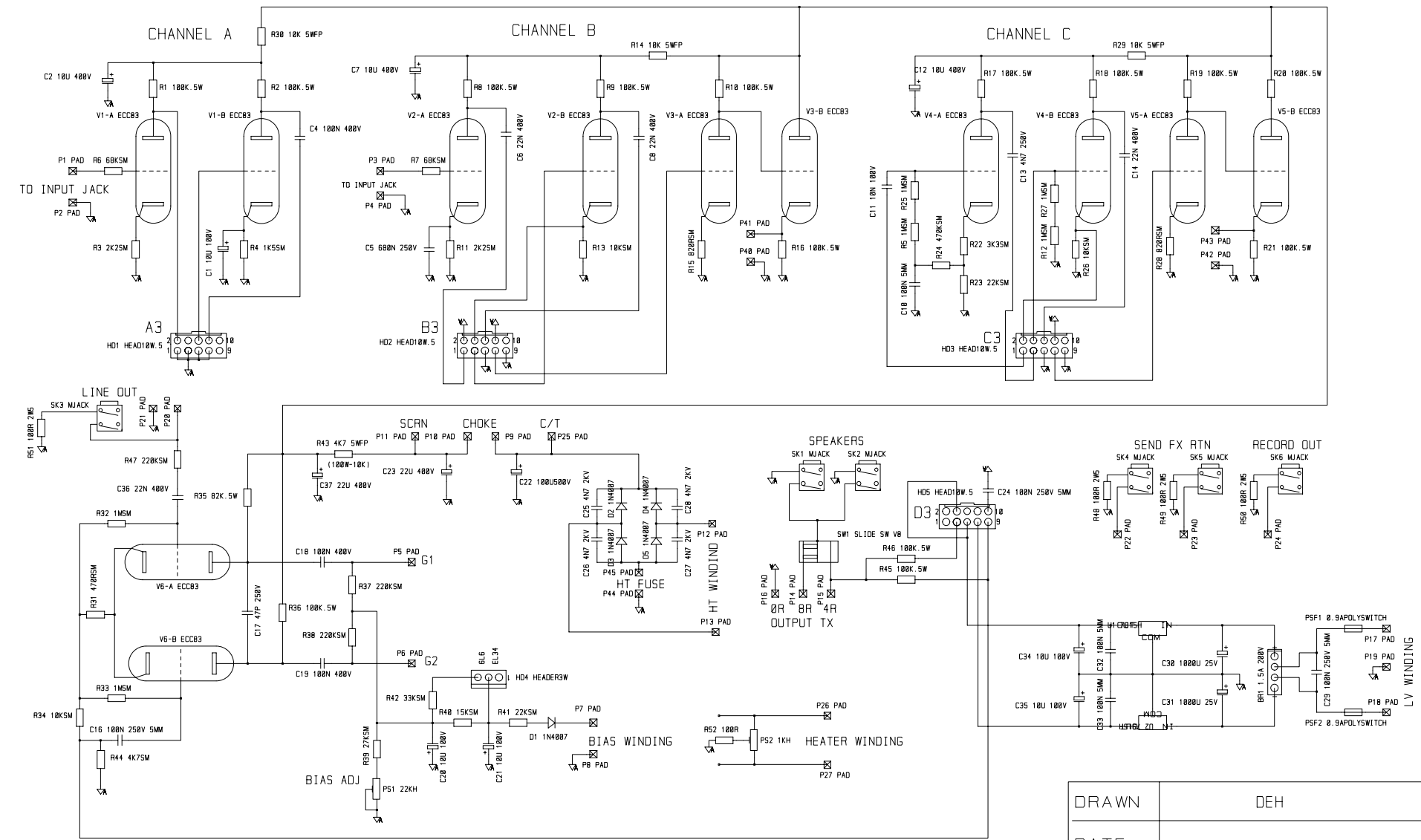
DRAWN	DEH
DATE	14/02/02
TITLE	TT50/100 MAIN PREAMP
DRW. NO.	9356.13

ISSUE	
TYPE	



DRAWN	DEH
DATE	18/04/02
TITLE	TT50/100 MAIN PREAMP
DRW. NO.	9356_4

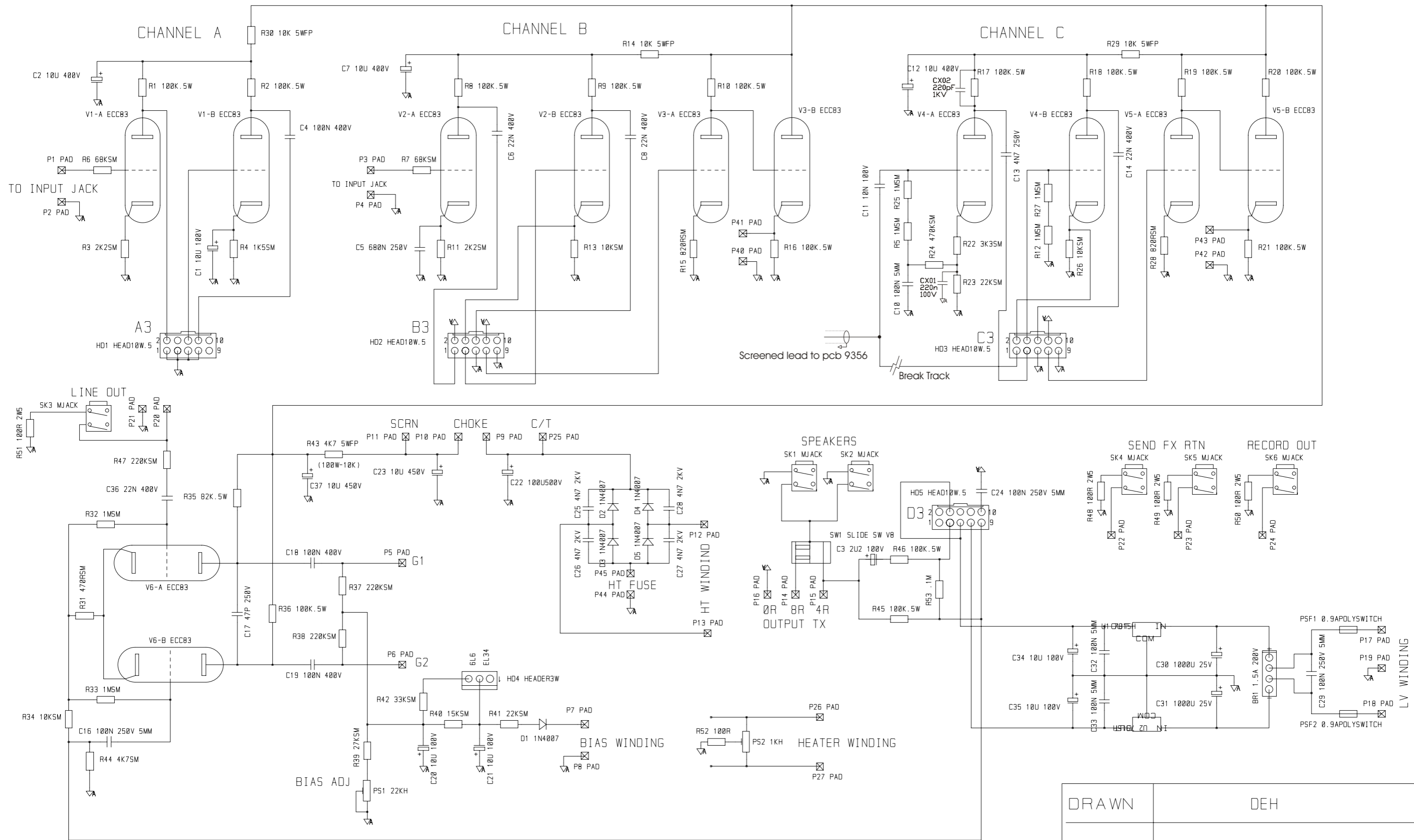
ISSUE	4
TYPE	- C5 from 100pF to 220pF 1KV - C33 from 100pF to 220pF 1KV - Track break on pin1 of HD3 - Screened lead wired from Wiper VR7 to PCB 9357. (See CN0335 20/01/04)



DRAWN	DEH
DATE	13/02/02
TITLE	TT50 MAIN BOARD
DRW. NO.	9357_3

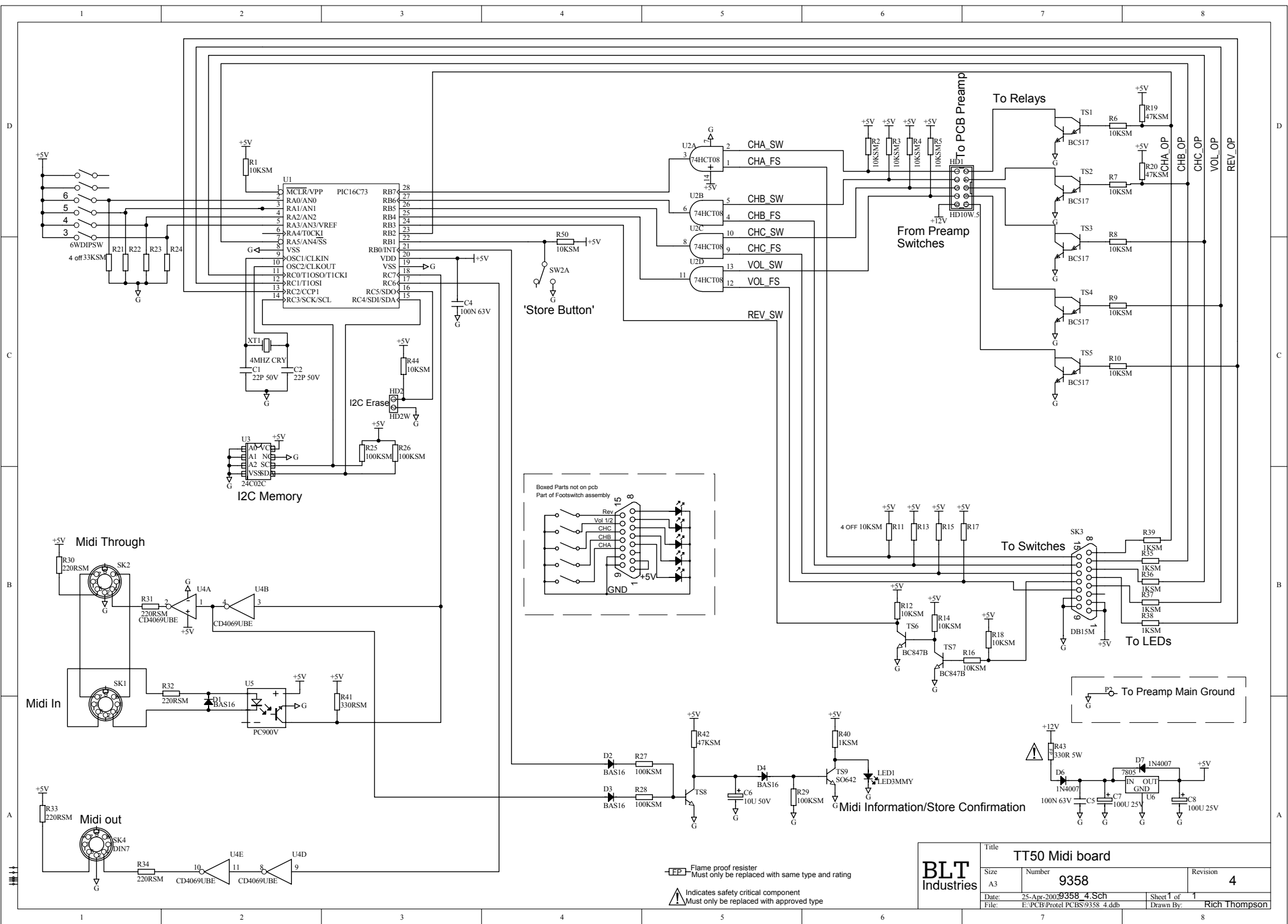
ISSUE

TYPE



DRAWN	DEH
DATE	19/04/02
TITLE	TT50 MAIN BOARD
DRW. NO.	9357_4

ISSUE	4
TYPE	- CX01, CX02 Added - Track broken by pin1 HD3 - Screened lead added from pcb 9356 to C11. (See CN0335 20/01/04)



Flame proof resistor
Must only be replaced with same type and rating

Indicates safety critical component
Must only be replaced with approved type

Title		TT50 Midi board	
Size	Number	Revision	
A3	9358		4
Date:	25-Apr-2002 9358 4.Sch	Sheet 1 of 1	
File:	E:\PCB\Protel\PCBS\9358 4.ddb	Drawn By:	Rich Thompson