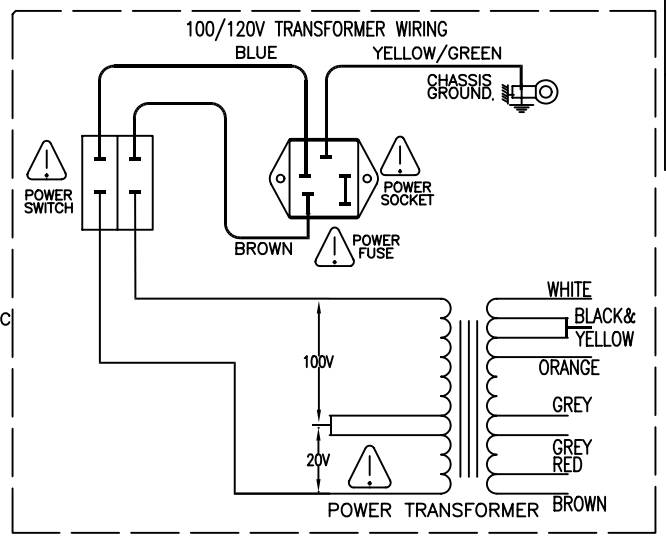
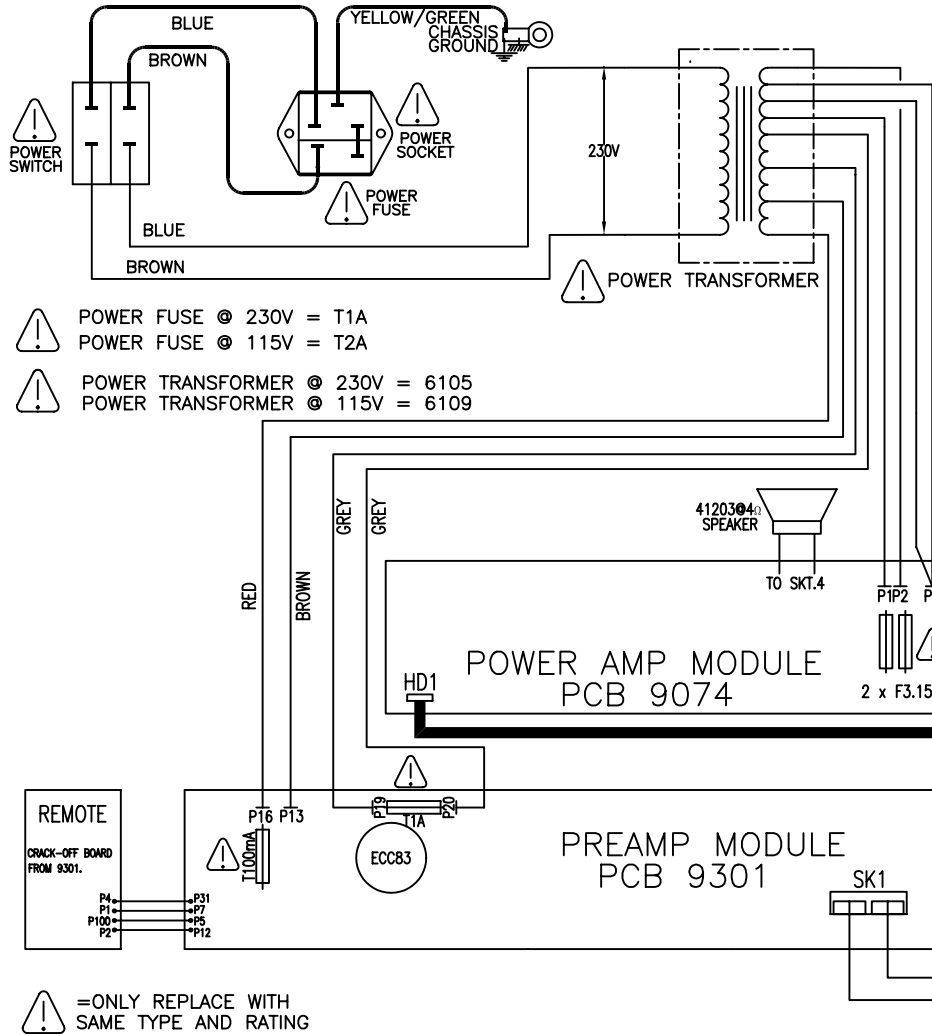


Laney

Service Diagrams



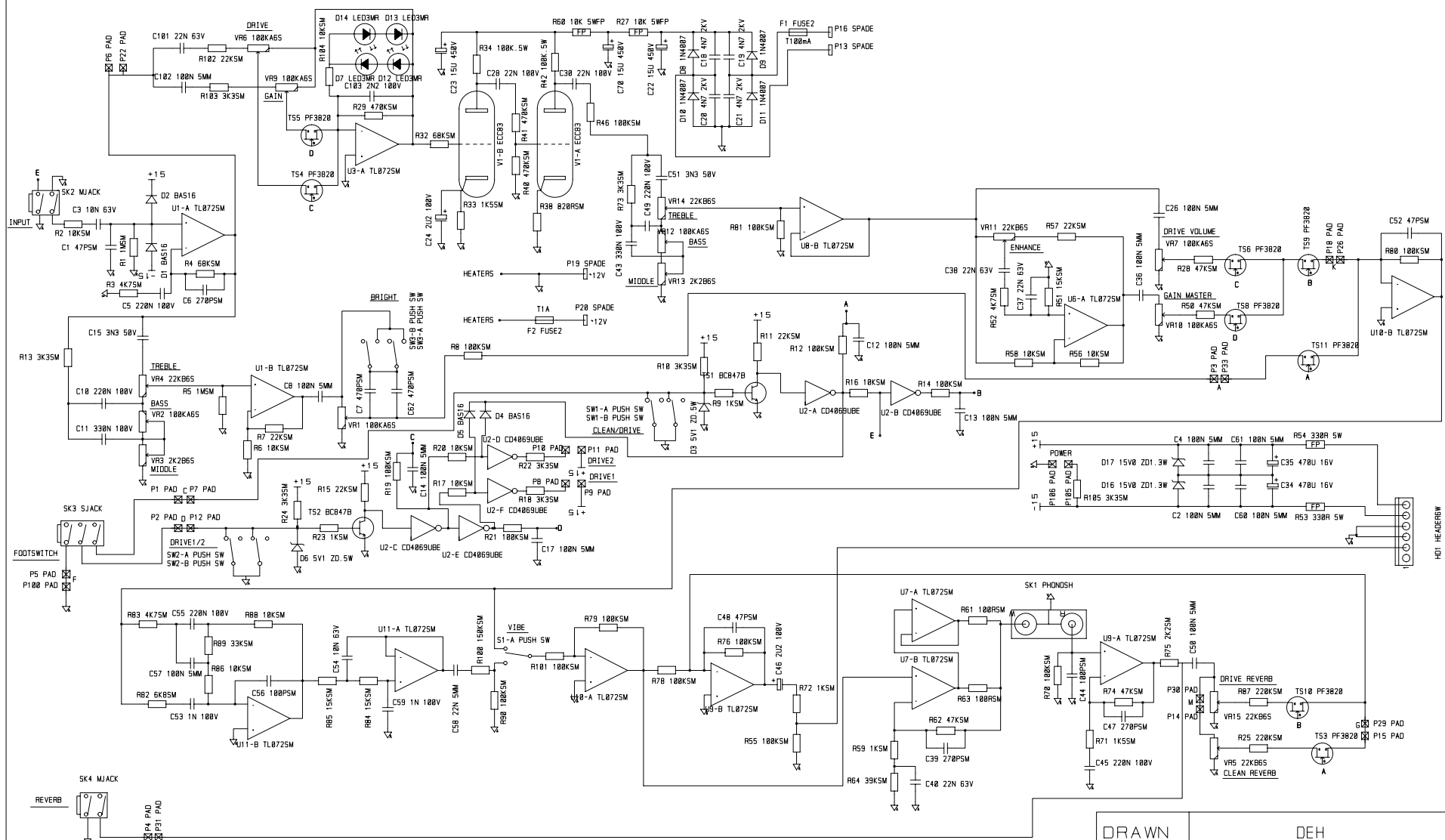
! = ONLY REPLACE WITH SAME TYPE AND RATING

ISSUE	DESCRIPTION	APPD.	DATE

BLT
Industries Ltd.

TITLE
TF200 SERVICE
DIAGRAM
PART No

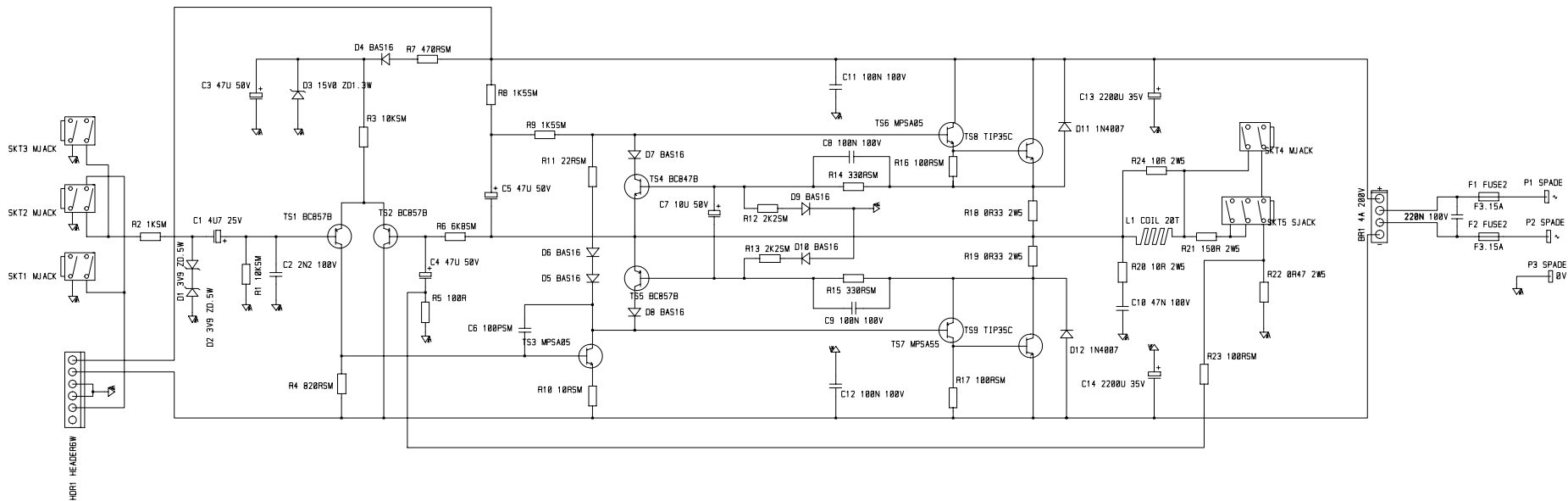
DRAWN	TRACED	CHECKED	APPROVED	DATE
S.L.				29/06/98
DRAWING No.		2835		



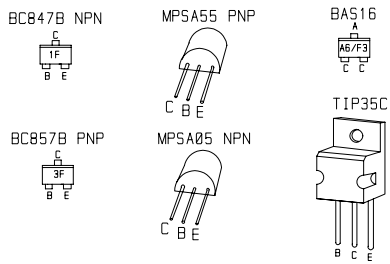
HOT HEADERS

DRAWN	DEH
DATE	11/06/98
TITLE	TUBE FUSION TF200
DRW. NO.	9301_3

ISSUE	BOARD ISSUE 2 TO 3
TYPE	BRIGHT FREQUENCY ADJUSTED SEE CHANGE NOTE 158 26/06/98



HDRI HEADER



NOTE:- BASS VERSION R5=220R R22=LINK C13/14=3300U

ISSUE	Issue 2 14/03/2000	08/06/00.				DRAWN	DEH
						DATE	15/3/99
						TITLE	50-65W OUTPUT MODULE
TYPE	220nF 100V Cap added across secondary fuses before the bridge on underside of PCB.	CHANGE NOTE 291: R11 FROM 47RSM TO 22RSM				DRW. NO.	9074_2