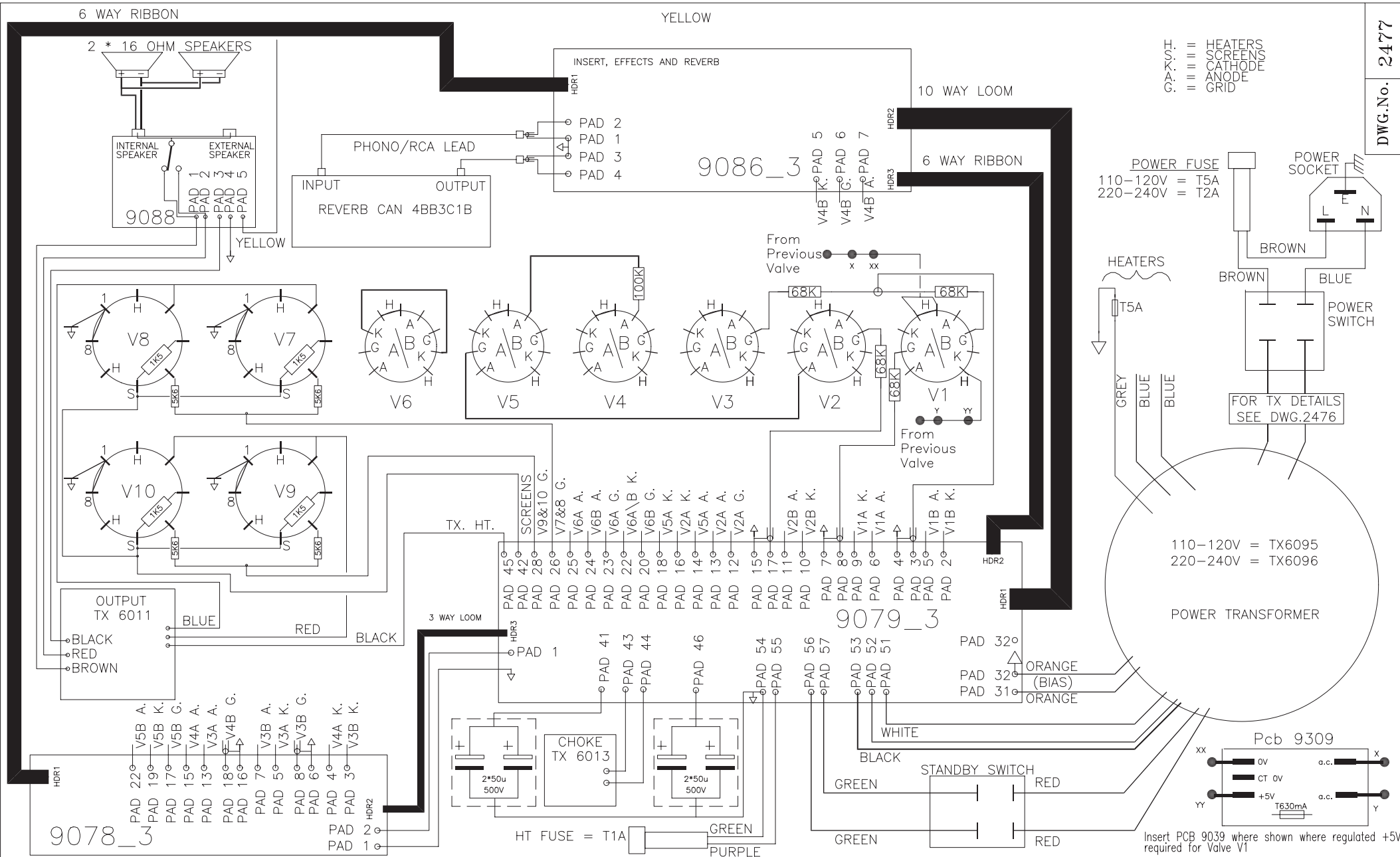


# Laney

**Service Diagrams**



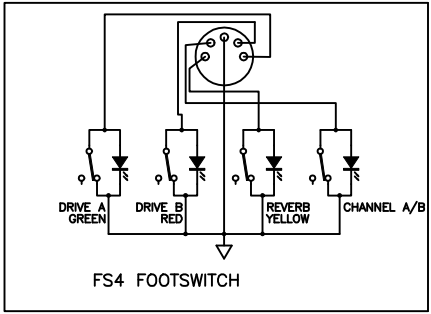
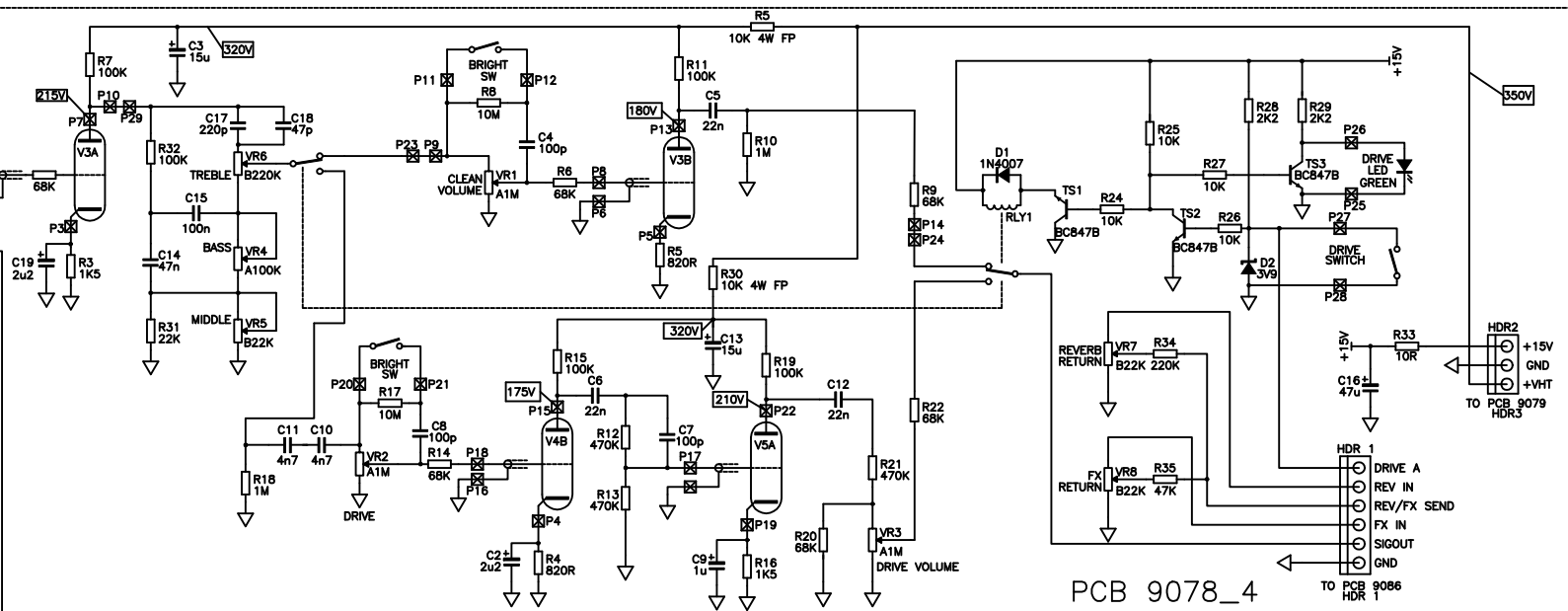
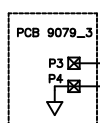
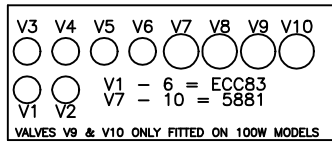
DWG.No. 2477

ISSUE	DESCRIPTION	APPD.	DATE
2	Option added for regulated +5V Supply	R.J.F	8/10/98
	Fuse added in CT ground of heaters		
	TX6096 changed to 230V primary		

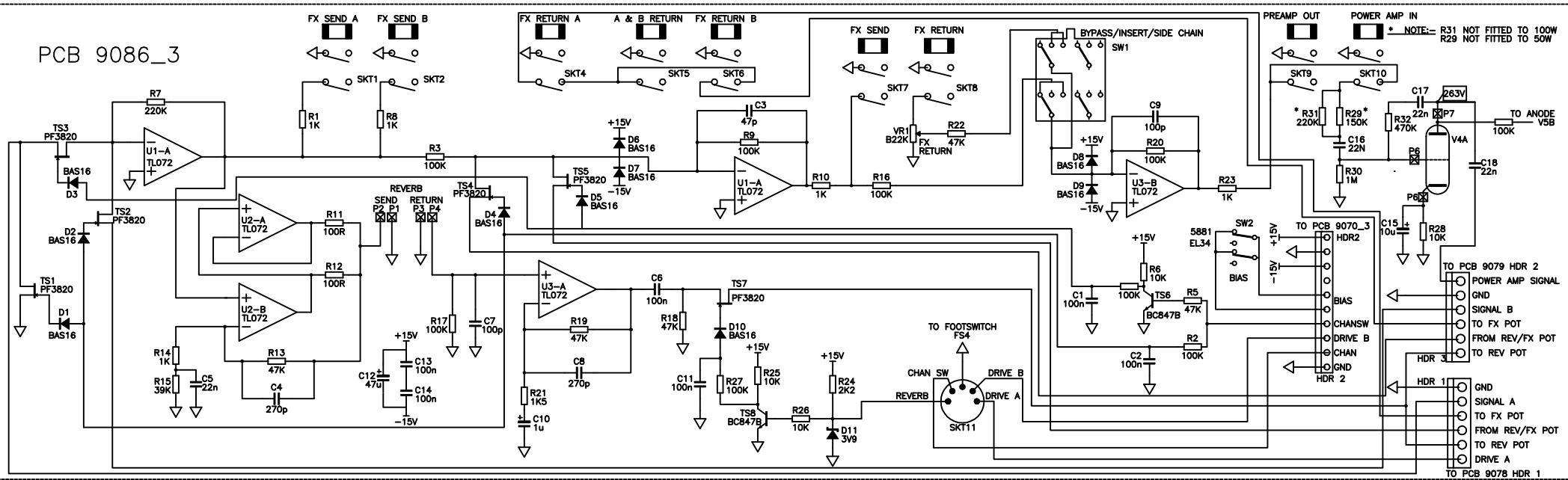
**LANEY**

TITLE  
VC100 SCHEMATIC  
DIAGRAM  
PART No

DRAWN	TRACED	CHECKED	APPROVED	DATE
S.L.				15/05/96
DRAWING No.		2477		



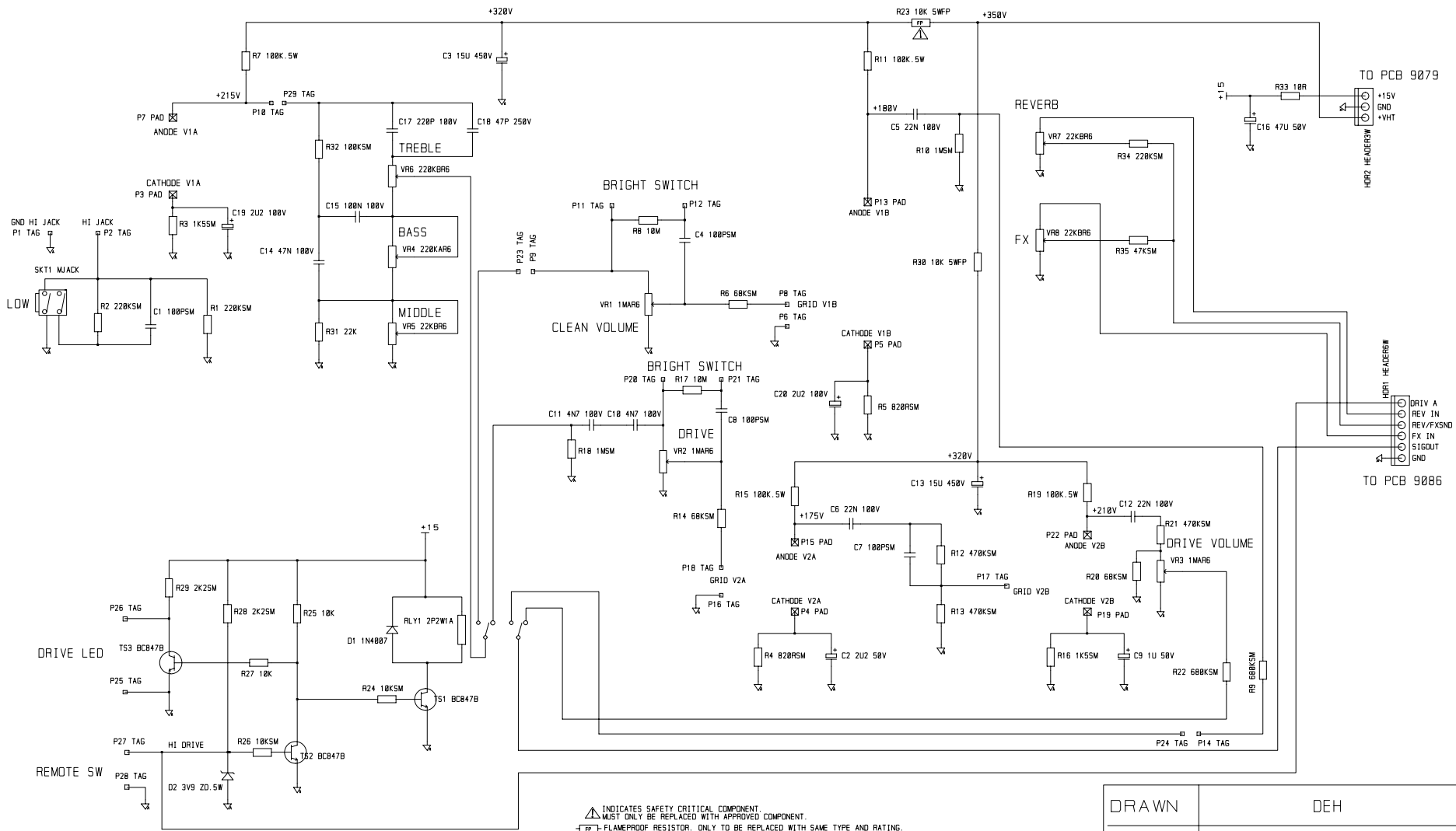
PCB 9078\_4



ISSUE	DESCRIPTION	APPD.	DATE	TITLE	DRAWN	TRACED	CHECKED	APPROVED	DATE
4	CHANGE R5 & 30 FROM 10K 1W TO 10K 4W FP	S.L.	14/5/95	VC50/VC100/VH100R CLEAN & FX CIRCUIT PART No	S.L.				14/5/95
DRAWING No.							2386		

**LANEY**



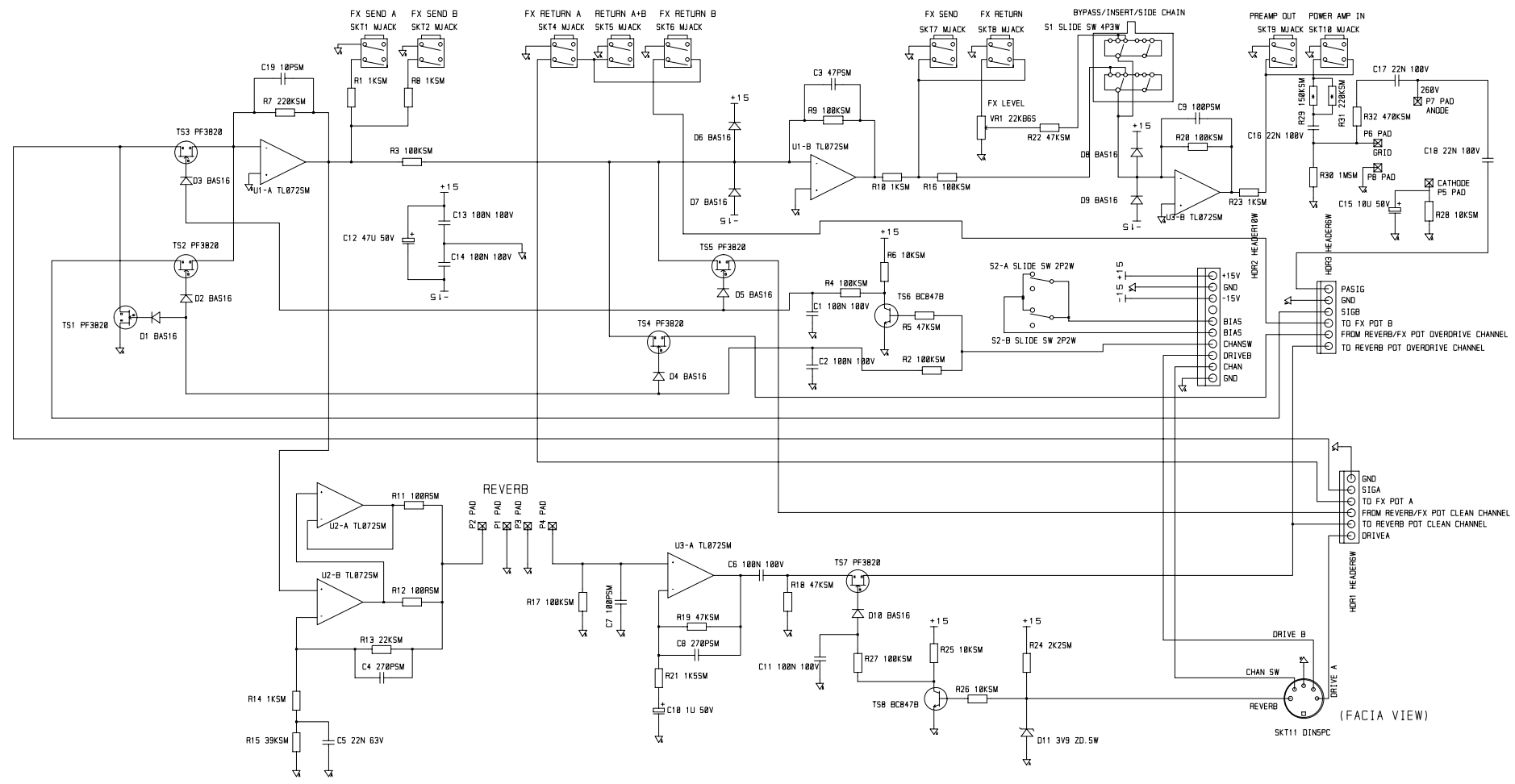


DRAWN	DEH
DATE	25/07/95
TITLE	4 CHANNEL VALVE AMP CLEAN CHANNEL
DRW. NO.	9078-4

ISSUE	C19/20 2U2 ADDED 26/07/95 R23/30 18K 1W CF TO 5W WW FP 26/07/95				
TYPE					



\*Note R50 not fitted on 50W models  
R51 not fitted on 100W models



DRAWN	DEH
DATE	25/07/95
TITLE	4 CHANNEL VALVE AMP FX MODULE
DRW. NO.	9086_4

ISSUE	C19 ADDED 19/04/95 R13 47K TO 22K 19/04/95
-------	---

TYPE	
------	--

