

VC30-112

VC30-210

VC30-212

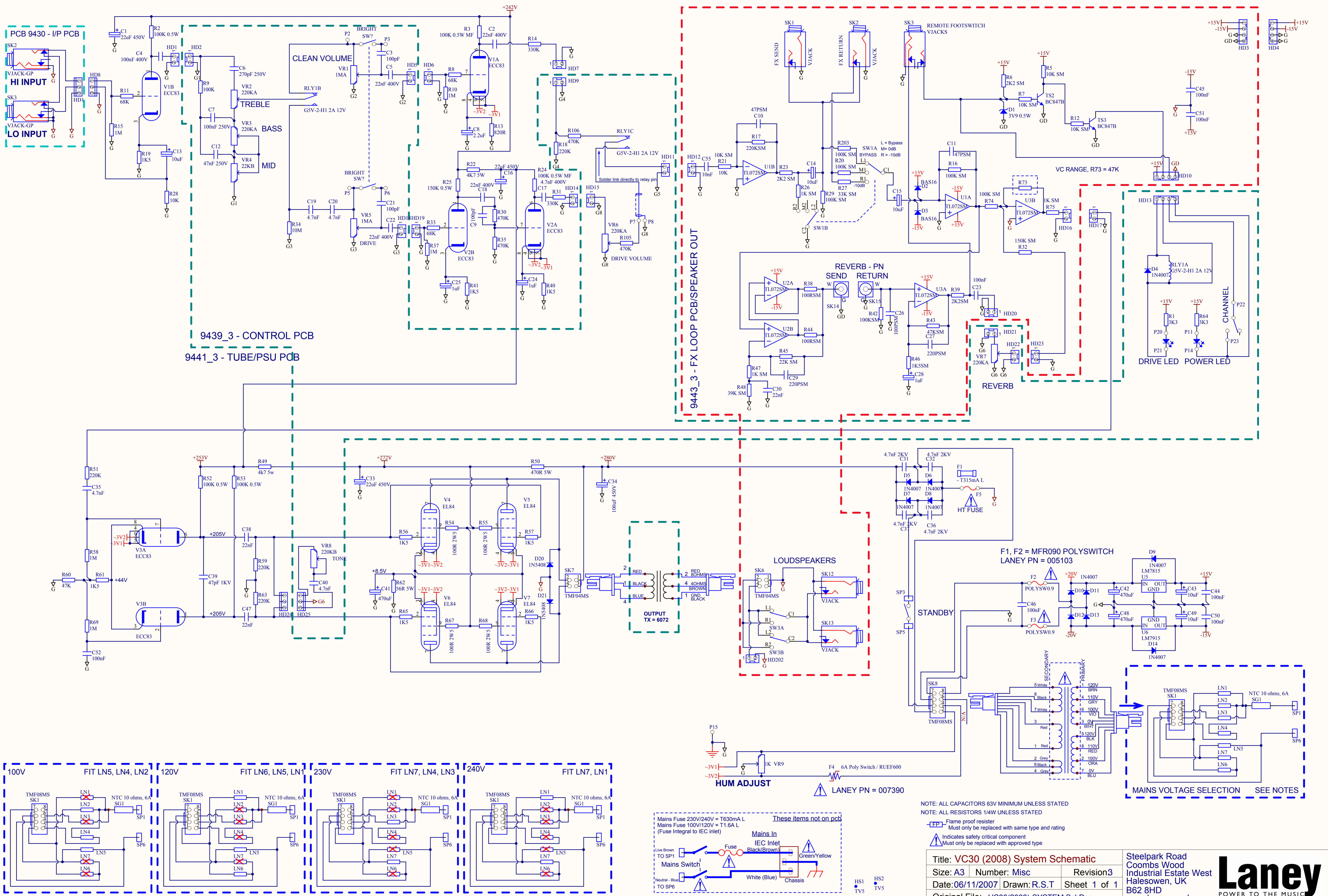
Service Information

2008 ONWARDS

Laney

POWER TO THE MUSIC

www.laney.co.uk

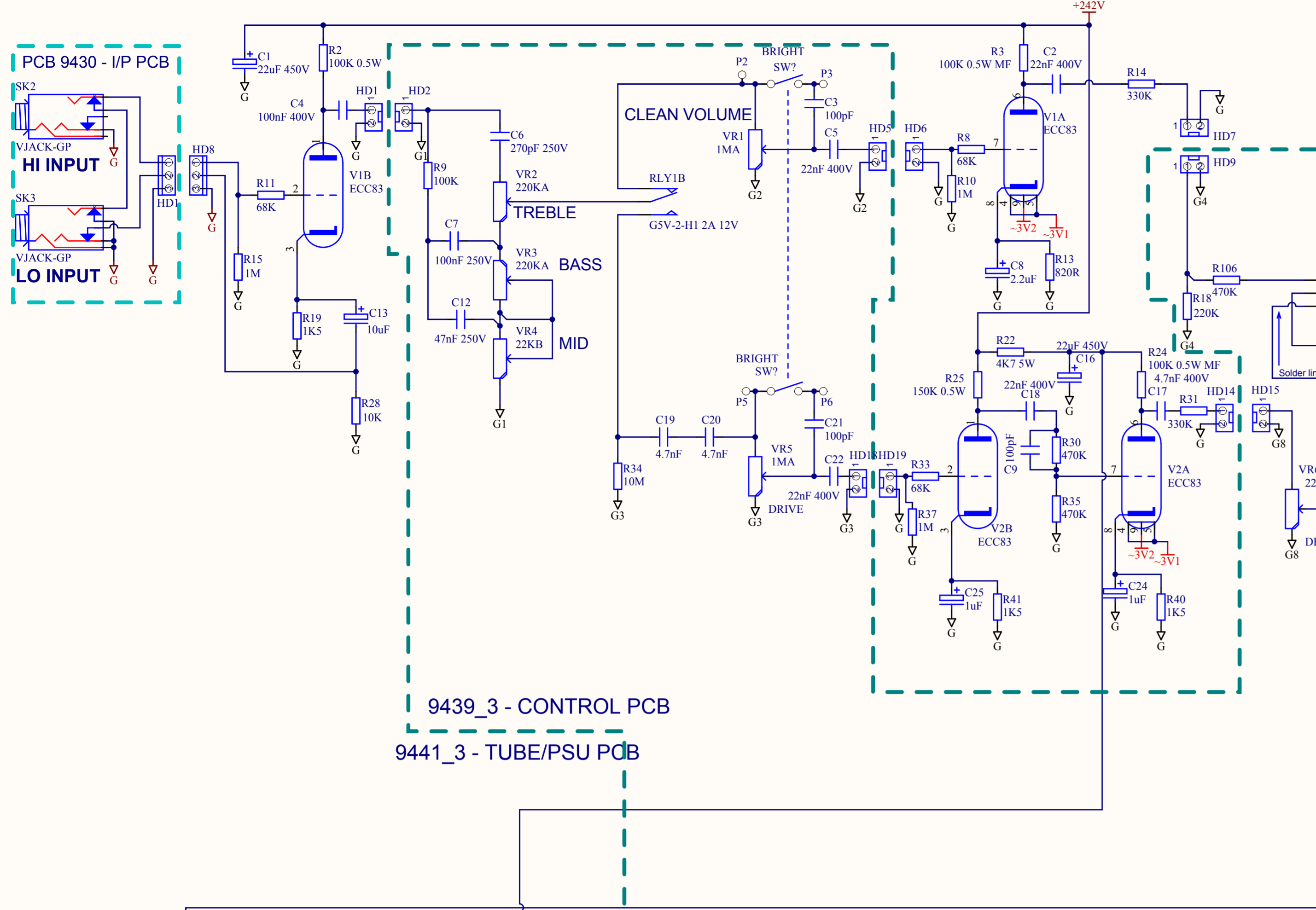
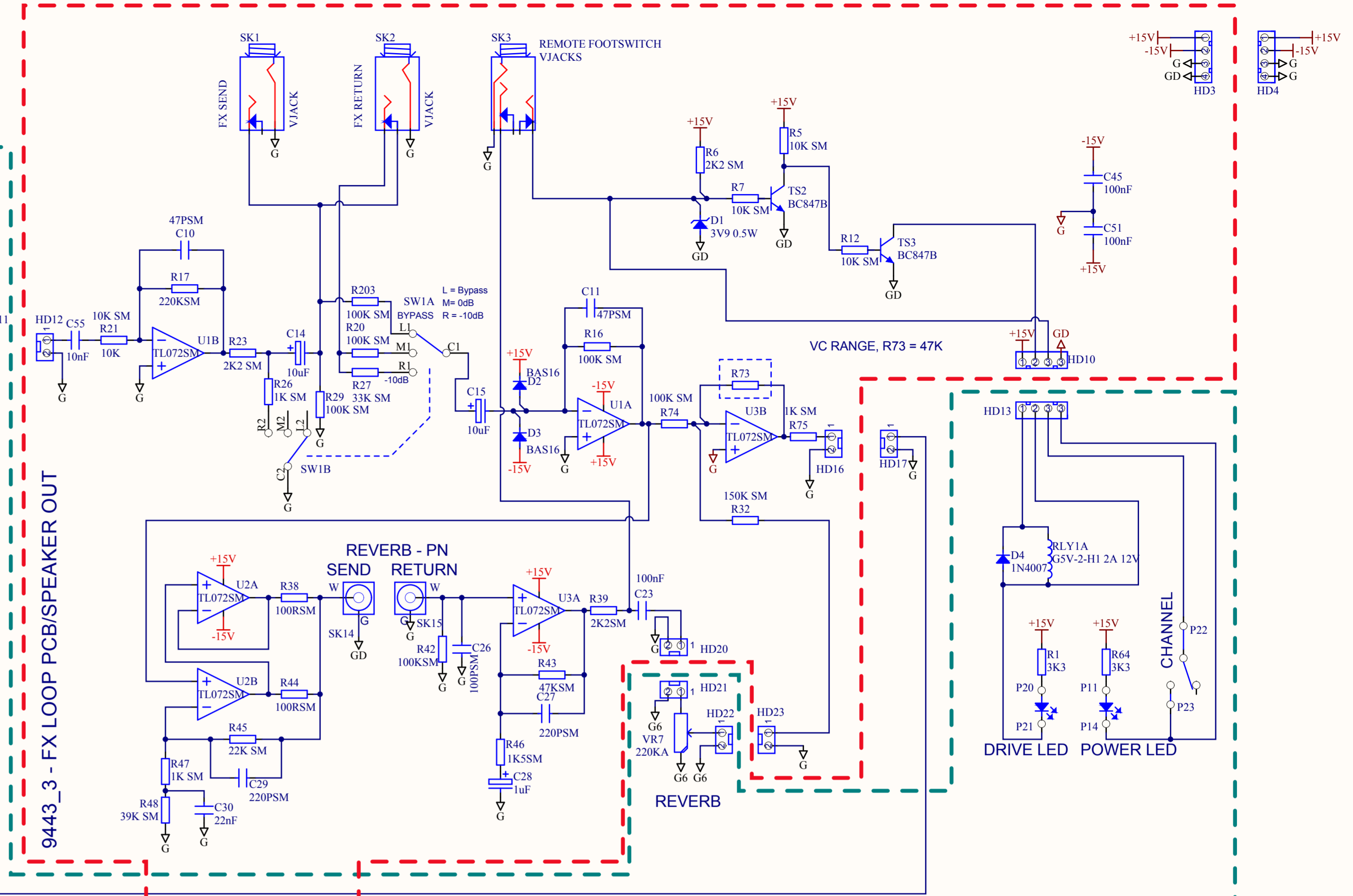
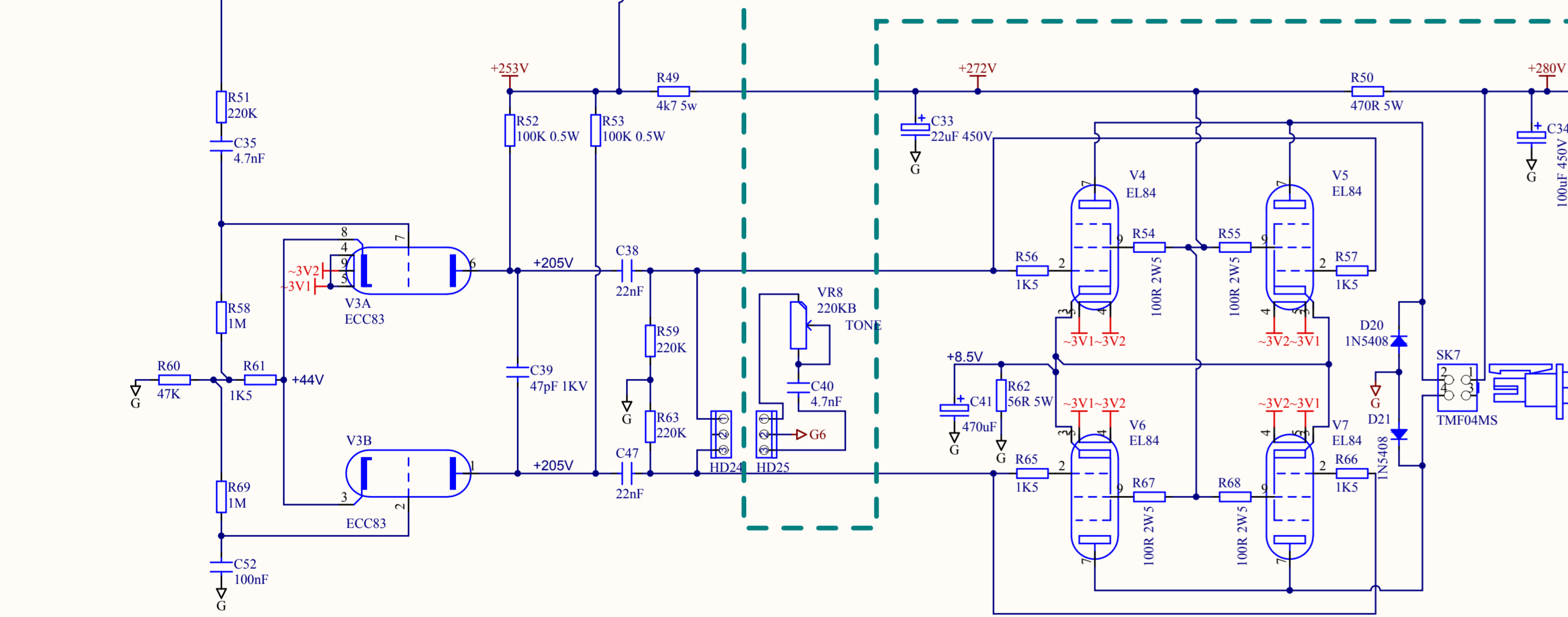
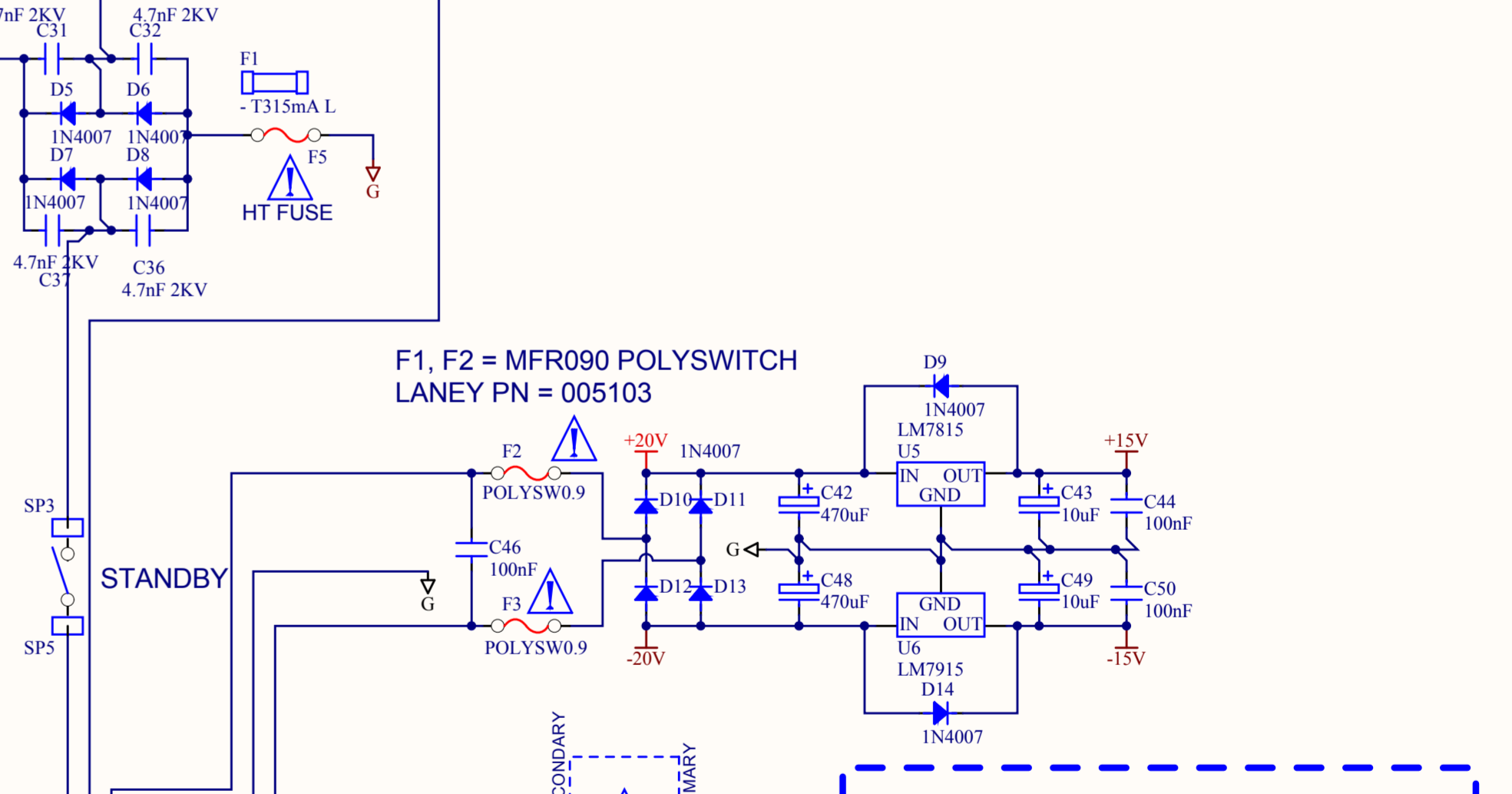
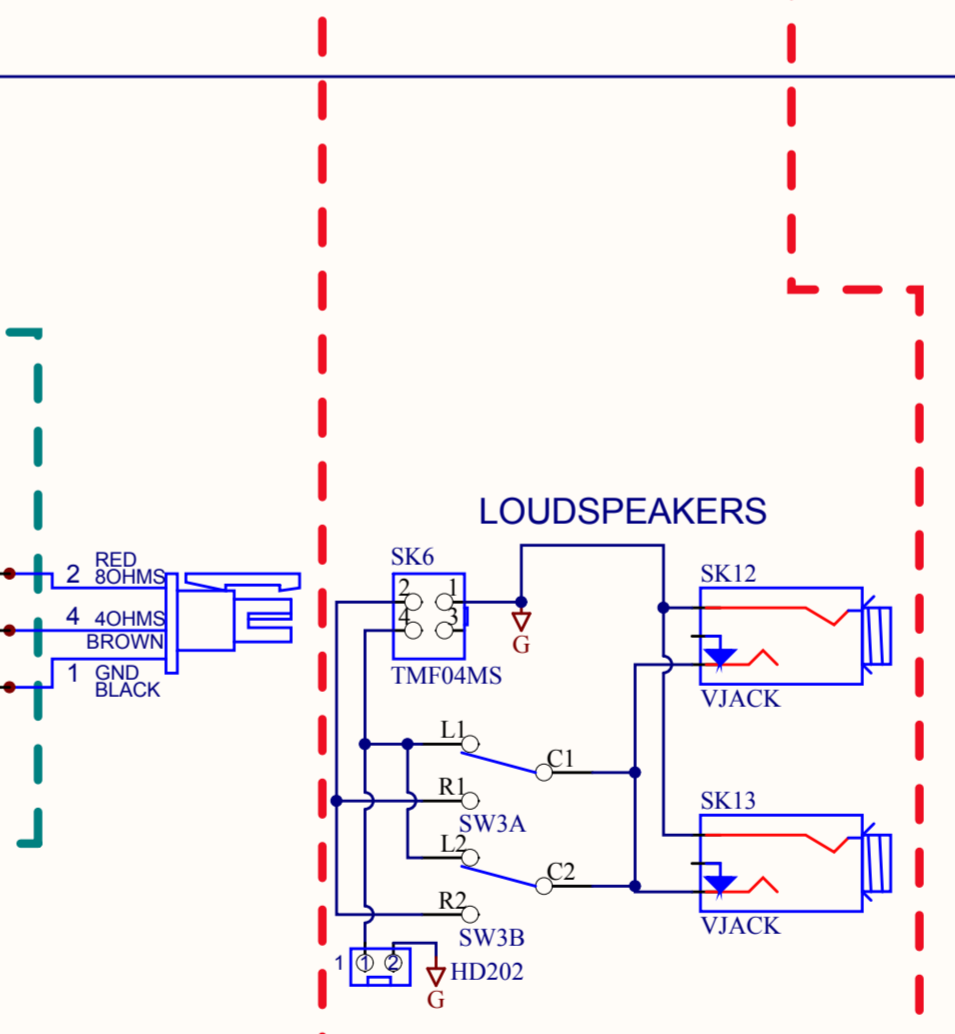
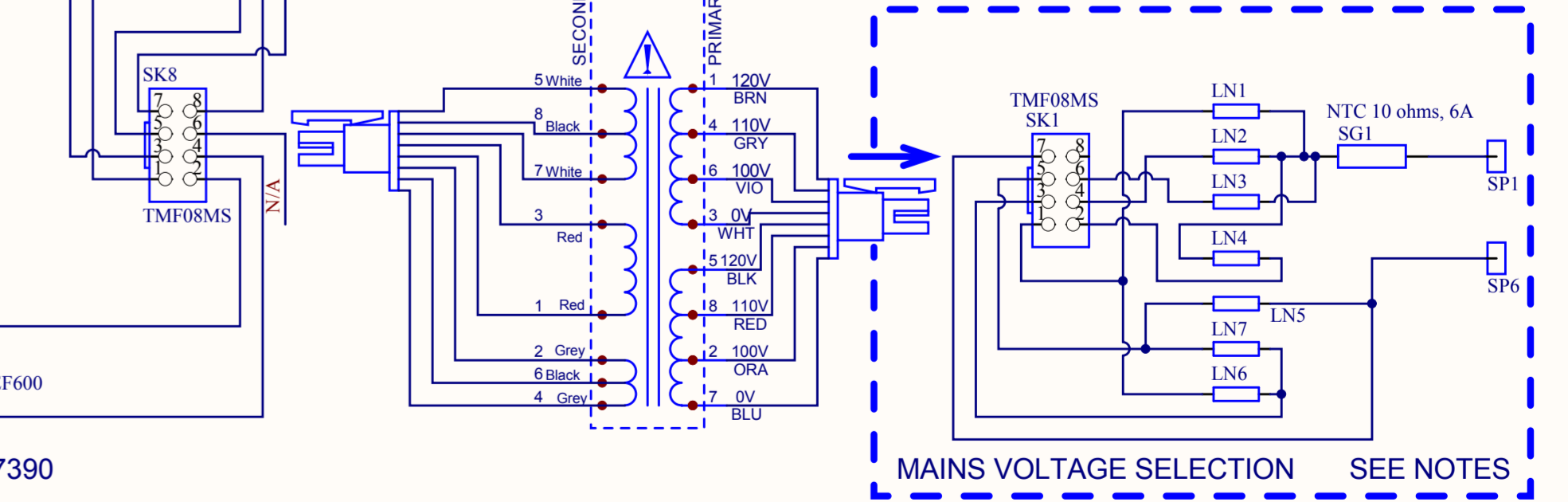
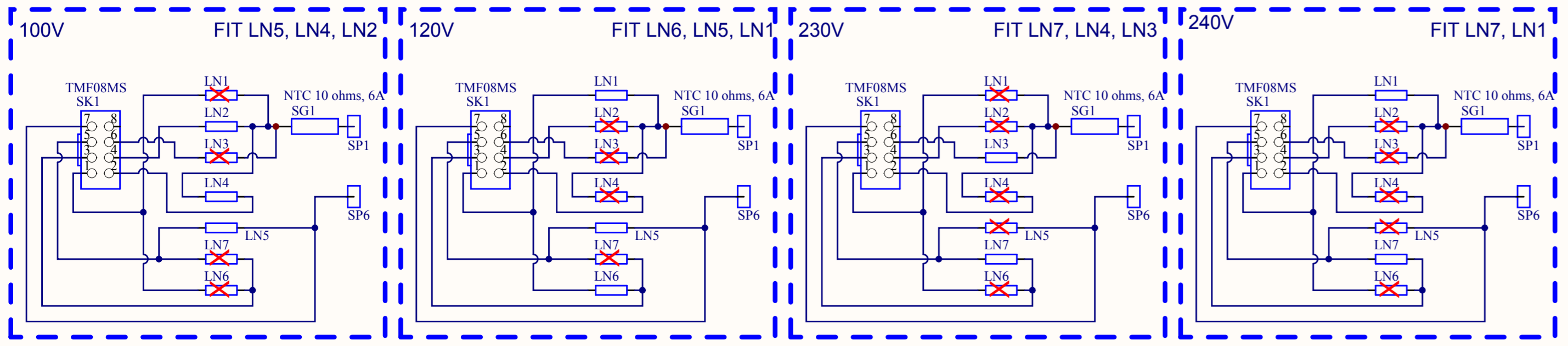
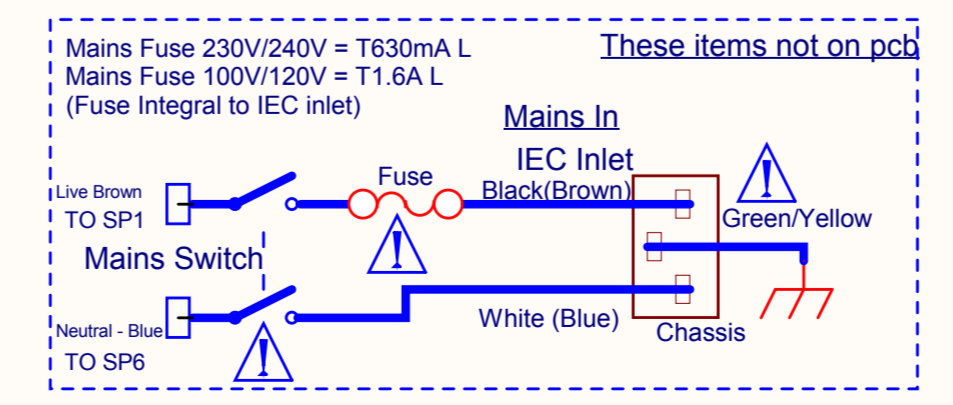


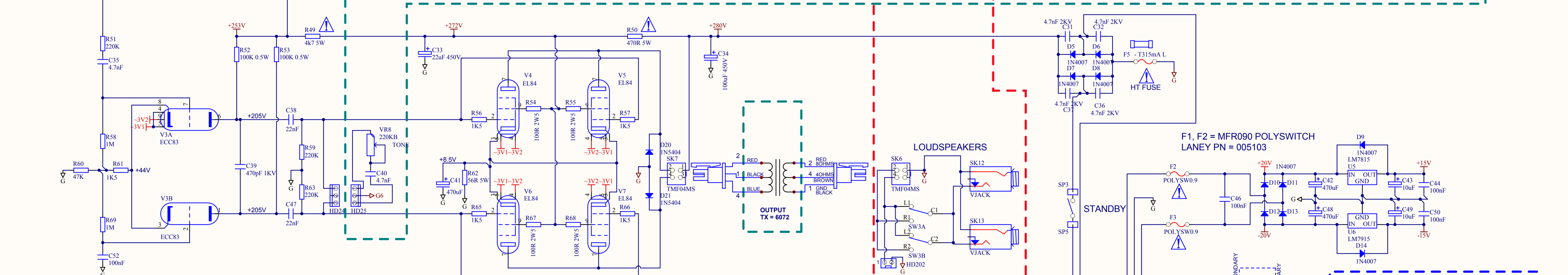
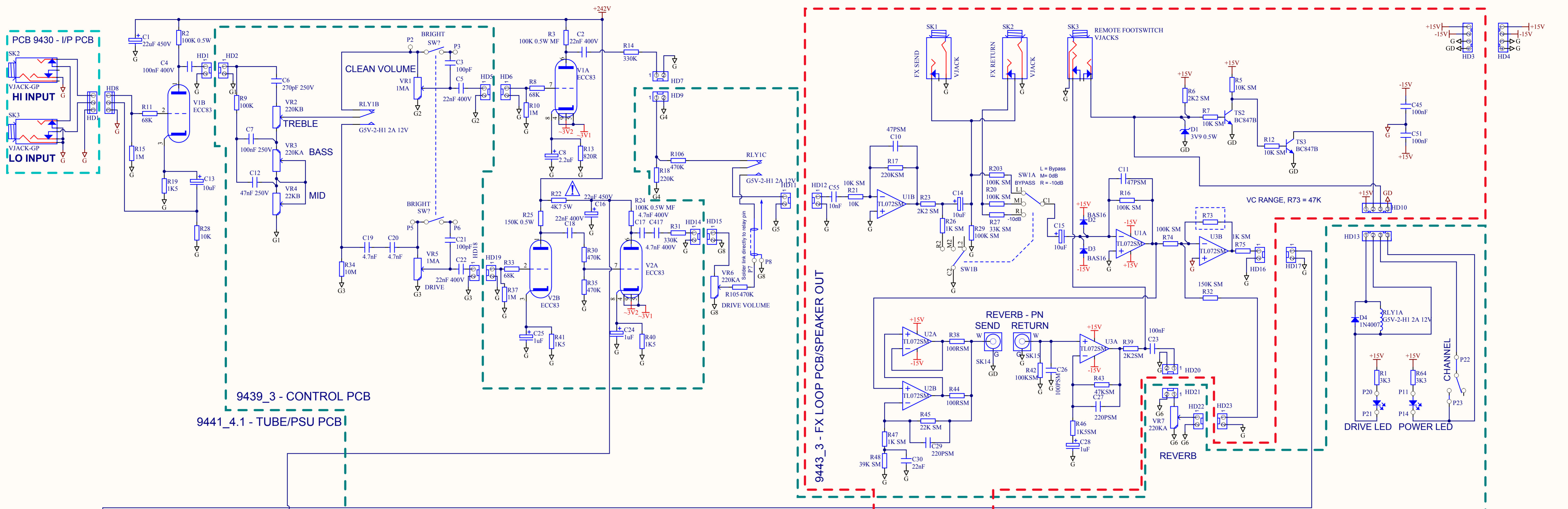
NOTE: ALL CAPACITORS 63V MINIMUM UNLESS STATED
 NOTE: ALL RESISTORS 1/4W UNLESS STATED
 -FP- Flame proof resistor
 Must only be replaced with same type and rating
 ⚠ Indicates safety critical component
 Must only be replaced with approved type

Title: VC30 (2008) System Schematic			
Size: A3	Number: Misc	Revision3	
Date:06/11/2007	Drawn:R.S.T	Sheet 1 of 1	
Original File: VC30(2008)-SYSTEM.SchDoc			

Steelpark Road
 Coombs Wood
 Industrial Estate West
 Halesowen, UK
 B62 8HD
 www.laney.co.uk

Laney
 POWER TO THE MUSIC





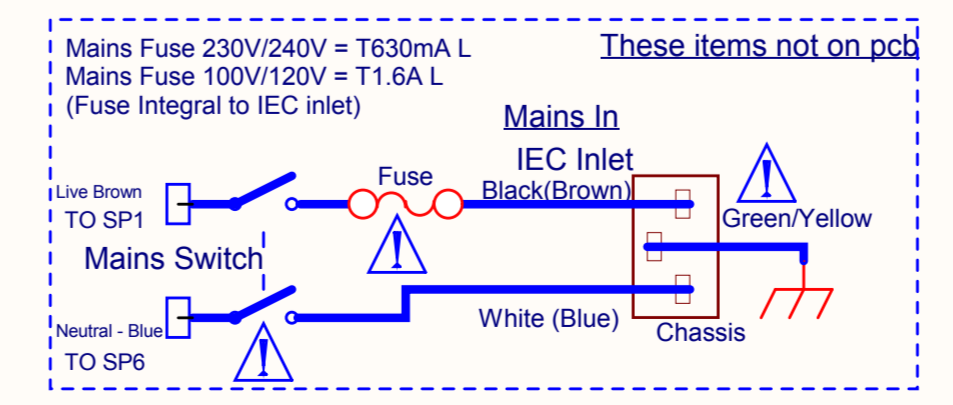
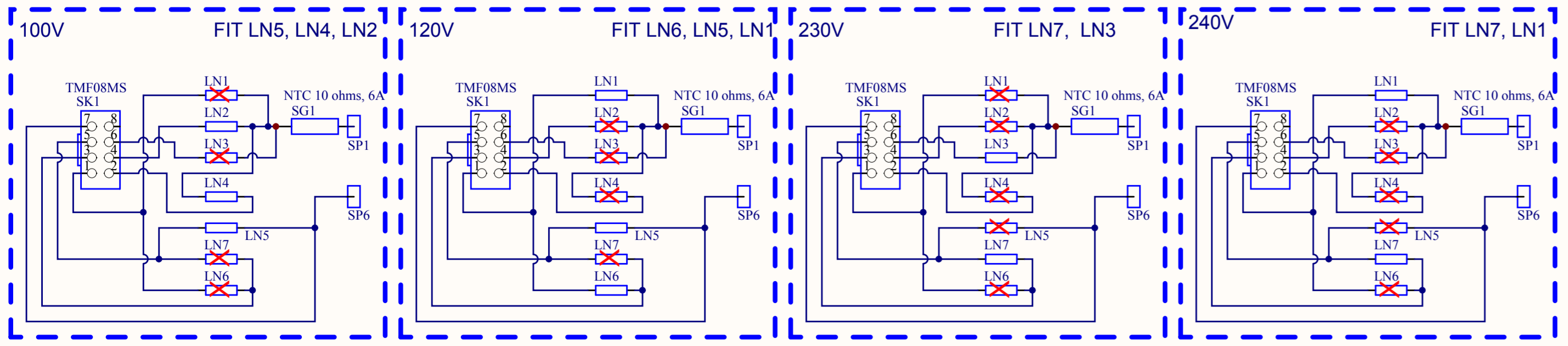
9441 ISSUE 4.1: 06/02/08:
 1. REMOVE C9.
 2. ADD C417.
 3. C39 FROM 47pF > 470pF
 4. C46 Moved >> Fuse

9439 ISSUE 3: 12/02/08
 CN0395: Change VR2 from a 220KA to a 220KB.

ISSUE4:
 UPDATED TRANSFORMER
 DETAILS: 19/09/08

TRANSFORMER 006223 WIRING DETAILS

NOTE: VOLTAGE ONLY SELECTABLE IF USING UNIVERSAL MAINS TRANSFORMER 6223
 IF USING ALTERNATIVE TRANSFORMER, PLEASE SEE SEPERATE WIRING SHEET



NOTE: ALL CAPACITORS 63V MINIMUM UNLESS STATED
 NOTE: ALL RESISTORS 1/4W UNLESS STATED

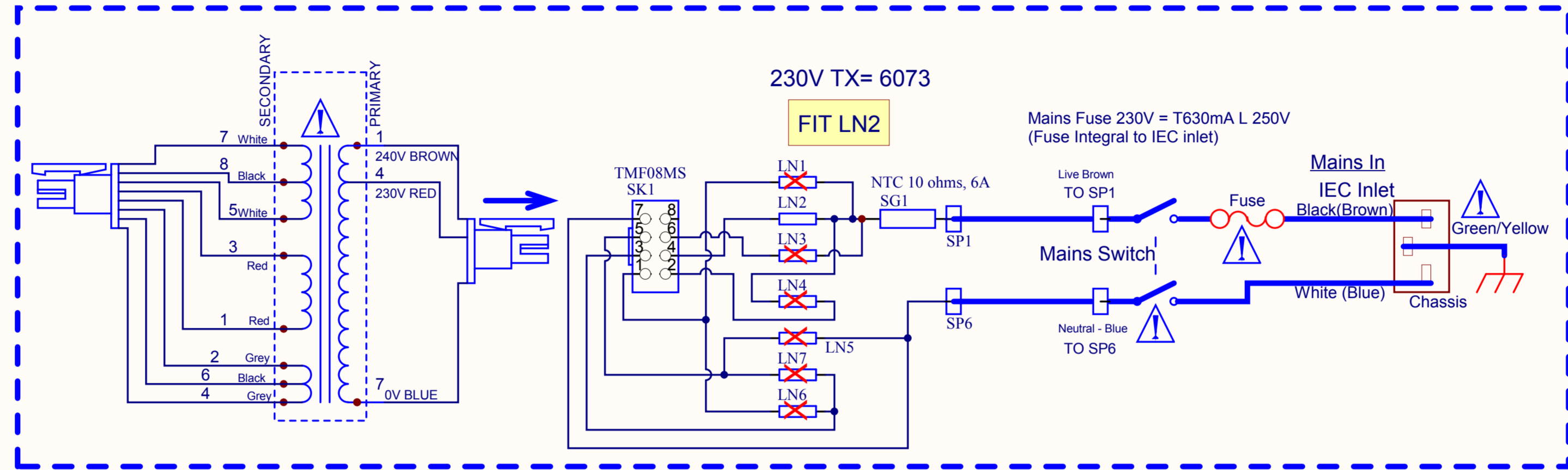
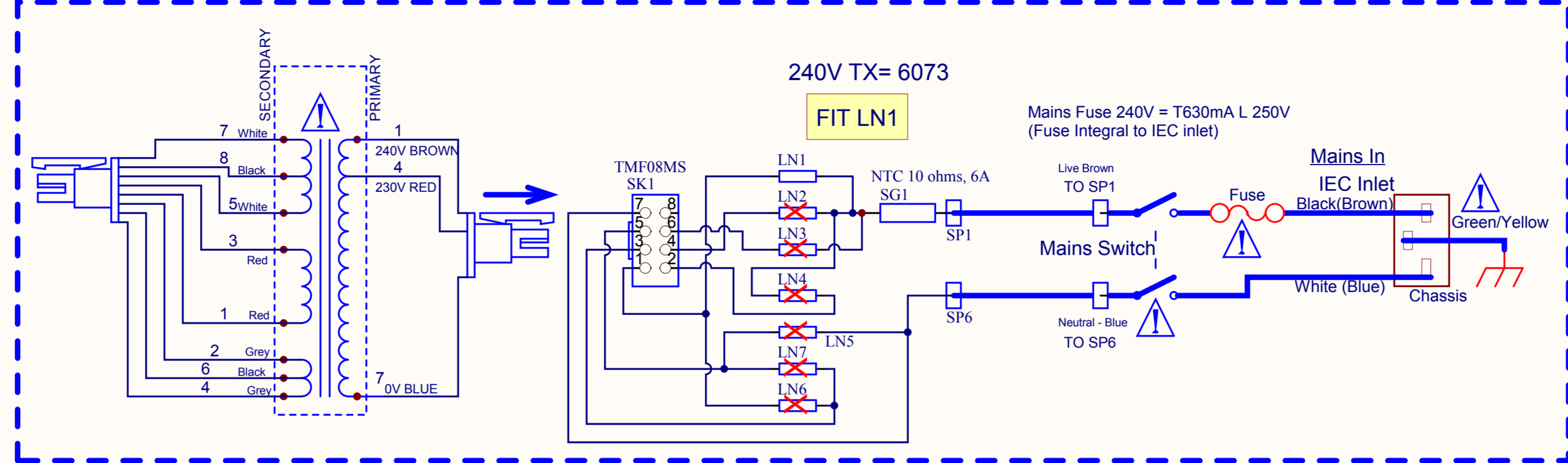
- FP Flame proof resistor
 Must only be replaced with same type and rating
- CS Indicates safety critical component
 Must only be replaced with approved type

Title: VC30 (2008) System Schematic		Revision: 4	
Size: A3	Number: Misc	Date: 19/09/2008	
Original File: VC30(2008)-SYSTEM.SchDoc		Drawn: RST	Sheet 1 of 1

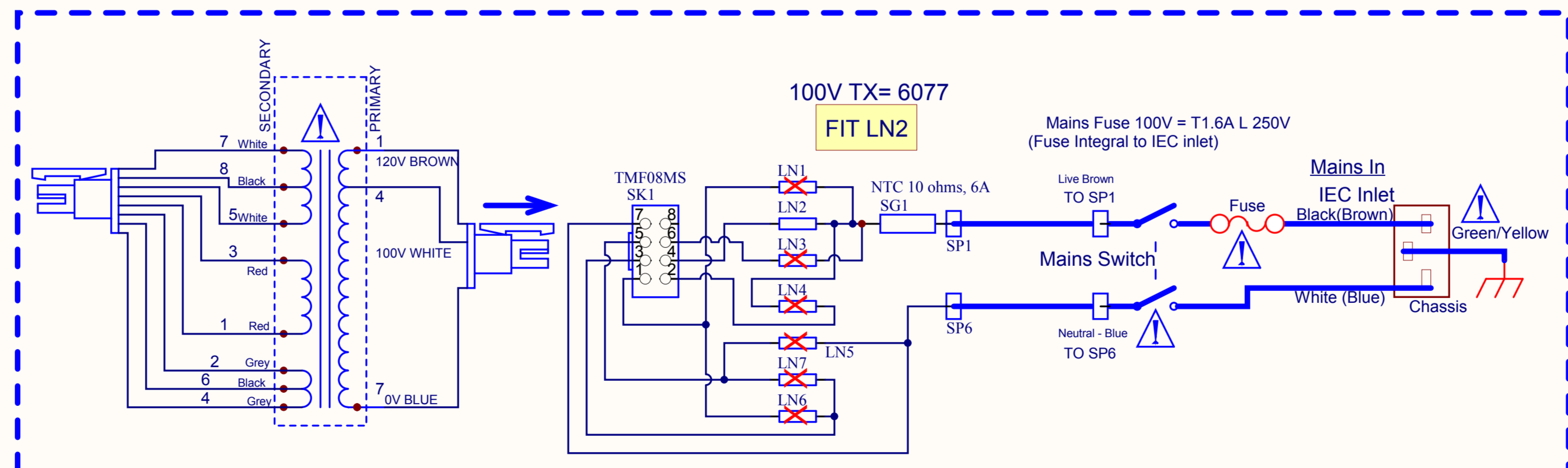
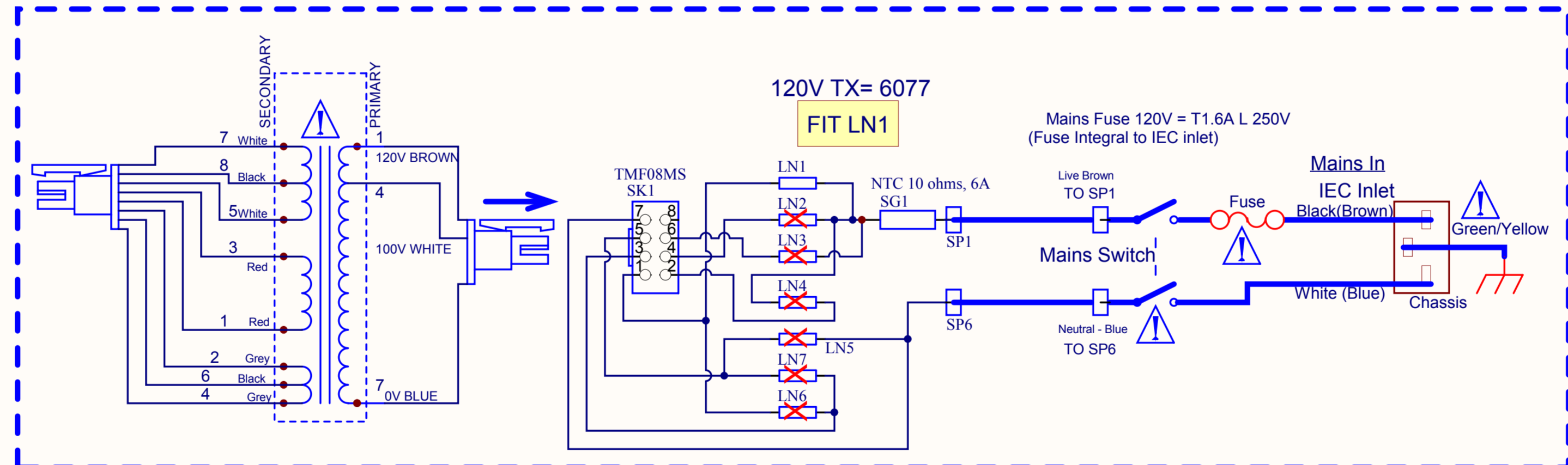
Steelpark Road
 Coombs Wood
 Industrial Estate West
 Halesowen, UK
 B62 8HD
 www.laney.co.uk

Laney
 POWER TO THE MUSIC

TRANSFORMER 6073. (INTER-CHANGEABLE 230V OR 240V)



TRANSFORMER 6077. (INTER-CHANGEABLE 100V OR 120V)



Title: ALTERNATIVE-TRANSFORMERS

Size: A3 Number: Revision: 1

Date: 19/09/2008 Time: 09:42:27 Sheet 2 of 2

Original File: LC30(2008)-TRANSFORMERS.SchDoc

SteelPark Road
Coombs Wood
Industrial Estate West
Halesowen
UK

Laney
POWER TO THE MUSIC

www.laney.co.uk

VC30-112 SPARE PARTS LIST



Model No. VC30-112 (2008)					
SPARES ITEM		DESCRIPTION		PART No.	
Transformers	100V	TI-037585	100-120V Mains	006077	
	120V	TI-037585	100-120V Mains	006077	
	230V	TI-037586	230V Mains	006073	
	O/P		Output TX 30W	006072	
Switch	Power	5A DPDT	Rocker Switch	530027	
	Standby				
	Bright				
	Drive				
Mains Inlet Skt & Fuses	110-120V	T1.5A	Spiral wound 20mm	005519	
	220-240V	T630mA	Spiral wound 20mm	005507	
	In Skt		Mains Inlet IEC Fused	005005	
PCB's	9441	Tube PCB - Complete		007484	
			0.9A Poly Switch	005103	
			6A Poly Switch	007390	
			Surge Guard 10 Ohm 6A	007530	
			22uF 450V Capacitor	007204	
			4K7 5W Resistor	001733	
			470R 5W Resistor	001700	
			56R 5W Resistor	007224	
			ECC83 VT9 Valve Base PCB Mount	007531	
			20mm Horizontal Fuse Carrier PCB Mount	007532	
			T315mA Fuse	005102	
		9439	Fascia Control PCB Complete		007482
		VR1	Clean Vol	1 Meg Log Pot 6mm Spline Bracket	004070
					005127
		VR2	Treble	220K Lin Pot 6mm Spline	004065
		VR3	Bass	220K Log Pot 6mm Spline	004078
		VR4	Mid	22K Lin Pot 6mm Spline	004061
		VR5	Drive	1 Meg Log Pot 6mm Spline	004070
		VR6	Drive Vol	220K Log Pot 6mm Spline	004078
		VR7	Reverb	220K Log Pot 6mm Spline Bracket	004078
					005127
		VR8	Tone	220K Lin Pot 6mm Spline Bracket	004065
					005127
				Relay G5V-2-H1 12V 2A	007205
		9443	FX Loop/Speaker out PCB Complete		007509
				6.3 Vert Phone Jack Mono Gold Plated - Insulated Body	007374
				6.3 Vert Phone Jack Mono - Insulated Body	007527
				6.3 Vert Phone Jack Stereo - Insulated Body	007528
				2P3W Vertical Slide Switch	007529
				2P2W Vertical Slide Switch	007373
		9430	Dual Jack Input PCB Complete		007210
				6.3 Vert Phone Jack Stereo Gold Plated - Non Insulated Body	005309
	Tubes			EL84 Matched Quad Set	005563
				ECC83 Hi-Grade	005570
				ECC83 STD	005548
				ECC83 Valve	005550
	Cabinet		Badge	Diecast Laney Badge 116mm	007474
		Fascia Panel	VC30-112-210-212 Fascia Stainless Steel	007480	
		Control Knob	Large Chicken Head	005627	
		Handle	Black Leather Strap Handle	10101	
			Vent/Handle Clip Integrated - Stainless Steel	007182	
		Loudspeaker	12" Celestion 8 Ohms	51200	
			Angle Jack Speaker Lead	010112	
		Reverb	Large Reverb Unit	10021	
			Phono Phono Lead	010007	
		Feet	38x15mm Rubber Foot with Steel Insert	007473	
		Corner	Front	Hooked Stainless Steel	10049
			Back	Non-Hooked Stainless Steel	10048
		Foot Switch	Foot Switch	FS2	
		Mains Lead	Country Dependant		
		Cabinet Carcass	VC30-112 2008 Covered Cab & Baffle (NO Fittings)	007470	
		Manual	VC30-112/210/212 (2008) User Manual	007488	
		Grille	Rear Grille	007476	
	Carton	Carton	007486		

VC30-210 SPARE PARTS LIST

Laney

Model No. VC30-210 (2008)					
SPARES ITEM		DESCRIPTION		PART No.	
Transformers	100V	TI-037585	100-120V Mains	006077	
	120V	TI-037585	100-120V Mains	006077	
	230V	TI-037586	230V Mains	006073	
	O/P		Output TX 30W	006072	
Switch	Power	5A DPDT	Rocker Switch	530027	
	Standby				
	Bright				
	Drive				
Mains Inlet Skt & Fuses	110-120V	T1.5A	Spiral wound 20mm	005519	
	220-240V	T630mA	Spiral wound 20mm	005507	
	In Skt		Mains Inlet IEC Fused	005005	
PCB's	9441	Tube PCB - Complete		007484	
			0.9A Poly Switch	005103	
			6A Poly Switch	007390	
			Surge Guard 10 Ohm 6A	007530	
			22uF 450V Capacitor	007204	
			4K7 5W Resistor	001733	
			470R 5W Resistor	001700	
			56R 5W Resistor	007224	
			ECC83 VT9 Valve Base PCB Mount	007531	
			20mm Horizontal Fuse Carrier PCB Mount	007532	
			T315mA Fuse	005102	
		9439	Fascia Control PCB Complete		007482
		VR1	Clean Vol	1 Meg Log Pot 6mm Spline Bracket	004070 005127
		VR2	Treble	220K Lin Pot 6mm Spline	004065
		VR3	Bass	220K Log Pot 6mm Spline	004078
		VR4	Mid	22K Lin Pot 6mm Spline	004061
		VR5	Drive	1 Meg Log Pot 6mm Spline	004070
		VR6	Drive Vol	220K Log Pot 6mm Spline	004078
		VR7	Reverb	220K Log Pot 6mm Spline Bracket	004078 005127
		VR8	Tone	220K Lin Pot 6mm Spline Bracket	004065 005127
				Relay G5V-2-H1 12V 2A	007205
		9443	FX Loop/Speaker out PCB Complete		007509
				6.3 Vert Phone Jack Mono Gold Plated - Insulated Body	007374
				6.3 Vert Phone Jack Mono - Insulated Body	007527
				6.3 Vert Phone Jack Stereo - Insulated Body	007528
				2P3W Vertical Slide Switch	007529
				2P2W Vertical Slide Switch	007373
		9430	Dual Jack Input PCB Complete		007210
				6.3 Vert Phone Jack Stereo Gold Plated - Non Insulated Body	005309
	Tubes			EL84 Matched Quad Set	005563
				ECC83 Hi-Grade	005570
				ECC83 STD	005548
				ECC83 Valve	005550
Cabinet	Badge		Diecast Laney Badge 116mm	007474	
	Fascia Panel		VC30-112-210-212 Fascia Stainless Steel	007480	
	Control Knob		Large Chicken Head	005627	
	Handle			Black Leather Strap Handle	10101
				Vent/Handle Clip Integrated - Stainless Steel	007182
	Loudspeaker			10" Jensen C10Q16	51900
				Angle Jack Speaker Lead	010112
	Reverb			Large Reverb Unit	10021
				Phono Phono Lead	010007
	Feet			38x15mm Rubber Foot with Steel Insert	007473
	Corner	Front		Hooked Stainless Steel	10049
		Back		Non-Hooked Stainless Steel	10048
	Foot Switch			Foot Switch	FS2
	Mains Lead			Country Dependant	
	Cabinet Carcass			VC30-210 2008 Covered Cab & Baffle (NO Fittings)	007471
	Manual			VC30-112/210/212 (2008) User Manual	007488
	Grille			Rear Grille	007476
Carton			Carton	007486	

VC30-212 SPARE PARTS LIST



Model No. VC30-212 (2008)					
SPARES ITEM		DESCRIPTION		PART No.	
Transformers	100V	TI-037585	100-120V Mains	006077	
	120V	TI-037585	100-120V Mains	006077	
	230V	TI-037586	230V Mains	006073	
	O/P		Output TX 30W	006072	
Switch	Power	5A DPDT	Rocker Switch	530027	
	Standby				
	Bright				
	Drive				
Mains Inlet Skt & Fuses	110-120V	T1.5A	Spiral wound 20mm	005519	
	220-240V	T630mA	Spiral wound 20mm	005507	
	In Skt		Mains Inlet IEC Fused	005005	
PCB's	9441	Tube PCB - Complete		007484	
			0.9A Poly Switch	005103	
			6A Poly Switch	007390	
			Surge Guard 10 Ohm 6A	007530	
			22uF 450V Capacitor	007204	
			4K7 5W Resistor	001733	
			470R 5W Resistor	001700	
			56R 5W Resistor	007224	
			ECC83 VT9 Valve Base PCB Mount	007531	
			20mm Horizontal Fuse Carrier PCB Mount	007532	
			T315mA Fuse	005102	
		9439	Fascia Control PCB Complete		007482
		VR1	Clean Vol	1 Meg Log Pot 6mm Spline	004070
				Bracket	005127
		VR2	Treble	220K Lin Pot 6mm Spline	004065
		VR3	Bass	220K Log Pot 6mm Spline	004078
		VR4	Mid	22K Lin Pot 6mm Spline	004061
		VR5	Drive	1 Meg Log Pot 6mm Spline	004070
		VR6	Drive Vol	220K Log Pot 6mm Spline	004078
		VR7	Reverb	220K Log Pot 6mm Spline	004078
				Bracket	005127
		VR8	Tone	220K Lin Pot 6mm Spline	004065
				Bracket	005127
				Relay G5V-2-H1 12V 2A	007205
		9443	FX Loop/Speaker out PCB Complete		007509
				6.3 Vert Phone Jack Mono Gold Plated - Insulated Body	007374
				6.3 Vert Phone Jack Mono - Insulated Body	007527
				6.3 Vert Phone Jack Stereo - Insulated Body	007528
				2P3W Vertical Slide Switch	007529
				2P2W Vertical Slide Switch	007373
		9430	Dual Jack Input PCB Complete		007210
				6.3 Vert Phone Jack Stereo Gold Plated - Non Insulated Body	005309
	Tubes			EL84 Matched Quad Set	005563
				ECC83 Hi-Grade	005570
				ECC83 STD	005548
			ECC83 Valve	005550	
Cabinet	Badge		Diecast Laney Badge 116mm	007474	
	Fascia Panel		VC30-112-210-212 Fascia Stainless Steel	007480	
	Control Knob		Large Chicken Head	005627	
	Handle			Black Leather Strap Handle	10101
				Vent/Handle Clip Integrated - Stainless Steel	007182
	Loudspeaker			12" Celestion 16 Ohms	51205
				Angle Jack Speaker Lead	010112
	Reverb			Large Reverb Unit	10021
				Phono Phono Lead	010007
	Feet			38x15mm Rubber Foot with Steel Insert	007473
	Corner	Front		Hooked Stainless Steel	10049
		Back		Non-Hooked Stainless Steel	10048
	Foot Switch			Foot Switch	FS2
	Mains Lead			Country Dependant	
	Cabinet Carcass			VC30-212 2008 Covered Cab & Baffle (NO Fittings)	007472
	Manual			VC30-112/210/212 (2008) User Manual	007488
	Grille			Rear Grille	007477
Carton			Carton	007487	