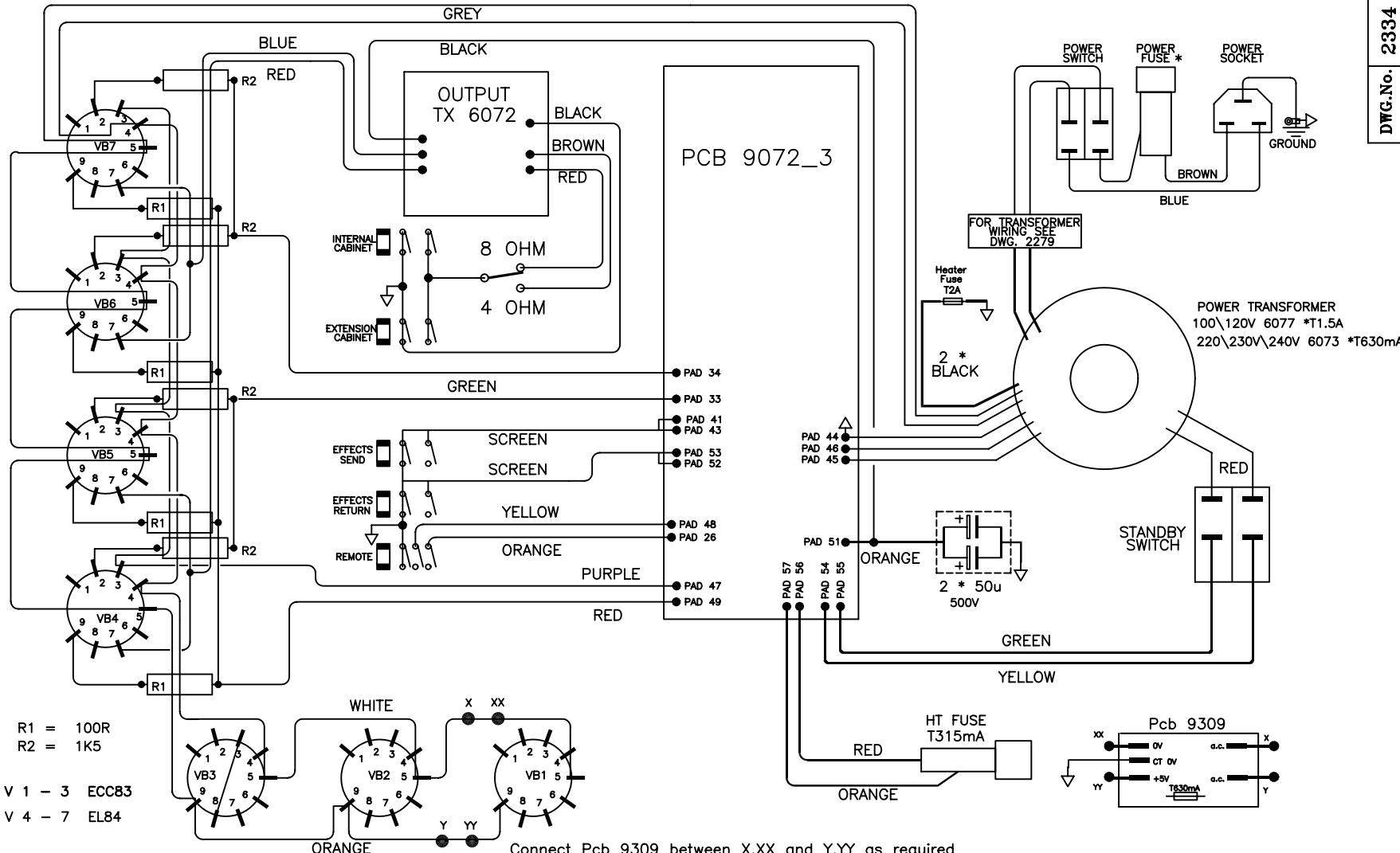


# Laney

**Service Diagrams**



R1 = 100R  
R2 = 1K5

V 1 - 3 ECC83  
V 4 - 7 EL84

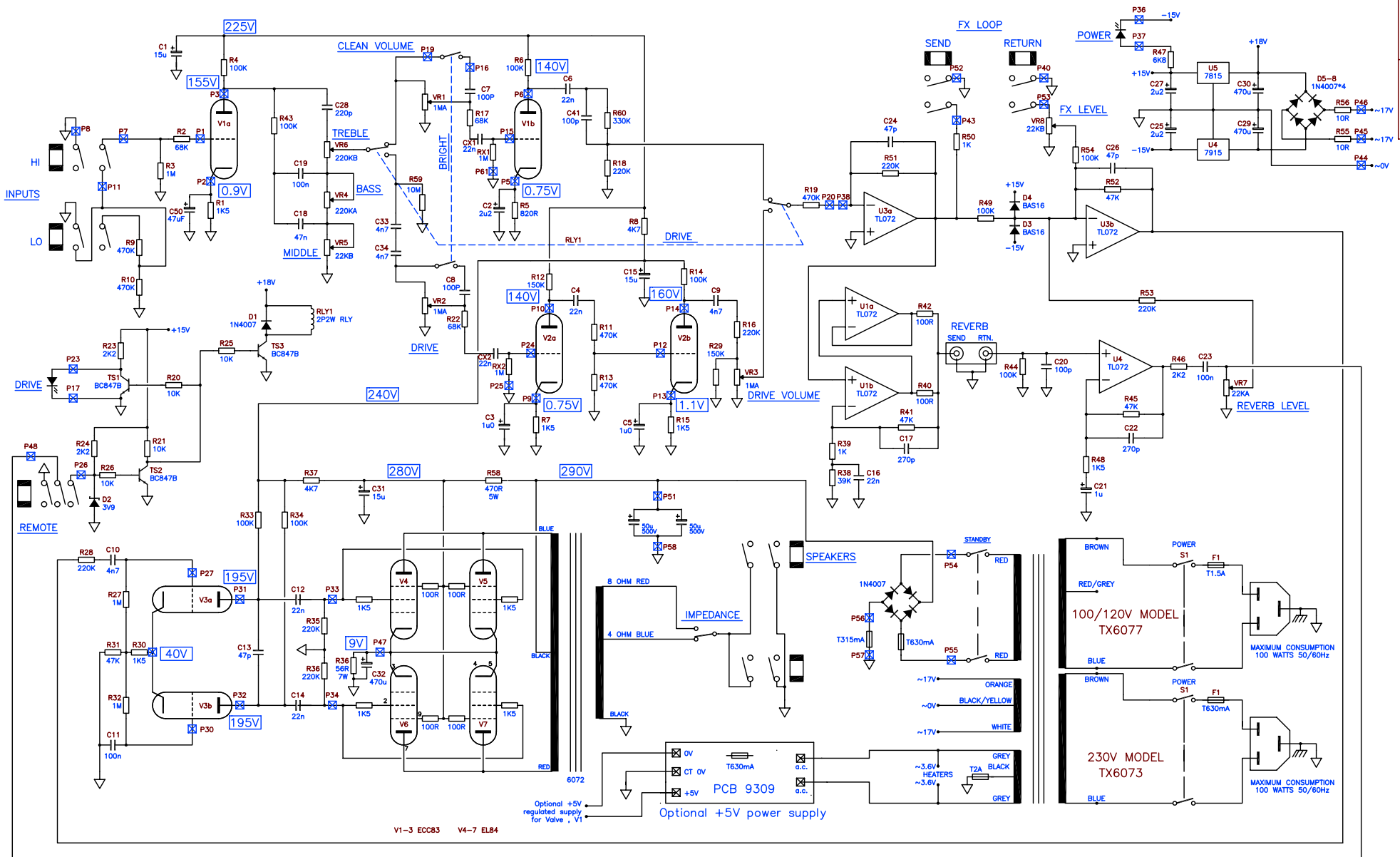
Connect Pcb 9309 between X,XX and Y,YY as required

ISSUE	DESCRIPTION	APPD.	DATE
3	Option added for regulated +5V Supply	R.J.F	8/10/98
	Fuse added in CT ground of heaters		
2	HT FUSE CHANGED FROM T500mA TO T315mA SEE CHANGE NOTE 173	S.L.	28/9/98

**LANEY**

TITLE VC30-212  
VC30-210 , VC30-112  
SCHEMATIC DIAGRAM  
PART No

DRAWN	TRACED	CHECKED	APPROVED	DATE
S.L.				11/10/94
DRAWING No.		2334		



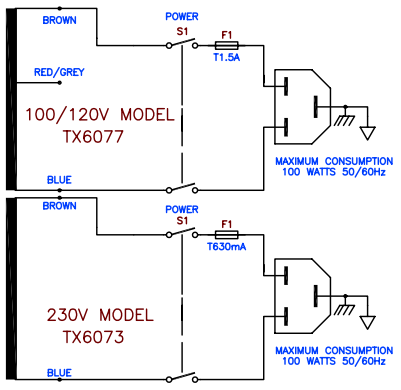
ISSUE	DESCRIPTION	APPD.	DATE
3	Added CX1,CX2,RX1,RX2. Changed C50 from 1u to 47uF	RST	21/04/04
3	Option added for regulated +5V Supply R.J.F 6073 to 230V primary + Heater V increased	SL	8/10/98
2	Ht fuse changed to T315mA from T500mA SEE CHANGE NOTE 173	S.L.	28/9/98

**LANEY**

TITLE	VC30-212 VC30-210 , VC30-112 PCB 9072_3 MODIFIED PART No
-------	---

DRAWN	TRACED	CHECKED	APPROVED	DATE
D.E.H.				20/06/95
DRAWING No.			2401	

Optional +5V regulated supply for Valve V1  
PCB 9309





Product	Description	Quantity
VC30-112E	VC30	1.0000
007340	1K5 1W RESISTOR	4.0000
001402	82R 2.5W RESISTOR	4.0000
001503	100UF 500V (2010)	1.0000
002032	4N7 1000V CERAMIC	4.0000
002804	NEW TYPE MAINS SOCKET-UL	1.0000
005005	T315ma 20mm FUSE	1.0000
005102	20mm FUSE INSERT	1.0000
005501	1 1/4" FUSE CARRIER	1.0000
005502	20mm T630ma FUSE	1.0000
005507	5MM SOLDER TAG	1.0000
005511	6mm SOLDER TAG	3.0000
005512	20mm T2A FUSE	1.0000
005526	LARGE GRIPPA CLIP	2.0000
005536	SMALL GRIPPA CLIP	4.0000
005543	B9A VALVE BASE	3.0000
005546	ECC83 VALVE STANDARD	2.0000
005548	100mm TIE WRAP	8.0000
005558	SPST MINI ROCKER	1.0000
005560	EL84 (SOVTEC)	4.0000
005562	SPDT MINI ROCKER	1.0000
005564	20mm T500ma FUSE(UL)	2.0000
005566	B9A SCREEN CAN	3.0000
005570	ECC83 VALVE HIGHGRADE SPECIAL	1.0000
005575	EL84 WIRE & RING	4.0000
005577	B9A CHASSIS SOCKET	4.0000
005620	22mm SHORTY BUSH	1.0000
005627	LARGE CHICKEN HEAD KNOB	8.0000
005630	No 6 HEX SPACER 15.88MM	2.0000
005633	6mm BLACK NYLON BUSH	2.0000
005685	25mm PLASTIC CLAMP	1.0000
006072	VC30/LC30 OUTPUT TX	1.0000
008698	VC30 PREAMP	1.0000
001008	100K .25W RESISTOR	1.0000
001015	220K .25W RESISTOR	2.0000
001048	10M .25W RESISTOR	1.0000
001202	150K .5W 1% RESISTOR	1.0000
001207	100K .5W 1% RESISTOR	5.0000
001230	4K7 1W RESISTOR	1.0000
001300	ORO SHORTING LINK	8.0000
001303	100R 5% RESISTOR	2.0000
001304	820R 5% RESISTOR	1.0000
001305	2K2 5% RESISTOR	3.0000
001306	10K 5% RESISTOR	4.0000
001308	68K 5% RESISTOR SMD1206	3.0000
001309	1M 5% RESISTOR	3.0000
001310	100K 5% RESISTOR	3.0000
001315	47K 5% RESISTOR	4.0000
001317	39K 5% RESISTOR	1.0000
001318	6K8 5% RESISTOR	1.0000
001327	1K 5% RESISTOR	2.0000
001330	220K 5% RESISTOR	5.0000
001332	330K 5% RESISTOR	1.0000
001334	150K 5% RESISTOR	1.0000
001335	1K5 5% RESISTOR	5.0000
001336	470K 5% RESISTOR	
001500	10R 2.5W RESISTOR	CROSTER/RAPID
001700	470R 5W RESISTOR	RS/RAPID
001707		
001920	ZERO OHM RESISTOR	
002002		
002012		
002020		
002024		
002025		
002400		
002401		
002403		
002410		
002412		
002417		
002420		
002602		
002603	100PF 50V 10% COG	STERLING/TREMIVER 2.0000
002603	100PF 50V 10% COG	STERLING/TREMIVER 2.0000
002604	270PF 50V 10% COG	2.0000
002801	220PF 250V CERAMIC	1.0000
002817	100PF 100V CERAMIC	2.0000
002818	47PF 500V CERAMIC	1.0000
003000	1N4007 DIODE	9.0000
003007	3V9 .5W ZENER DIODE	TRANSONICS
003500		
003503	BC847B TRANSISTOR	
003508	34072 IC (SMD TL072)	
003901	7815 IC VOLT'REGULATOR	
003902	7915 IC VOLT'REGULATOR	
004074		
004096		
004097		
004098		
005009	SINGLE TERMINAL PIN	
005022		
005096	MONO JACK SOCKET-GOLD	
005566	20mm T500ma FUSE(UL)	
005605		
005622	DUAL PHONO SOCKET	
009072		
009970		

Product	Description	Quantity
501006	4K7 .5W RESISTOR	1.0000
588006	POP RIVET (BLACK)	2.0000
008804	GC30V SOCKET ASSY	1.0000
005003	STEREO JACK SOCKET	1.0000
10004	MONO JACK SOCKET	2.0000
008806	VC30 SOCKET	1.0000
005002	MONO JACK SOCKET	2.0000
009150	3mm HEX NUT ZINC ONLY	1.0000
009151	3mm INT SHAKEPROOF	1.0000
009156	3*25mm PAN POZI	1.0000
009160	4mm HEX NUT	5.0000
009161	4mm INT. SHAKEPROOF	10.0000
009162	4*12mm PAN POZI	4.0000
009171	M5 INT SHAKEPROOF WASHER	6.0000
009173	5*12mm PAN POZI ZINC	1.0000
009174	2BA NYLOC NUT	2.0000
009175	M6 HEX NUT ZINC ONLY	1.0000
009179	2BA * 1/2 PAN POZI	2.0000
009181	5mm BRASS HEX NUT	1.0000
009184	NO6 * 3/8 SELF TAP	4.0000
009185	5mm PLAIN NATURAL RIVET	17.0000
009187	NO.8 SPIRE FASTENER	4.0000
009189	5mm CAGE NUT	9.0000
009215	6x60mm SKT.CAP SCREW	1.0000
009229	8*3/8 FH POZI	4.0000
009233	POP RIVET 4*7	1.0000
530027	DPST EQ MAINS SWITCH	3.0000
540024	20mm FUSE CARRIER	1.0000
540030	T2A FUSE LABEL	1.0000
540037	FLASH SYMBOL WARNING LABEL	1.0000
540038	EARTH WARNING LABEL	1.0000
541004	HC25/50 4.8 FASTON	5.0000
584062	6MM FLAT TX WASHER ZINC	2.0000
8P-8520	VC30 FACIA	1.0000
79093	COLD ROLLED STEEL	0.1110
8M-8520	VC30-210/112 Facia	1.0000
8CP-8520	VC30 FACIA	1.0000
8SP-8520	VC30 FACIA	1.0000
8P-8521	VC30 CHASSIS	1.0000
79020	ZINTEC SHEET/1Mx0.65Mx1.6MM	0.3330
8M-8521	VC30-210/112 Chassis	1.0000
8PC-8521	VC30 CHASSIS	1.0000
8SP-8521	VC30 CHASSIS	1.0000
8T-6073A	VC30 MAINS TX + CRIMPS	1.0000
8T-6073	VC30/GC30V WASHER	1.0000
008004	HI-POT LABEL	1.0000
71001	CORE 6021/27/52	1.1000
72005	COPPER WIRE 1.32 DIA	0.0960
72007	COPPER WIRE 0.4 DIA	0.3470
73000	POLYESTER MYLAR 13MM	40.0000
73002	CLEAR ADHESIVE TAPE	3.0000
73006	100MM CABLE TIES	1.0000
74020	1.5 BLACK SLEEVING	0.2500
74021	1.5 BROWN SLEEVING	0.2500
74023	1.5 BLUE SLEEVING	0.2500
74024	1.5 RED SLEEVING	0.5000
74025	1.5 YELLOW SLEEVING	0.2500
74026	1.5 WHITE SLEEVING	0.2500
74027	1.5 ORANGE SLEEVING	0.2500
75003	90MM x 3MM THICK	1.0000
75004	POTTING COMPOUND	0.2000
75010	3.5*1.5 AVERY LABEL	1.0000
74070	10mm BLACK SLEEVING	0.0800
74075	12mm BLACK SLEEVING	0.0700
74042	2.0 GREY SLEEVING	0.3500
74040	2.0 BLACK SLEEVING	0.3800
541004	HC25/50 4.8 FASTON	4.0000
10702	SPECIAL MAINS LEAD	1.0000
10910	VC30 USER MANUAL	1.0000
20316	VC30112 CABINET	1.0000
005536	LARGE GRIPPACLIP	2.0000
009170	5mm HEX NUT	4.0000
10001	LARGE REVERB BAG	1.0000
10003	OUTWORK ASSY REVERB BAG COST	1.0000
10316	GRANITE VYNHYDE-BLACK	0.1515
10007	PHONO/PHONO LEAD	1.0000
10021	LARGE REVERB	1.0000
10048	BACK CHROME CORNER	4.0000
10049	FRONT CHROME CORNER	4.0000
10055	PLASTIC CABINET FOOT	4.0000
10057	SMALL LANEY BADGE	1.0000
10101	LEATHER STRAP HANDLE	1.0000
10102	CHROME ANGLED JACK	1.0000
10208	NO.8 X 1 1/4" CSK	7.0000
10211	SPEAKER BOLT	4.0000
10224	35mm FINISHED NAIL	30.0000
10226	STAPLE 71/6	70.0000
10231	No8x1/2" FLANGE POZI	2.0000
10233	M5*30 FLANGE POZI BK	9.0000
10240	10 * 1 CSK POZI	4.0000
10245	No4*1/2 CSK POZI	2.0000
10246	No10*1/2 FLANGE POZI	4.0000
10247	No8*1/2 FLANGE POZI	20.0000
10253	NO6*5/8 PAN POZI ST	12.0000
10300	12mm CHIPBOARD	0.1000
10301	18mm CHIPBOARD	0.2500
10307	WHITE TADPOLE PIPING	1.5000
10308	GREY FRONTFRET	0.3000
10314	18mm MDF	0.1000
10318	BASKETWEAVE	1.2000
10600	32/18 STAPLE	12.0000

Product	Description	Quantity
-10621	POLY. BAG 30(0) X 36	1.0000
-10629	MASKING TAPE 1.5"	1.0000
-10420	TF300/4/5 CARTON 30546	1.0000
-10981	GLUE/PAINT COST 1.25	1.0000
-10984	PACKING COST @1.00	1.0000
-51200	70 EIGHTY 8 OHM	1.0000
-8G-VC30	518*143	1.0000
-8PCG-VC30	POWDER COAT	1.0000
-8M-VC30	Mesh	1.0000
-8P-8522	VC30 VENT PLATE	2.0000
-79091	COLD ROLLED STEEL	0.0200
-8M-8522	VC30 Vent Plate	2.0000
-8CP-8522	VC30 VENT PLATE "SMALL"	2.2000