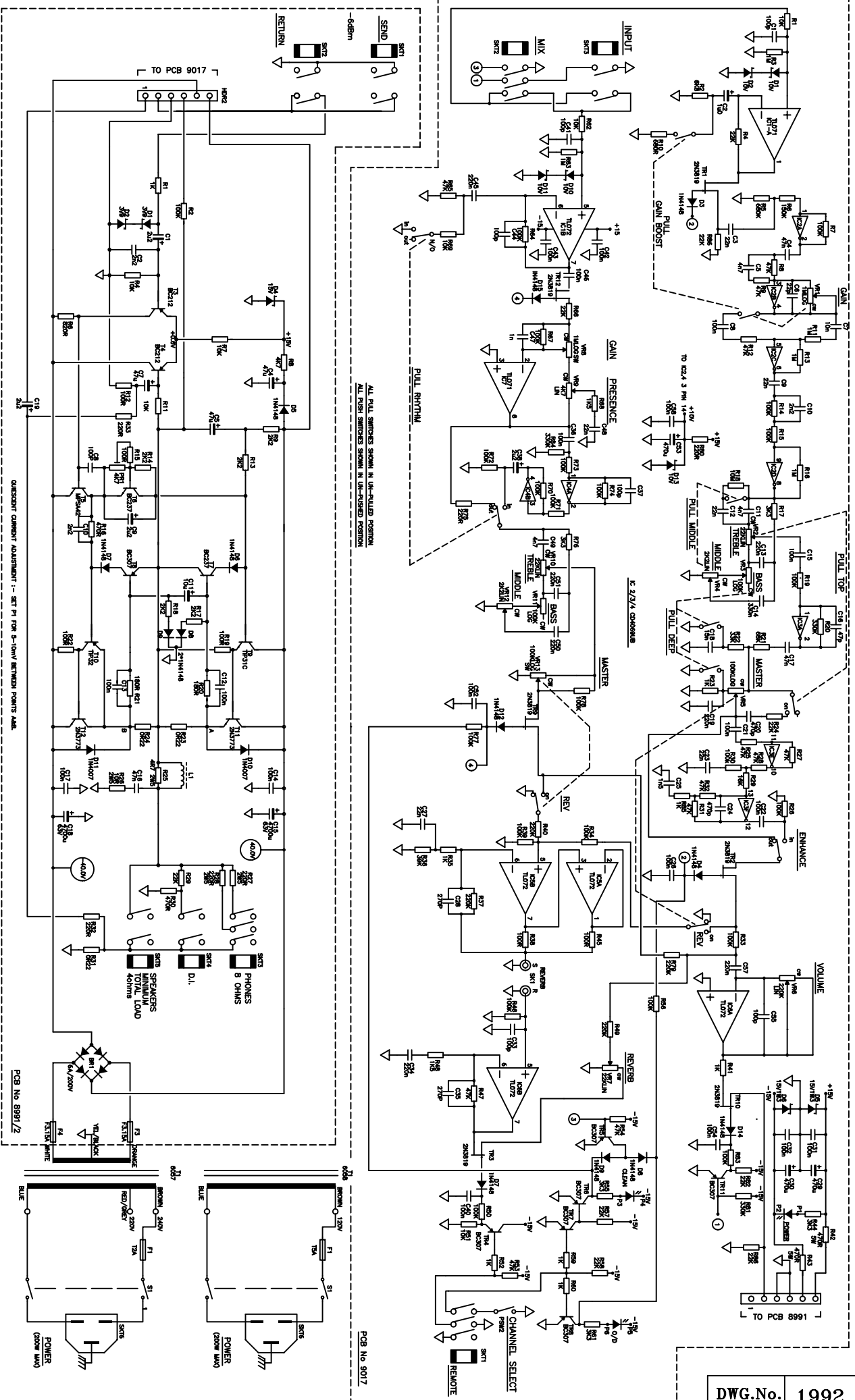


ISSUE	DESCRIPTION	APPD. DATE
2	TR 1 2 & D 1 S ADDED	R.J.F 3/08/92

TITLE	WORLD SERIES 120R CIRCUIT DIAGRAM
PART No	

DRAWN	D.E.H	TRACED	CHECKED	APPROVED	DATE
DRAWING No.	1992				19/03/92



DWG.No. 1992

Laney

Service Diagrams