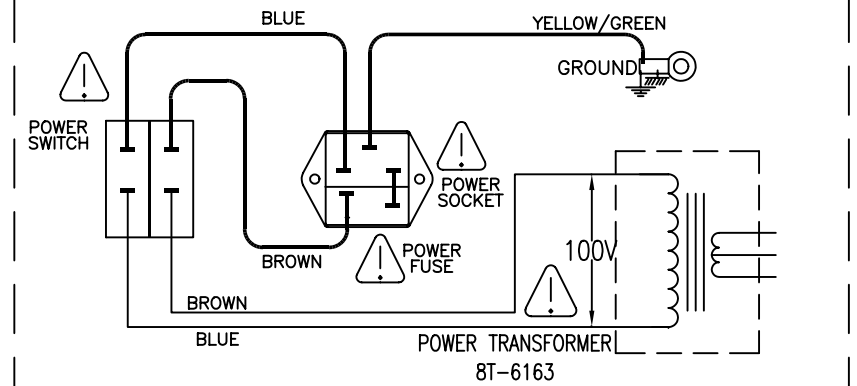
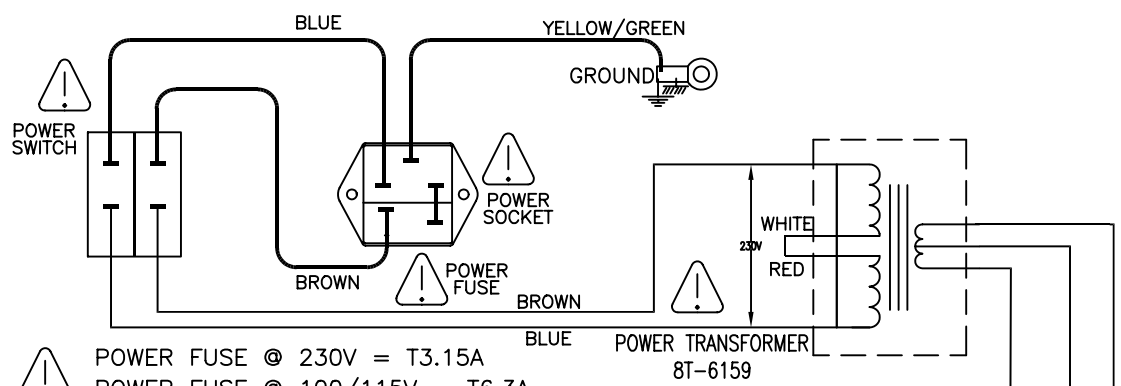


R5
Service
Information

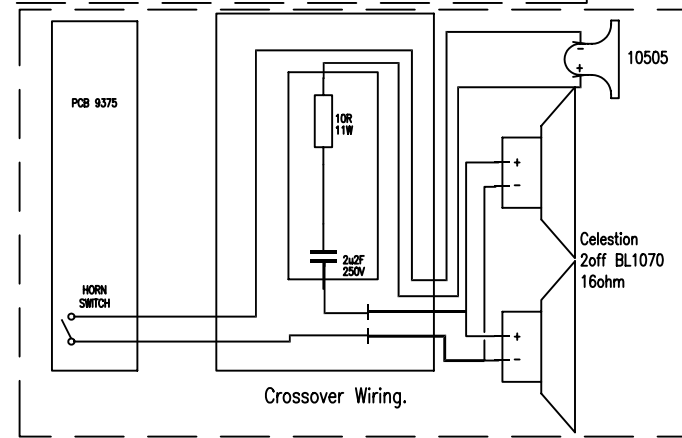
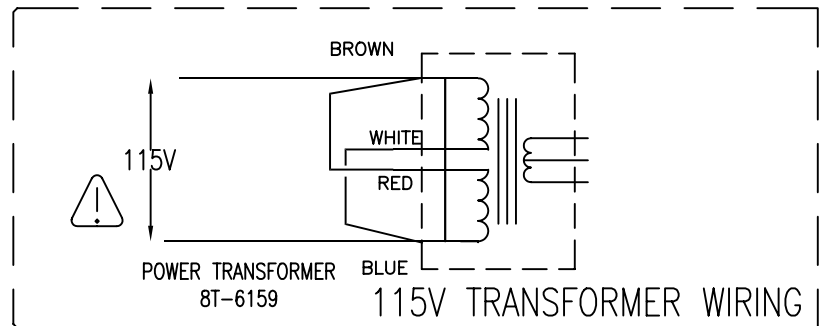
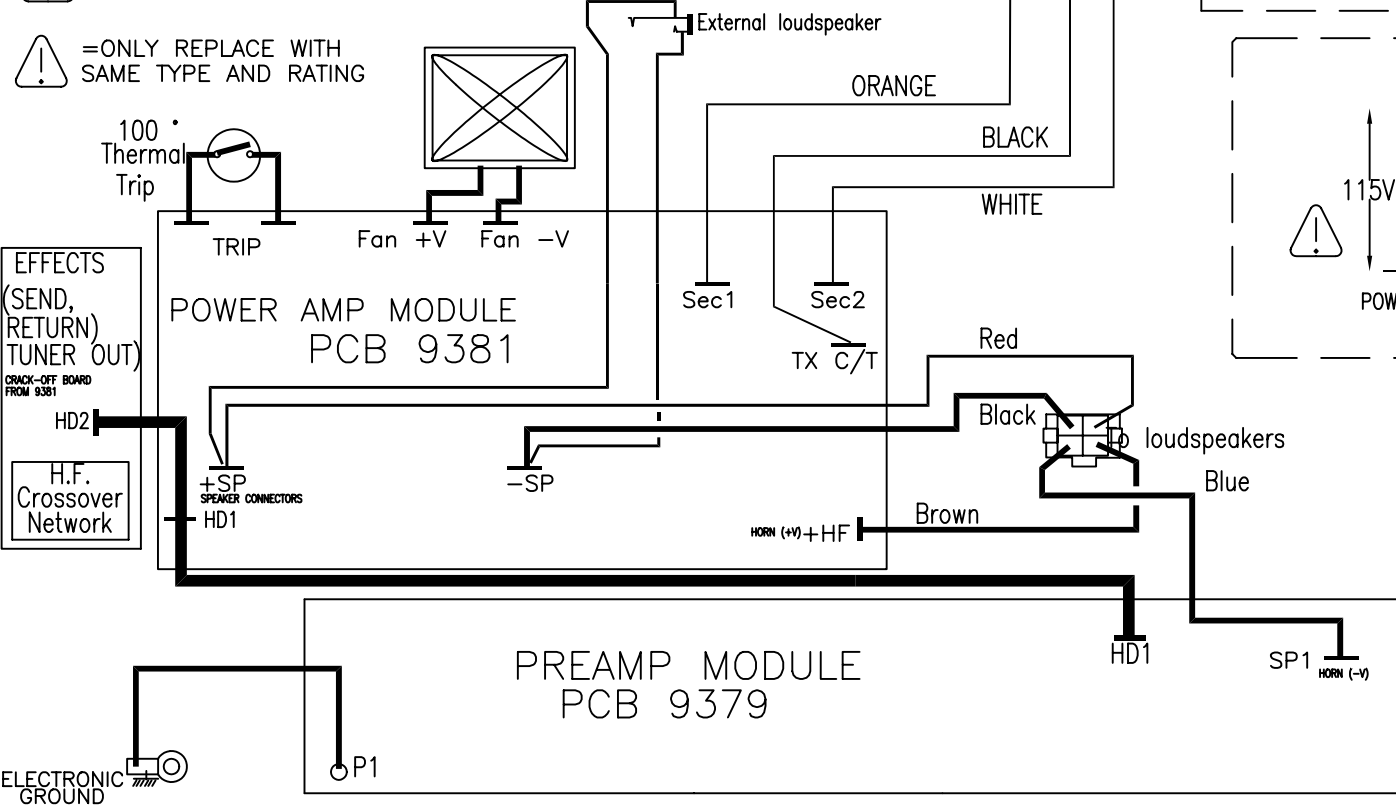
Laney
Classic British Amplification

Newlyn Road, Cradley Heath, West Midlands. B64 6BE
www.laney.co.uk



- ⚠ POWER FUSE @ 230V = T3.15A
- ⚠ POWER FUSE @ 100/115V = T6.3A
- ⚠ POWER TRANSFORMER @ 230V / 115V = 6159
- ⚠ POWER TRANSFORMER @ 100V = 6163

⚠ = ONLY REPLACE WITH SAME TYPE AND RATING



EFFECTS (SEND, RETURN) TUNER OUT)
CRACK-OFF BOARD FROM 9381
 HD2
 H.F. Crossover Network
 HD1

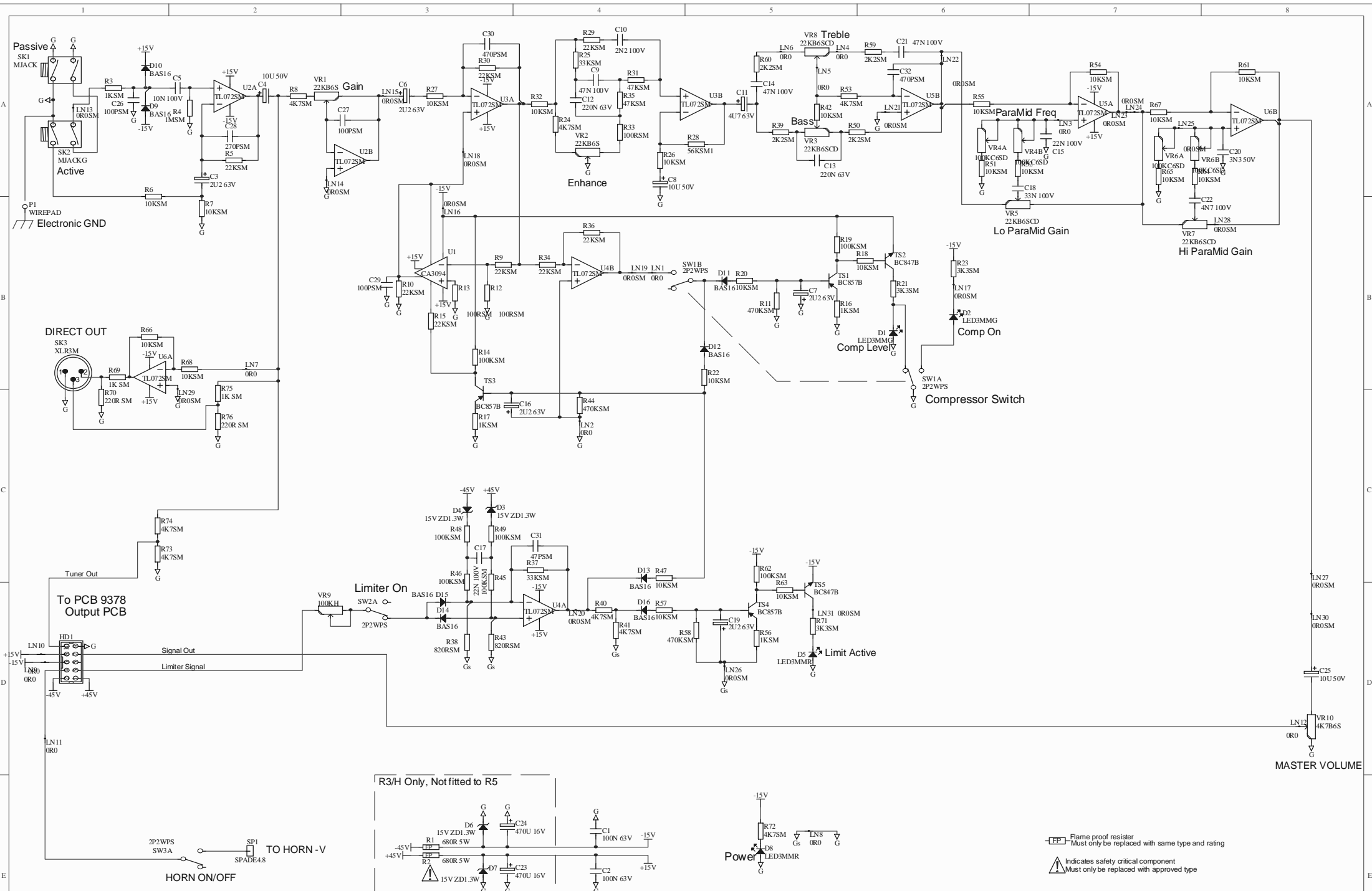
PREAMP MODULE PCB 9379

ISSUE	DESCRIPTION	APPD.	DATE

BLT
Industries Ltd.

TITLE
R5 SERVICE DIAGRAM
 PART No

DRAWN	TRACED	CHECKED	APPROVED	DATE
R.J.F				12/12/02
DRAWING No.		3386		



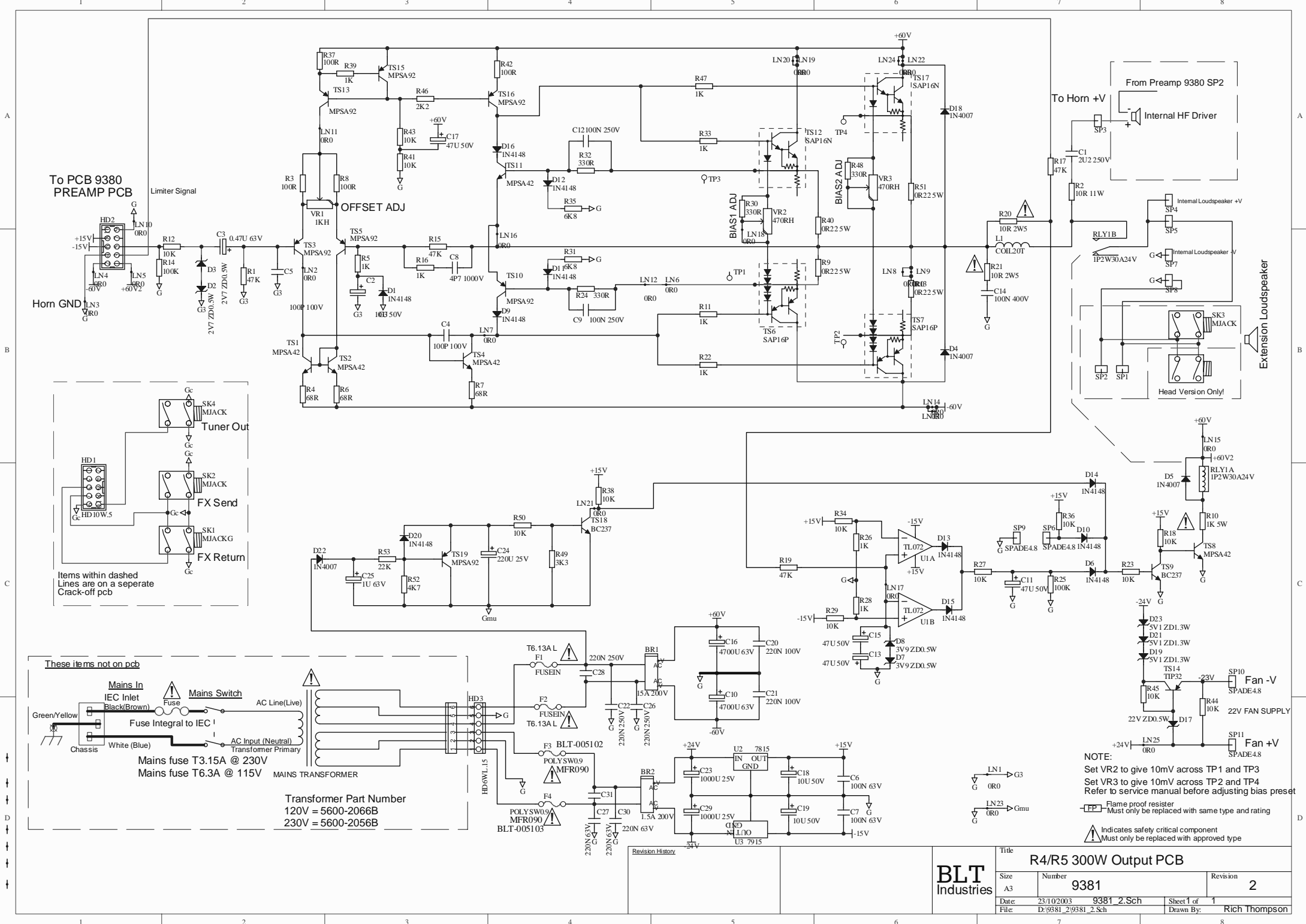
Flame proof resistor
Must only be replaced with same type and rating

Indicates safety critical component
Must only be replaced with approved type

Revision History	
- R70, R76 From 820r to 220r	See CN0337
- R69, R75 from 470r to 1K	

BLT Industries

Title			
R3/R5 Bass Preamp			
Size	Number	Revision	
A2	9379	2	
Date:	10/02/2004	9379 2_Sch	Sheet 1 of 1
File:	D:\Work-in-Progress\...9379 2_Sch	Drawn By:	Rich Thompson



To PCB 9380
PREAMP PCB

Limiter Signal

OFFSET ADJ

BIAS ADJ

From Preamp 9380 SP2

To Horn +V

Internal HF Driver

Internal Loudspeaker +V

Internal Loudspeaker -V

Head Version Only!

Extension Loudspeaker

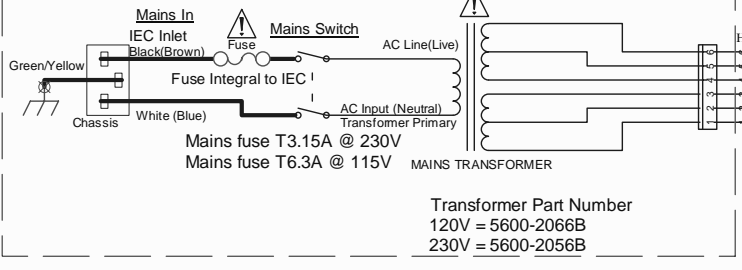
Tuner Out

FX Send

FX Return

Items within dashed Lines are on a separate Crack-off pcb

These items not on pcb



Mains fuse T3.15A @ 230V
Mains fuse T6.3A @ 115V

Transformer Part Number
120V = 5600-2066B
230V = 5600-2056B

NOTE:
Set VR2 to give 10mV across TP1 and TP3
Set VR3 to give 10mV across TP2 and TP4
Refer to service manual before adjusting bias preset
Flame proof resistor
Must only be replaced with same type and rating

Indicates safety critical component
Must only be replaced with approved type

Revision History

BLT Industries

Title		R4/R5 300W Output PCB	
Size	Number	Revision	
A3	9381	2	
Date:	23/10/2003	Sheet 1 of 1	
File:	D:\9381_2\9381_2.Sch	Drawn By:	Rich Thompson

Product	Descriptor	Quantity	Pr
R5E	R5 RICHTER BASS COMBO 300W-230V		
540021	20mm T3.15A FUSE	1.0000	
10702	SPECIAL MAINS LEAD	1.0000	
10969	R SERIES USER MANUAL	1.0000	
008468	R5 CHASSIS ASSY 230/	1.0000	
005005	NEW TYPE MAINS SOCKE	1.0000	
005124	TAICOM TMF04MC 4PIN	1.0000	
005308	80*80*25mm FAN 24V I	1.0000	
005115	R4/4H/5 - IDC CABLE	1.0000	
005511	5MM SOLDER TAG	2.0000	
005555	80mm METAL FAN GUAR	1.0000	
005558	100mm TIE WRAP	4.0000	
005665/C	12mm KNOB C/P	9.0000	
006159	R4/H/R5 MAINS TX 115	1.0000	
008322	LABEL VOLTAGE SELEC	1.0000	
008469	R5 PREAMP PCB ASSY	1.0000	
001300	ORO SHORTING LINK	19.0000	
001303	100R 5% RESISTOR	3.0000	
001304	820R 5% RESISTOR	3.0000	
001305	2K2 5% RESISTOR	2.0000	
001306	10K 5% RESISTOR	22.0000	
001309	1M 5% RESISTOR	22.0000	
001310	100K 5% RESISTOR	7.0000	
001311	470R 5% RESISTOR	3.0000	
001312	4K7 5% RESISTOR	9.0000	
001315	47K 5% RESISTOR	2.0000	
001316	22K 5% RESISTOR	6.0000	
001319	15K 5% RESISTOR	1.0000	
001326	3K3 5% RESISTOR	3.0000	
001327	1K 5% RESISTOR	6.0000	
001331	33K 5% RESISTOR	1.0000	
001336	470K 5% RESISTOR	3.0000	
001920	ZERO OHM RESISTOR	7.0000	
001923	56KSM 1206 1% RESIST	1.0000	
002013	10UF 50V CAPACITOR	3.0000	
002024	2.2UF 63V RADIAL	5.0000	
002027	4.7UF 63V RADIAL	1.0000	
002037	220N 5MM BOX POLY CA	2.0000	
002415	2.2NF 100V 5mm	1.0000	
002416	3.3NF 50V 5mm	1.0000	
002417	4.7NF 100V 5mm	1.0000	
002419	100NF 63V 5mm	2.0000	
002420	22NF 100V 5mm	2.0000	
002421	10NF 100V 5mm	1.0000	
002425	47NF 100V 5mm	1.0000	
002426	15NF 100V 5mm	1.0000	
002438	68N 5MM BOXED	2.0000	
002602	47PF 50V 10% COG	1.0000	
002603	100PF 50V 10% COG	3.0000	
002604	270PF 50V 10% COG	1.0000	
002605	470PF 50V 10% COG	2.0000	
003014	15V 1.3W ZENER	2.0000	
003022	3mm GREEN LED	3.0000	
003033	3mm LED RED	1.0000	
003500	BAS16 DIODE	8.0000	
003503	BC847B TRANSISTOR	2.0000	
003504	BC857B TRANSISTOR	3.0000	
003508	34072 IC (SMD TL072)	5.0000	
003916	CA3094E/CA3080E IC	1.0000	
004029	100K HORIZ PRESET	1.0000	
004061	6mm 22K LIN POT	2.0000	
004072	6mm 4K7 LIN POT	1.0000	
004075	6mm 100KC DUAL POT	2.0000	
004099	22K LIN POT	4.0000	
005002	MONO JACK SOCKET	1.0000	
005017	2P 2W PUSH SWITCH	3.0000	
005079	IDC PCB PLUG 10-WAY	1.0000	
005096	MONO JACK SOCKET-GOL	1.0000	
005503	7.5mm ROUND BLACK BU	3.0000	
005624	XLR SKT MALE 90DEG	1.0000	
005686	4.8MM TERMINAL SPADE	1.0000	
009379	R3/R5 BASS PREAMP PC	1.0000	
008464	R4/R5 OUTPUT PCB ASS	1.0000	
001003	1K .25W RESISTOR	7.0000	
001005	2K2 .25W RESISTOR	1.0000	
001006	4K7 .25W RESISTOR	1.0000	
001007	6K8 .25W RESISTOR	2.0000	
001008	100K .25W RESISTOR	3.0000	
001010	47K .25W RESISTOR	3.0000	
001013	22K .25W RESISTOR	5.0000	
001014	10K .25W RESISTOR	13.0000	
001021	100R .25W RESISTOR	4.0000	
001022	3K3 .25W RESISTOR	1.0000	
001035	68R .25W RESISTOR	3.0000	
001042	1K5 .25W RESISTOR	2.0000	
001500	10R 2.5W RESISTOR	2.0000	
001701	1K 5W RESISTOR	1.0000	
001718	10R 11W CEMENT 5%	1.0000	
001920	ZERO OHM RESISTOR	24.0000	
002004	47UF 50V RADIAL	4.0000	
002009	1000UF 25V RADIAL	2.0000	
002013	10UF 50V CAPACITOR	2.0000	
002014	100UF 35V RADIAL	1.0000	
002021	6800UF 63V 30*40	2.0000	
002024	2.2UF 63V RADIAL	2.0000	
002025	1UF 63V RADIAL	1.0000	
002029	220UF 25V CAPACITOR	1.0000	
002035	100N 100V 5MM BOX PC	2.0000	
002037	220N 5MM BOX POLY CA	3.0000	
002200	220NF 100V 10MM	2.0000	
002410	100NF 400V 15MM	3.0000	
002419	100NF 63V 5mm	2.0000	
002431	2.2UF 250V POLYESTER	1.0000	
002807	4.7PF 50V CERAMIC	1.0000	
002817	100PF 100V CERAMIC	2.0000	
003000	1N4007 DIODE	4.0000	
003004	2V7 .5W ZENER DIODE	2.0000	
003006	1N4148 DIODE	11.0000	
003017	1.5A 200V BRIDGE	1.0000	

Manufacturing

Product	Description	Quantity
003019	7V5 1.3W ZENER DIODE	2.0000
003038	22v .5w ZENER	1.0000
003809	15A INLINE BRIDGE RE	1.0000
003405	BC237 TRANSISTOR	2.0000
003411	MPSA42/43 TRANSISTOR	5.0000
003412	MPSA92/93 TRANSISTOR	7.0000
003611	TIP32C TRANSISTOR	1.0000
003807	SAP15N POWER DEVICE	2.0000
003808	SAP15P POWER DEVICE	2.0000
003901	7815 IC VOLT'REGULAT	1.0000
003902	7915 IC VOLT'REGULAT	1.0000
003909	TL072 IC	1.0000
004000	1K HORIZ PRESET	1.0000
004010	470R HORIZ PRESET	2.0000
005002	MONO JACK SOCKET	3.0000
005006	20 TURN COIL	1.0000
005022	PCB FUSE CARRIER	2.0000
005030	HEATSINK TV5	3.0000
005079	IDC PCB PLUG 10-WAY	2.0000
005096	MONO JACK SOCKET-GOL	1.0000
005103	0.9A POLY SWITCH/MF-	2.0000
005199	6W LOCKING HEADER 0.	1.0000
005594	20mm T6.3A FUSE	2.0000
005609	30A RELAY	1.0000
005686	4.8MM TERMINAL SPADE	9.0000
009381	R4/R5 BASS 300W OUTF	1.0000
8M-8878	200MM FINNED HEATSIN	1.0000
589030	15mm FUTTER PLATE	2.0000
009161	4mm INT. SHAKEPROOF	1.0000
009171	M5 INT SHAKEPROOF WA	2.0000
009173	5*12mm PAN POZI ZINC	1.0000
009175	M6 HEX NUT ZINC ONLY	1.0000
009181	5mm BRASS HEX NUT	1.0000
009187	NO.8 SPIRE FASTENER	6.0000
009201	NO8*3/8 PLASTITE	4.0000
009204	NO 4*1/4 PLASTITE	2.0000
009229	8*3/8 FH POZI	5.0000
009233	POP RIVET 4*7	3.0000
009234	4*1/2" AB POZI-ZINC	4.0000
10004	MONO JACK SOCKET	1.0000
530027	DPST EQ MAINS SWITCH	1.0000
540038	EARTH WARNING LABEL	1.0000
541004	HC25/50 4.8 FASTON	11.0000
586003	M8 * 60 COACH BOLT	1.0000
586022	8MM FLAT TX WASHER 2	1.0000
586023	8mm SHKPRF WASHER	1.0000
588006	POP RIVET (BLACK)	2.0000
8M-8876	R5 CHASSIS DWG.3349	1.0000
8M-8880	R4/R5 Heatsink Suppc	2.0000
8SP-8876	R5 PRINT COST	1.0000
20115	R5 CABINET	1.0000
005126	TAICOM TMF04C 4PIN C	1.0000
10039	CORNER PENN P/N.C183	4.0000
10057	SMALL LANEY BADGE	1.0000
10059	RUBBER CABINET FOOT	8.0000
10157	PLASTIC STRAP HANDLE	1.0000
10108	M1702 PORT HOLE	2.0000
10200	M5 x 10mm TEENUT	10.0000
10202	5MMx25MM CSK POZI SC	2.0000
10204	5mm X 25mm PAN POZI	8.0000
10207	NO.6 X 5/8" CSK POZI	4.0000
10224	35mm FINISHED NAIL	40.0000
10231	NO8x1/2" FLANGE POZI	18.0000
10240	10 * 1 CSK POZI	4.0000
10243	NO4*1/2 TYPE B CSK	2.0000
10244	FLAT SPIRE CLIP	2.0000
10248	NO10 * 1 1/4" FLANGE	4.0000
10301	18mm CHIPBOARD	0.6500
10314	18mm MDF	0.1500
10328	REPTILE BLACK	2.0000
10476	R5 CARTON	1.0000
10505	TLX-1 (TLC-1) TWEETE	1.0000
10600	32/18 STAPLE	16.0000
10622	POLY BAG 48(0) X 48	1.0000
10982	GLUE/PAINT COST 2.00	1.0000
51005	CELESTION BL1070 16	2.0000
541004	HC25/50 4.8 FASTON	4.0000
8G-R5	GRILL R5	1.0000
79063	RICHTER MESH	0.1250
8M-R5	R5 Grill	1.0000
8PCG-R5	GRILL R5	1.0000
8P-8733	RICHTER VENT	1.0000
79003	ZINTEC SHEET/1Mx1Mx1	0.0230
8PC-873	RBW100 VENT	1.0000
8M-8733	Vent	1.0000