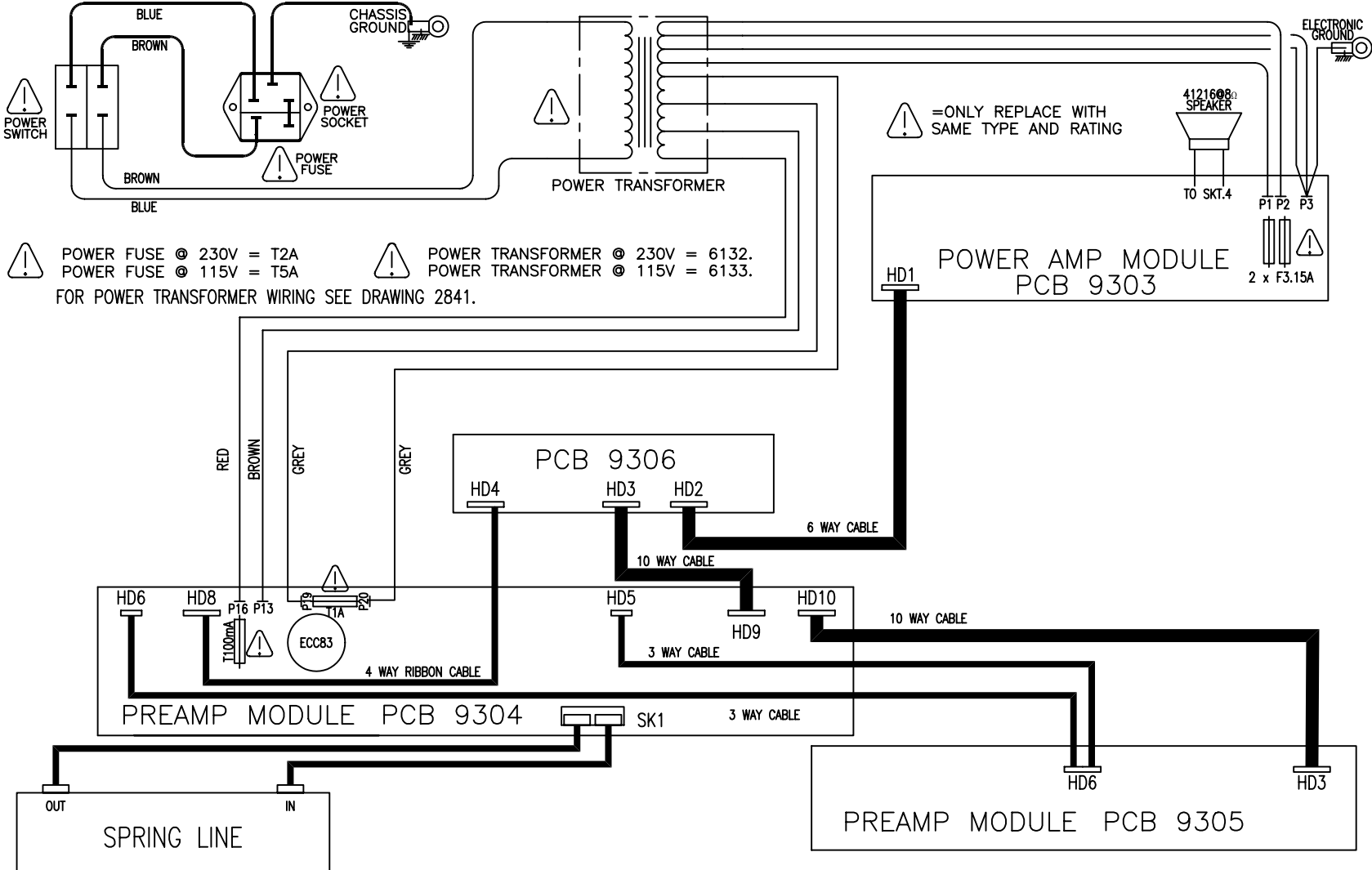


Laney

Service Diagrams



⚠ POWER FUSE @ 230V = T2A
 ⚠ POWER FUSE @ 115V = T5A
 ⚠ POWER TRANSFORMER @ 230V = 6132.
 ⚠ POWER TRANSFORMER @ 115V = 6133.
 FOR POWER TRANSFORMER WIRING SEE DRAWING 2841.

⚠ = ONLY REPLACE WITH SAME TYPE AND RATING

4121608 SPEAKER

TO SKT.4
 P1 P2 P3
 2 x F3.15A
POWER AMP MODULE
PCB 9303

RED BROWN GREY GREY
PCB 9306
 HD4 HD3 HD2

HD6 HD8 P16 P13
 100mA
 ⚠
 ECC83
PREAMP MODULE PCB 9304
 SK1

OUT IN
SPRING LINE

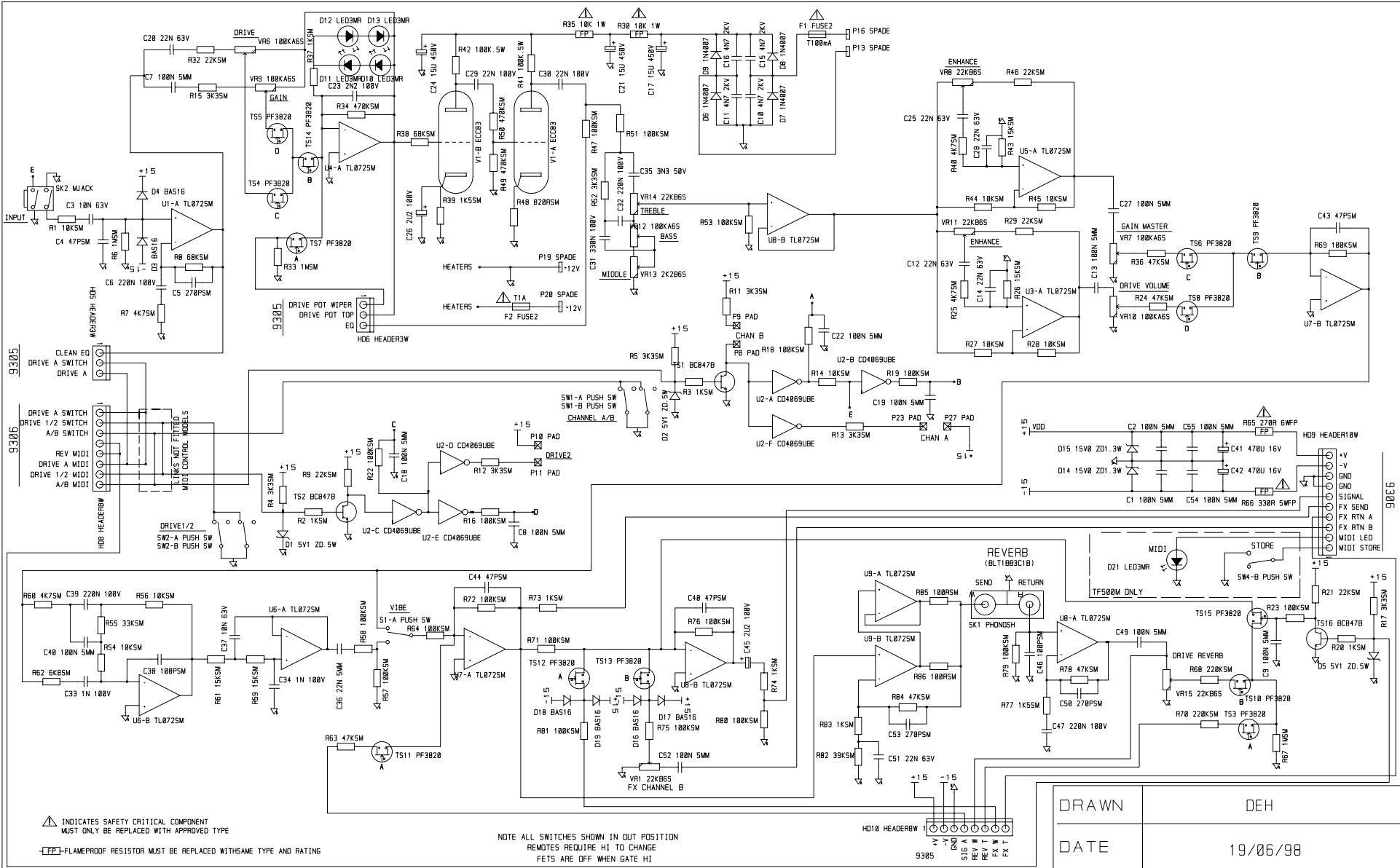
HD6 HD3
PREAMP MODULE PCB 9305

ISSUE	DESCRIPTION	APPD.	DATE

BLT
 Industries Ltd.

TITLE
TF400 SERVICE
DIAGRAM
 PART No

DRAWN	TRACED	CHECKED	APPROVED	DATE
S.L.				29/06/98
DRAWING No.		2837		



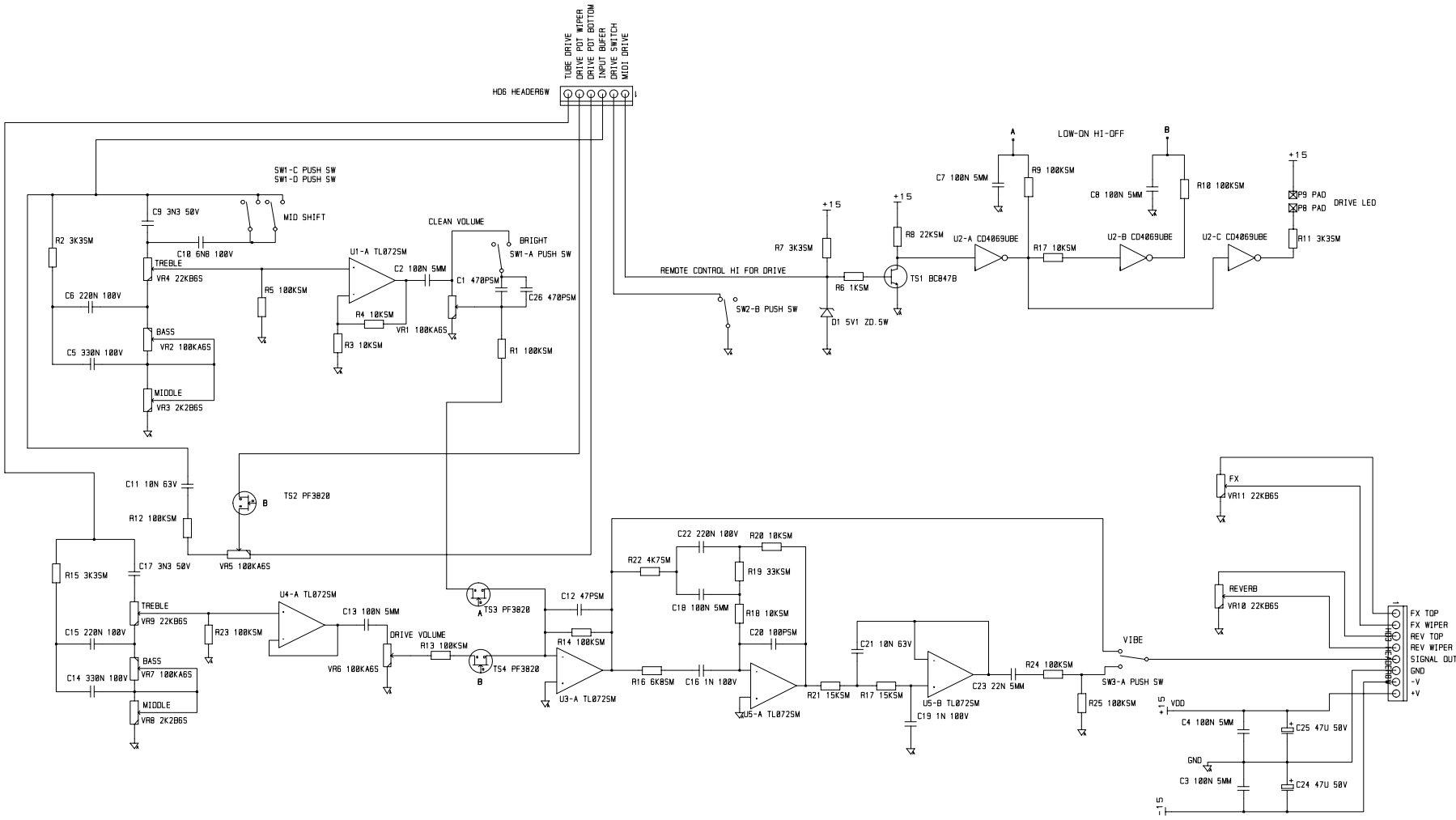
▲ INDICATES SAFETY CRITICAL COMPONENT
MUST ONLY BE REPLACED WITH APPROVED TYPE

[-FP]-FLAMEPROOF RESISTOR MUST BE REPLACED WITH SAME TYPE AND RATING

NOTE ALL SWITCHES SHOWN IN OUT POSITION
REMOTES REQUIRE HI TO CHANGE
FETS ARE OFF WHEN GATE HI

DRAWN	DEH
DATE	19/06/98

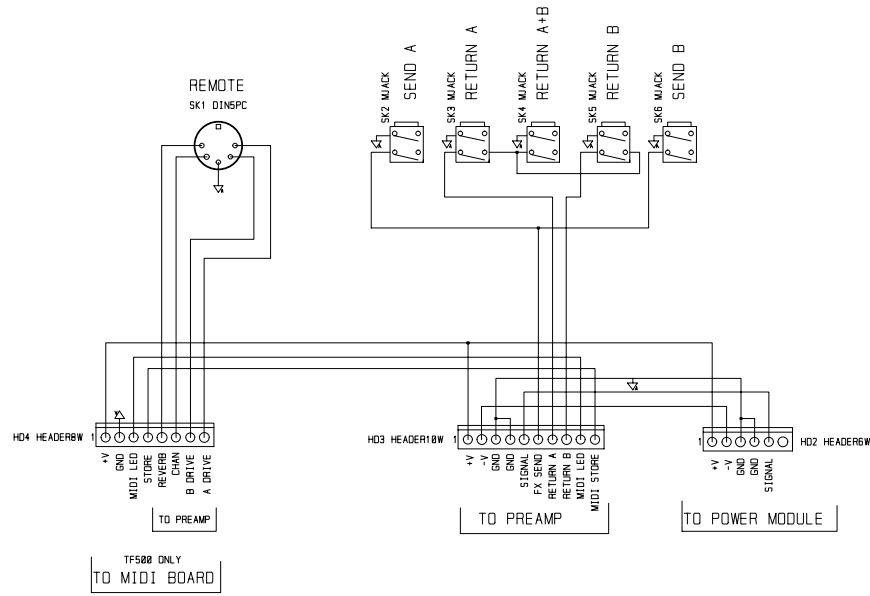
ISSUE	3 01/07/98					TITLE	TUBE FUSION TF400/500M/800 MAIN PREAMP
TYPE	R63 from 100K5M to 47K5M R65 from 330R 5W to 270R 6W					DRW. NO.	9304_3



TO PCB 9304



DRAWN	DEH
DATE	19/06/98
TITLE	TUBE FUSION TF400/500/800 CLEAN PREAMP
DRW. NO.	9305

ISSUE	2 19/06/98						
TYPE							

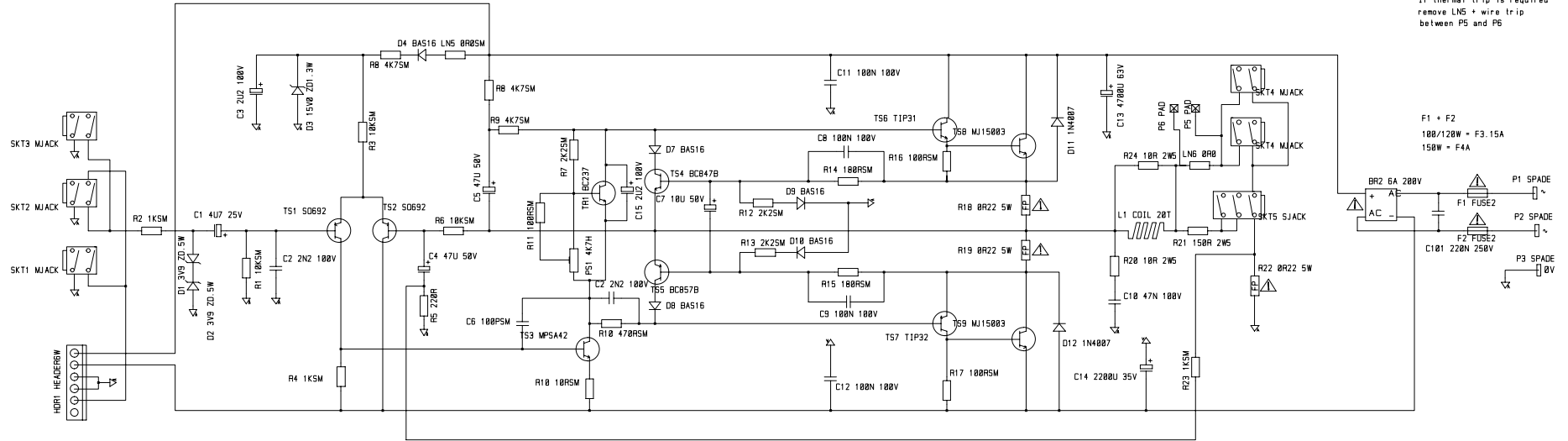


DRAWN	DEH
DATE	22/06/98
TITLE	TF400/500/800 FX I/O BOARD
DRW. NO.	9306_2

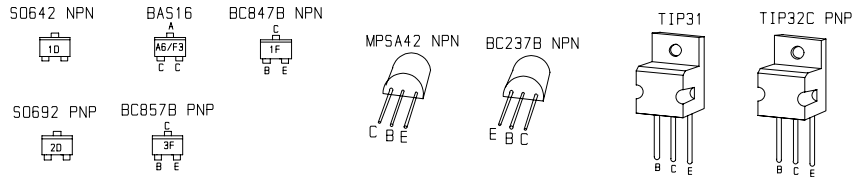
ISSUE							
TYPE							

 INDICATES SAFETY CRITICAL COMPONENT.
 MUST ONLY BE REPLACED WITH APPROVED COMPONENT.
 FLAMEPROOF RESISTOR.
 MUST ONLY BE REPLACED WITH SAME TYPE AND RATING.

If thermal trip is required
 remove LNS + wire trip
 between P5 and P6



F1 + F2
 100/120W + F3. 15A
 150W = F4A



DRAWN	R. J. F
DATE	11/3/99
TITLE	100-150W OUTPUT MODULE
DRW. NO.	9303_2

ISSUE	30/9/98 ISSUE 2	22/02/99			
TYPE	R5 FROM 100R TO 220R R23 FROM 100R TO 1K SEE CHANGE NOTE 186	R22 from 0r47 to 0r22 5WFP			