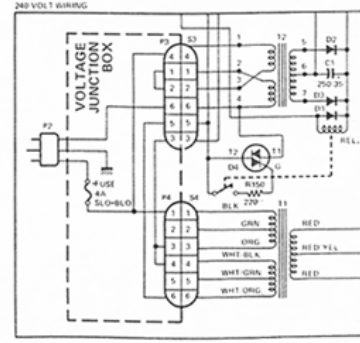
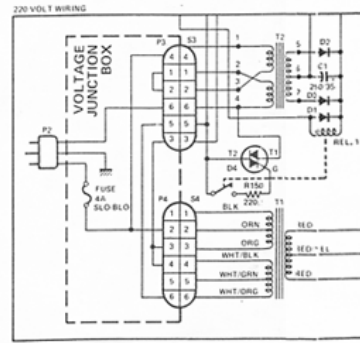
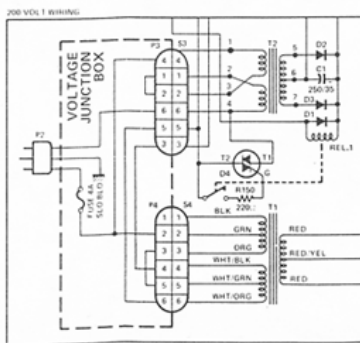
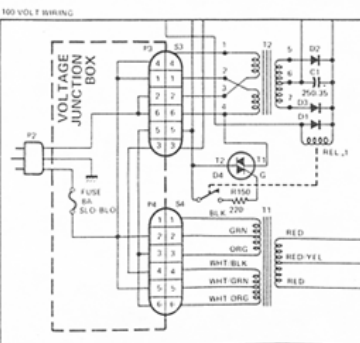
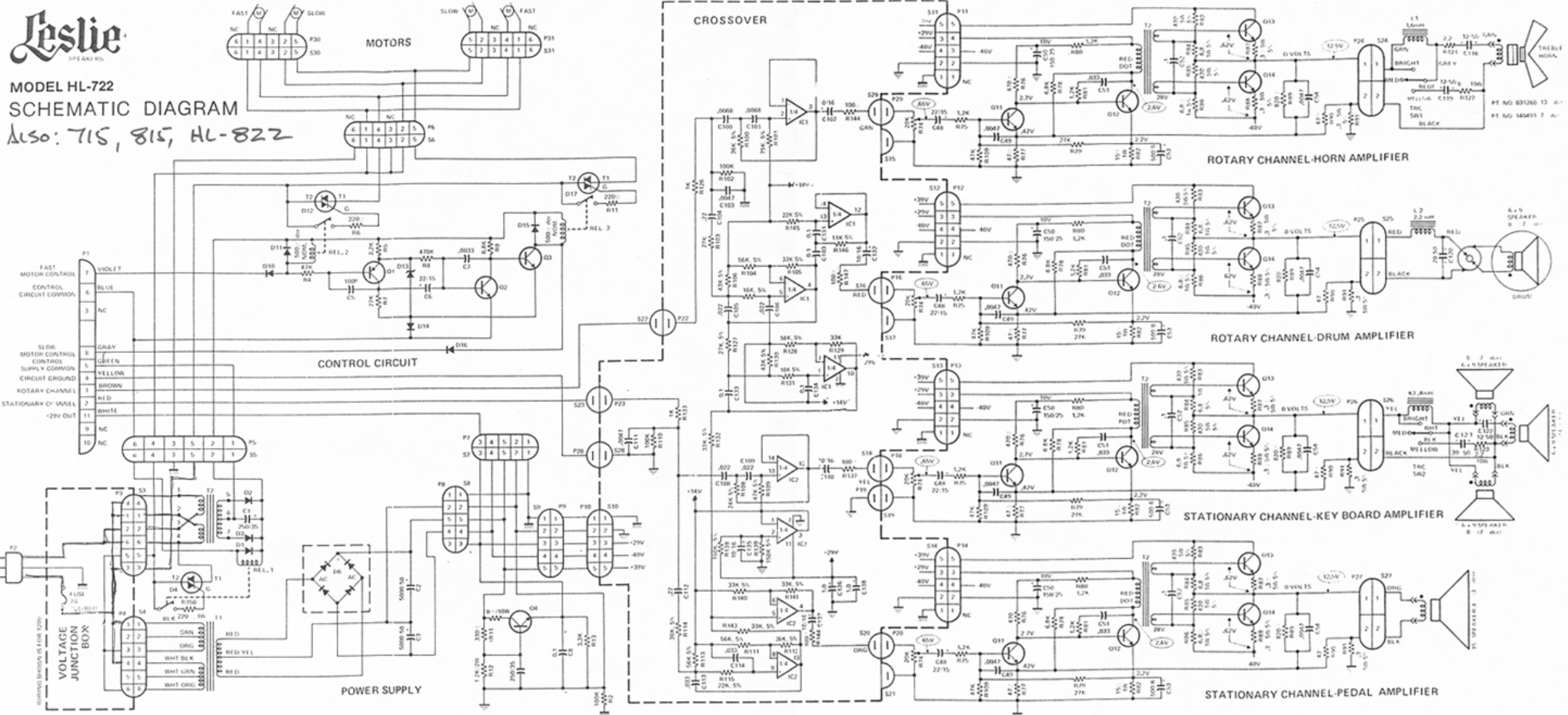


Leslie

MODEL HL-722 SCHEMATIC DIAGRAM

Also: 715, 815, HL-822



- NOTES**
- AC LINE VOLTAGE TO BE AS INDICATED
 - ALL POWER SUPPLY AND AMPIFIER HV VOLTAGES ARE REFERENCED TO CIRCUIT GROUND UNLESS OTHERWISE INDICATED
 - CONTROL CIRCUIT VOLTAGES ARE REFERENCED TO CONTROL SUPPLY COMMON (P5 - PIN 5)
 - ALL DC VOLTAGES MEASURED WITH DC VTM AT ZERO AUDIO SIGNAL
 - P3 PIN 5 SHORTED TO PIN 6 FOR ALL TEST CONDITIONS
 - SIGNAL TEST - EACH AMPLIFIER IS SEPARATELY
 - CONNECT B+ LOAD IN PLACE OF SPEAKER LOAD
 - SET R74 AT MINIMUM. APPLY APPROXIMATELY 2 VOLTS AT
 - a. 1kHz FOR ROTARY HORN AMPLIFIER
 - b. 200Hz FOR ROTARY DRUM AMPLIFIER
 - c. 1 kHz FOR STATIONARY KEYBOARD AMPLIFIER
 - d. 100Hz FOR STATIONARY PEDAL AMPLIFIER
 INPUT TO P3 PIN 2
 - FOR SIGNAL VOLTAGES NOTED - ADJUST R74 FOR 20 WATTS (12.5 VOLTS R.M.S.) ACROSS LOAD
 - ADJUST R74 FOR OUTPUT CLIPPING VOLTAGE ACROSS LOAD SHOULD BE 20 VOLTS R.M.S. MINIMUM
 - ALL RESISTORS ARE 1/2 WATT, 10% UNLESS OTHERWISE NOTED
 - GROUND SYMBOLS
 - CHASSIS GROUND
 - CIRCUIT GROUND

MOTOR MODE	P1 PIN 5		B+	Q1		Q2		Q3		P3		
	SHORTED TO	P5-2		B	C	E	B	C	E	B	C	7
OFF	PIN 6	17.2	7.2	15	.65	-.67	.12	.65	.12	17.3	17.2	17.3
SLOW	PINS 6 & 7	16.5	7.2	15	.65	-.67	.12	.65	.12	17.8	16.8	0
FAST	PINS 6 & 7	16.5	7.2	6.7	7.3	-.67	.124	.65	.124	16.5	0	16.6