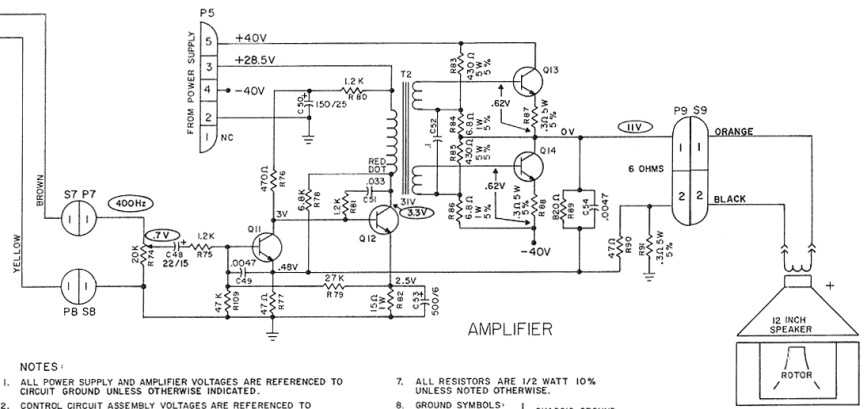
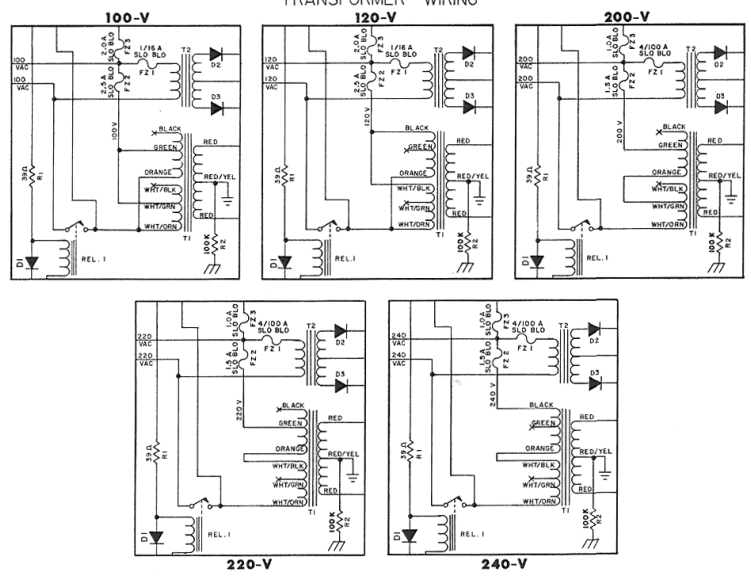
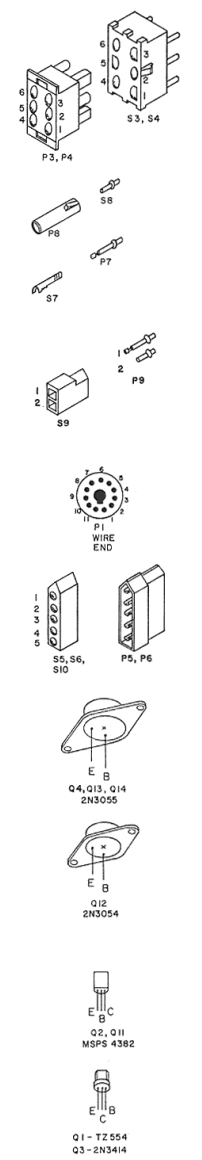


EXPORT MODELS 50/60Hz TRANSFORMER WIRING



- NOTES:**
- ALL POWER SUPPLY AND AMPLIFIER VOLTAGES ARE REFERENCED TO CIRCUIT GROUND UNLESS OTHERWISE INDICATED.
 - CONTROL CIRCUIT ASSEMBLY VOLTAGES ARE REFERENCED TO CONTROL SUPPLY COMMON (P3, PIN *1).
 - ALL DC VOLTAGES MEASURED WITH DC VTVM.
 - ZERO AUDIO SIGNAL.
 - P1, PIN *5 SHORTED TO PIN *6 FOR ALL TEST CONDITIONS.
 - SIGNAL VOLTAGE FOR 20WATTS INTO SPECIFIED LOAD.
 - ALL RESISTORS ARE 1/2-WATT 10% UNLESS NOTED OTHERWISE.
 - GROUND SYMBOLS: CHASSIS GROUND. CIRCUIT GROUND.



Schematic, LESLIE Speaker Model 820