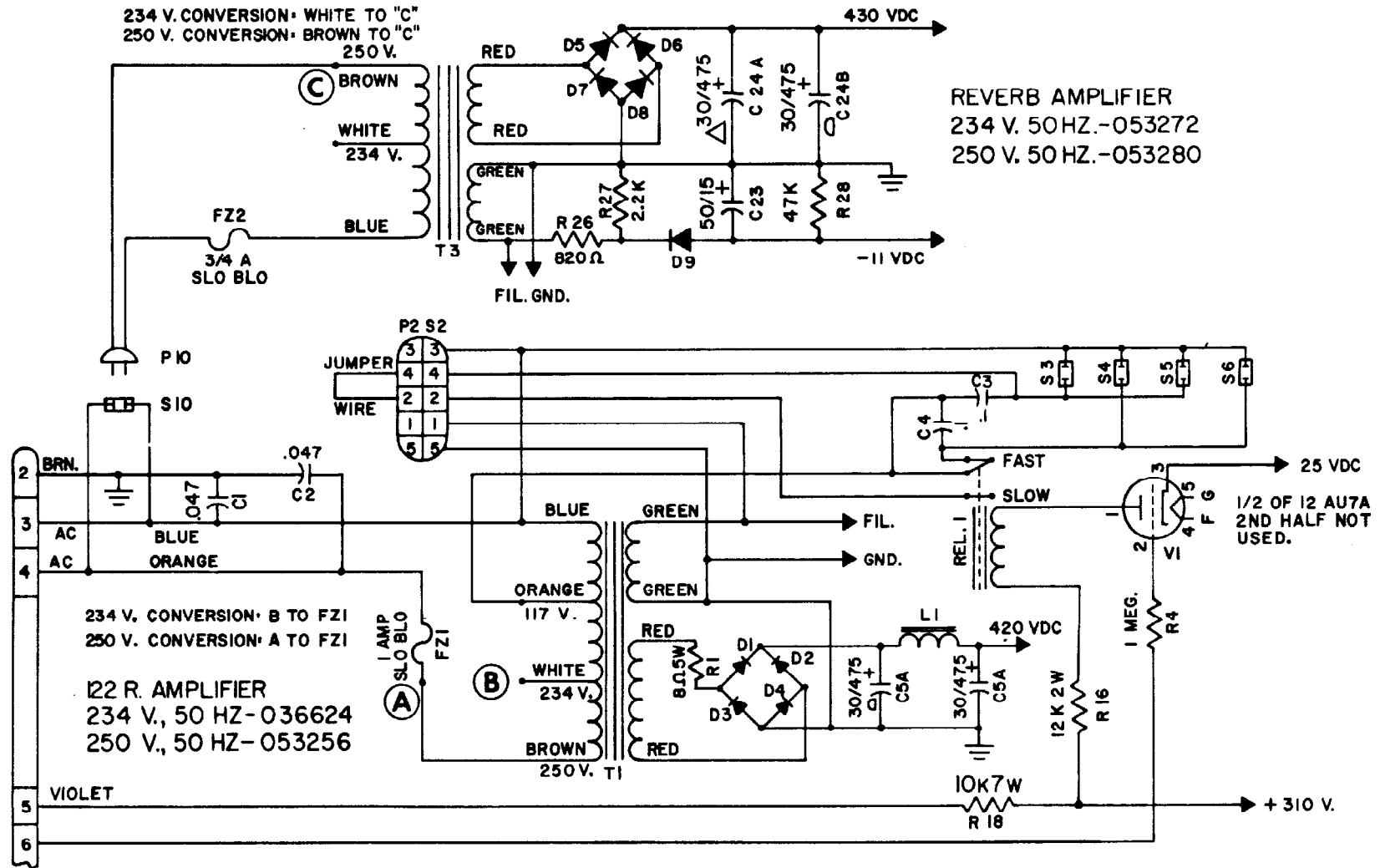


SCHEMATIC: 234/250 VOLT TYPE 122 ROTOR AND REVERB AMPLIFIERS
LESLIE



ROTOR 147 (POWER & WIRING)

Leslie

